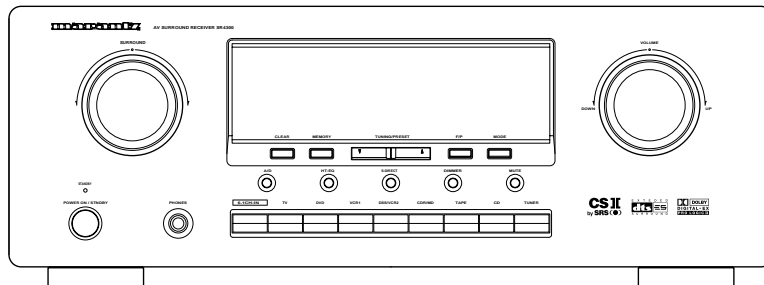


Service Manual

SR4300 /A1B/A1G/F1N/K1G
/L1G/N1B/N1G/U1B
AV Surround Receiver

SR4300 /F/U

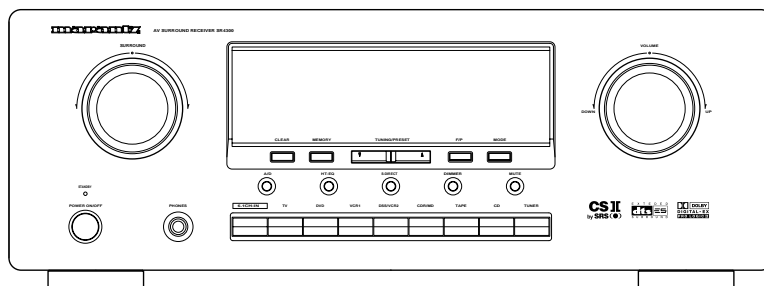


CSI
by **SRS** (S)

EXTENDED
ds ES
SURROUND

DOLBY
DIGITAL EX
PRO LOGIC II

SR4300 /A/K/L/N



SR4300

TABLE OF CONTENTS

SECTION	PAGE
1. TECHNICAL SPECIFICATIONS	1
2. WIRING DIAGRAM	5
3. BLOCK DIAGRAM	7
4. SCHEMATIC DIAGRAM	9
5. PARTS LOCATION	31
6. IC DATA	45
7. EXPLODED VIEW AND PARTS LIST	51
8. SERVICE PROCEDURE	55
9. ELECTRICAL PARTS LIST	58

Please use this service manual with referring to the user guide (D.F.U.) without fail.

修理の際は、必ず取扱説明書を準備し操作方法を確認の上作業を行ってください。

marantz®

SR4300

MARANTZ DESIGN AND SERVICE

Using superior design and selected high grade components, **MARANTZ** company has created the ultimate in stereo sound. Only original **MARANTZ** parts can insure that your **MARANTZ** product will continue to perform to the specifications for which it is famous.

Parts for your **MARANTZ** equipment are generally available to our National Marantz Subsidiary or Agent.

ORDERING PARTS :

Parts can be ordered either by mail or by Fax.. In both cases, the correct part number has to be specified.

The following information must be supplied to eliminate delays in processing your order :

1. Complete address
2. Complete part numbers and quantities required
3. Description of parts
4. Model number for which part is required
5. Way of shipment
6. Signature : any order form or Fax. must be signed, otherwise such part order will be considered as null and void.

USA

MARANTZ AMERICA, INC
1100 MAPLEWOOD DRIVE
ITASCA, IL. 60143
USA
PHONE : 630 - 741 - 0300
FAX : 630 - 741 - 0301

EUROPE / TRADING

MARANTZ EUROPE B.V.
P. O. BOX 8744, BUILDING SILVERPOINT
BEEMDSTRAAT 11, 5653 MA EINDHOVEN
THE NETHERLANDS
PHONE : +31 - 40 - 2507844
FAX : +31 - 40 - 2507860

CANADA

LENBROOK INDUSTRIES LIMITED
633 GRANITE COURT,
PICKERING, ONTARIO L1W 3K1
CANADA
PHONE : 905 - 831 - 6333
FAX : 905 - 831 - 6936

PROFESSIONAL AMERICAS

SUPERSCOPE TECHNOLOGIES, INC.
MARANTZ PROFESSIONAL PRODUCTS
2640 WHITE OAK CIRCLE, SUITE A
AURORA, ILLINOIS 60504 USA
PHONE : 630 - 820 - 4800
FAX : 630 - 820 - 8103

PROFESSIONAL AUSTRALIA

TECHNICAL AUDIO GROUP PTY, LTD
558 DARLING STREET,
BALMAIN, NSW 2041,
AUSTRALIA
PHONE : 61 - 2 - 9810 - 5300
FAX : 61 - 2 - 9810 - 5355

PROFESSIONAL HONG KONG

Jolly ProAudio Broadcast Engineering Ltd.
UNIT 2, 10F, WAH HUNG CENTRE,
41 HUNG TO ROAD, KWUN TONG, KLN.,
HONG KONG
PHONE : 852 - 21913660
FAX : 852 - 21913990

AUSTRALIA

QualiFi Pty Ltd,
24 LIONEL ROAD,
MT. WAVERLEY VIC 3149
AUSTRALIA
PHONE : +61 - (0)3 - 9543 - 1522
FAX : +61 - (0)3 - 9543 - 3677

THAILAND

MRZ STANDARD CO., LTD
746 - 754 MAHACHAI ROAD.,
WANGBURAPAPIROM, PHRANAKORN,
BANGKOK, 10200 THAILAND
PHONE : +66 - 2 - 222 9181
FAX : +66 - 2 - 224 6795

SINGAPORE

WO KEE HONG DISTRIBUTION PTE LTD
130 JOO SENG ROAD
#03-02 OLIVINE BUILDING
SINGAPORE 368357
PHONE : +65 6858 5535 / +65 6381 8621
FAX : +65 6858 6078

NEW ZEALAND

WILDASH AUDIO SYSTEMS NZ
14 MALVERN ROAD MT ALBERT
AUCKLAND NEW ZEALAND
PHONE : +64 - 9 - 8451958
FAX : +64 - 9 - 8463554

TAIWAN

PAI- YUING CO., LTD.
6 TH FL NO, 148 SUNG KIANG ROAD,
TAIPEI, 10429, TAIWAN R.O.C.
PHONE : +886 - 2 - 25221304
FAX : +886 - 2 - 25630415

MALAYSIA

WO KEE HONG ELECTRONICS SDN. BHD.
2ND FLOOR BANGUNAN INFINITE CENTRE
LOT 1, JALAN 13/6, 46200 PETALING JAYA
SELANGOR DARUL EHSAN, MALAYSIA
PHONE : +60 - 3 - 7954 8088
FAX : +60 - 3 - 7954 7088

JAPAN Technical

MARANTZ JAPAN, INC.
35- 1, 7- CHOME, SAGAMIONO
SAGAMIHARA - SHI, KANAGAWA
JAPAN 228-8505
PHONE : +81 42 748 1013
FAX : +81 42 741 9190

日本マランツ株式会社

本社 〒228-8505
神奈川県相模原市相模大野7-35-1
営業本部 〒150-0022
東京都渋谷区恵比寿南1-11-9

KOREA

MK ENTERPRISES LTD.
ROOM 604/605, ELECTRO-OFFICETEL, 16-58,
3GA, HANGANG-RO, YONGSAN-KU, SEOUL
KOREA
PHONE : +822 - 3232 - 155
FAX : +822 - 3232 - 154

SHOCK, FIRE HAZARD SERVICE TEST :

CAUTION : After servicing this appliance and prior to returning to customer, measure the resistance between either primary AC cord connector pins (with unit NOT connected to AC mains and its Power switch ON), and the face or Front Panel of product and controls and chassis bottom.

Any resistance measurement less than 1 Megohms should cause unit to be repaired or corrected before AC power is applied, and verified before it is return to the user/customer.

Ref. UL Standard No. 6500.

In case of difficulties, do not hesitate to contact the Technical Department at above mentioned address.

1. TECHNICAL SPECIFICATIONS

FM TUNER SECTION

Frequency Range	76.0 - 90.0 MHz/(F)
.....	87.5 - 108.0 MHz/(K/L/N/U)
Usable Sensitivity	IHF 1.8 μ V/16.4 dB
Signal to Noise Ratio	Mono/Stereo 76/72 dB
Distortion	Mono/Stereo 0.2/0.3 %
Stereo Separation	1 kHz 45 dB
Alternate Channel Selectivity	\pm 400 kHz 60 dB/(F)
.....	\pm 300 kHz 60 dB/(K/L/N/U)
Image Rejection	83 MHz 70 dB/(F)
.....	98 MHz 70 dB/(K/L/N/U)
Tuner Output Level	1 kHz, \pm 75 kHz Dev800 mV/(F/U)
.....	1 kHz, \pm 40 kHz Dev800 mV/(K/L/N)

AM TUNER SECTION

Frequency Range	531 - 1602 kHz/(F/K/L/N)
.....	520 - 1710 kHz/(U)
Signal to Noise Ratio	50 dB
Usable Sensitivity	Loop 500 μ V/m
Distortion	1 kHz, 30 % Mod. 0.5 %/(F)
.....	400 Hz, 30 % Mod. 0.5 %/(K/L/N/U)
Selectivity	\pm 20 kHz 70 dB/(F)
.....	\pm 18 kHz 70 dB/(K/L/N/U)

AUDIO SECTION

Power Output (20Hz - 20kHz / THD=0.08%)	
Front L&R	8 Ω 80 W/Ch
Center	8 Ω 80 W/Ch
Surround L&R	8 Ω 80 W/Ch
Surround Back	8 Ω 80 W/Ch
Front L&R	6 Ω 95 W/Ch
Center	6 Ω 95 W/Ch
Surround L&R	6 Ω 95 W/Ch
Surround Back	6 Ω 95 W/Ch
Maximum Power Output (1kHz / JEITA)	
Front L&R	6 Ω 125 W/Ch
Center	6 Ω 125 W/Ch
Surround L&R	6 Ω 125 W/Ch
Surround Back	6 Ω 125 W/Ch
Input Sensitivity/Impedance	215 mV/ 47 k Ω
Signal to Noise Ratio (Analog Input/Source Direct)	95 dB
Frequency Response	
(Analog Input/Source Direct)	8 Hz - 70 kHz(\pm 3dB)
(Digital Input/96kHz PCM)	8 Hz - 45 kHz(\pm 3dB)

VIDEO SECTION

Television Format	NTSC/(F/U)
.....	NTSC/PAL/(K/L/N)
Input Level/Impedance	1 Vp-p/ 75 Ω
Output Level/Impedance	1 Vp-p/ 75 Ω
Video Frequency Response	5 Hz - 8 MHz (- 1 dB)
Signal to Noise Ratio	60 dB

GENERAL

Power Requirement	AC 100 V 50/60 Hz/(F)
.....	AC 220 V 50/60 Hz/(K)
.....	AC 110 V 60 Hz/(L)
.....	AC 230 V 50 Hz/(N)
.....	AC 120 V 60 Hz/(U)
Power Consumption	320 W/(F)
.....	325 W/(K/L/N/U)
Weight	12.5 Kg(27.6 lbs)

ACCESSORIES

Remote Control Unit RC4300SR	1
AAA-size batteries	2
FM Antenna	1
AM Loop Antenna	1
AC Power Cord	1

The relation between the selected surround mode and the input signal

The surround mode is selected with the surround mode knob on SR4300 or the remote control unit. However, the sound you hear is subject to the relationship between the selected surround mode and input signal. That relationship is as follows;

Surround Mode	Input Signal	Decoding	Output Channel					Front information display		
			L/R	C	SL SR	SB	SW	Dot matrix display	Signal format indicators	Channel status
AUTO	Dolby Surr. EX	Dolby Digital EX	○	○	○	○	○	DOLBY D EX	☐ DIGITAL, EX	L, C, R, SL, SR, S, LFE
	Dolby D (5.1ch)	Dolby Digital 5.1	○	○	○	-	○	DOLBY D	☐ DIGITAL	L, C, R, SL, SR, LFE
	Dolby D (2ch)	Dolby Digital 2.0	○	-	-	-	-	DOLBY D	☐ DIGITAL	L, R
	Dolby D (2ch Surr)	Pro LogicII movie	○	○	○	-	-	DOLBY PL II MV	☐ DIGITAL, ☐ SURROUND	L, R, S
	DTS-ES	DTS-ES	○	○	○	○	○	DTS ES	dts, ES	L, C, R, SL, SR, S, LFE
	DTS (5.1ch)	DTS 5.1	○	○	○	-	○	DTS	dts	L, C, R, SL, SR, LFE
	PCM (Audio)	PCM (Stereo)	○	-	-	-	-	STEREO	PCM	L, R
	PCM 96kHz	PCM (96kHz Stereo)	○	-	-	-	-	STEREO	PCM, 96kHz	L, R
	Analog	Stereo	○	-	-	-	-	STEREO	ANALOG	-
S-DIRECT	Dolby D Surr. EX	Dolby Digital EX	○	○	○	○	○	DOLBY D EX	☐ DIGITAL, EX	L, C, R, SL, SR, S, LFE
	Dolby D (5.1ch)	Dolby Digital 5.1	○	○	○	-	○	DOLBY D	☐ DIGITAL	L, C, R, SL, SR, LFE
	Dolby D (2ch)	Dolby Digital 2.0	○	-	-	-	-	DOLBY D	☐ DIGITAL	L, R
	Dolby D (2ch Surr)	Pro LogicII movie	○	○	○	-	-	DOLBY PL II MV	☐ DIGITAL, ☐ SURROUND	L, R, S
	DTS-ES	DTS-ES	○	○	○	○	○	DTS ES	dts, ES	L, C, R, SL, SR, S, LFE
	DTS (5.1ch)	DTS 5.1	○	○	○	-	○	DTS	dts	L, C, R, SL, SR, LFE
	PCM (Audio)	PCM (Stereo)	○	-	-	-	-	STEREO	PCM	L, R
	PCM 96kHz	PCM (96kHz Stereo)	○	-	-	-	-	STEREO	PCM, 96kHz	L, R
	Analog	Stereo	○	-	-	-	-	STEREO	ANALOG	-
EX/ES	Dolby D Surr. EX	Dolby Digital EX	○	○	○	○	○	DOLBY D EX	☐ DIGITAL, EX	L, C, R, SL, SR, S, LFE
	Dolby D (5.1ch)	Dolby Digital EX	○	○	○	○	○	DOLBY D EX	☐ DIGITAL	L, C, R, SL, SR, LFE
	DTS-ES	DTS-ES	○	○	○	○	○	DTS ES	dts, ES	L, C, R, SL, SR, S, LFE
	DTS (5.1ch)	DTS-ES	○	○	○	○	○	DTS ES	dts	L, C, R, SL, SR, LFE
DOLBY (PLII MOVIE) (PLII MUSIC) (PRO LOGIC)	Dolby D Surr. EX	Dolby Digital 5.1	○	○	○	-	○	DOLBY D	☐ DIGITAL, EX	L, C, R, SL, SR, S, LFE
	Dolby D (5.1ch)	Dolby Digital 5.1	○	○	○	-	○	DOLBY PLII MS	☐ DIGITAL	L, C, R, SL, SR, LFE
	Dolby D (2ch)	Pro LogicII	○	○	○	-	-	DOLBY PL	☐ DIGITAL	L, R
	Dolby D (2ch Surr)	Pro LogicII	○	○	○	-	-	or DOLBY PLII MV or DOLBY PLII MS	☐ DIGITAL, ☐ SURROUND	L, R, S
	PCM (Audio)	Pro LogicII	○	○	○	-	-		PCM	L, R
	Analog	Pro LogicII	○	○	○	-	-		ANALOG	-
DTS (Neo:6 Cinema) (Neo:6 Music)	DTS-ES	DTS 5.1	○	○	○	-	○	DTS ES	dts, ES	L, C, R, SL, SR, S, LFE
	DTS (5.1ch)	DTS 5.1	○	○	○	-	○	DTS	dts	L, C, R, SL, SR, LFE
	PCM (Audio)	Neo:6	○	○	○	-	-	NEO 6 CINEMA or NEO 6 MUSIC	PCM	L, R
	Analog	Neo:6	○	○	○	-	-		ANALOG	L, R
CSII CINEMA CSII MUSIC CSII MONO	PCM (Audio)	CSII	○	○	○	○	○	CSII CINEMA or CSII MUSIC or CSII MONO	PCM	L, R
	Analog	CSII	○	○	○	○	○		ANALOG	-
STEREO	Dolby Surr. EX	Stereo	○	-	-	-	○	STEREO	☐ DIGITAL, EX	L, C, R, SL, SR, S, LFE
	Dolby D (5.1ch)	Stereo	○	-	-	-	○	STEREO	☐ DIGITAL	L, C, R, SL, SR, LFE
	Dolby D (2ch)	Stereo	○	-	-	-	-	STEREO	☐ DIGITAL	L, R
	Dolby D (2ch Surr)	Stereo	○	-	-	-	-	STEREO	☐ DIGITAL, ☐ SURROUND	L, R, S
	DTS-ES	Stereo	○	-	-	-	○	STEREO	dts, ES	L, C, R, SL, SR, S, LFE
	DTS (5.1ch)	Stereo	○	-	-	-	○	STEREO	dts	L, C, R, SL, SR, LFE
	PCM (Audio)	Stereo	○	-	-	-	-	STEREO	PCM	L, R
	PCM 96kHz	Stereo	○	-	-	-	-	STEREO	PCM, 96kHz	L, R
		Analog	Stereo	○	-	-	-	-	STEREO	ANALOG
VIRTUAL	Dolby Surr. EX	Virtual	○	-	-	-	-	VIRTUAL	☐ DIGITAL, EX	L, C, R, SL, SR, S, LFE
	Dolby D (5.1ch)	Virtual	○	-	-	-	-	VIRTUAL	☐ DIGITAL	L, C, R, SL, SR, LFE
	Dolby D (2ch)	Virtual	○	-	-	-	-	VIRTUAL	☐ DIGITAL	L, R
	Dolby D (2ch Surr)	Virtual	○	-	-	-	-	VIRTUAL	☐ DIGITAL, ☐ SURROUND	L, R, S
	DTS-ES	Virtual	○	-	-	-	-	VIRTUAL	dts, ES	L, C, R, SL, SR, S, LFE
	DTS (5.1ch)	Virtual	○	-	-	-	-	VIRTUAL	dts	L, C, R, SL, SR, LFE
	PCM (Audio)	Virtual	○	-	-	-	-	VIRTUAL	PCM	L, R
		Analog	Virtual	○	-	-	-	-	VIRTUAL	ANALOG
MULTI CH ST	Dolby Surr. EX	Dolby Digital EX	○	○	○	○	○	M-CH STEREO	☐ DIGITAL, EX	L, C, R, SL, SR, S, LFE
	Dolby D (5.1ch)	Dolby Digital 5.1	○	○	○	-	○	M-CH STEREO	☐ DIGITAL	L, C, R, SL, SR, LFE
	Dolby D (2ch)	Multi Channel Stereo	○	○	○	-	-	M-CH STEREO	☐ DIGITAL	L, R
	Dolby D (2ch Surr)	Multi Channel Stereo	○	○	○	-	-	M-CH STEREO	☐ DIGITAL, ☐ SURROUND	L, R, S
	DTS-ES	DTS-ES	○	○	○	○	○	M-CH STEREO	dts, ES	L, C, R, SL, SR, S, LFE
	DTS (5.1ch)	DTS 5.1	○	○	○	-	○	M-CH STEREO	dts	L, C, R, SL, SR, LFE
	PCM (Audio)	Multi Channel Stereo	○	○	○	-	-	M-CH STEREO	PCM	L, R
		Analog	Multi Channel Stereo	○	○	○	-	-	M-CH STEREO	ANALOG
DSP SURROUND (MOVIE) (HALL) (STADIUM) (MATRIX)	PCM (Audio)	DSP	○	○	○	-	-	MOVIE or HALL or STADIUM or MATRIX	PCM	L, R
	Analog	DSP	○	○	○	-	-		ANALOG	-

Dolby Surr.EX: Dolby Digital stream with Surround EX flag

DTS-ES: DTS digital stream with ES flag.

Dolby D(2ch Surr) : 2channel Dolby Digital stream with Dolby Surround flag

L/R = Front Left and Right speakers

C = Center speaker

SL/SR = Surround Left and Right speakers

SB = Surround back speaker

SW = Sub woofer speaker

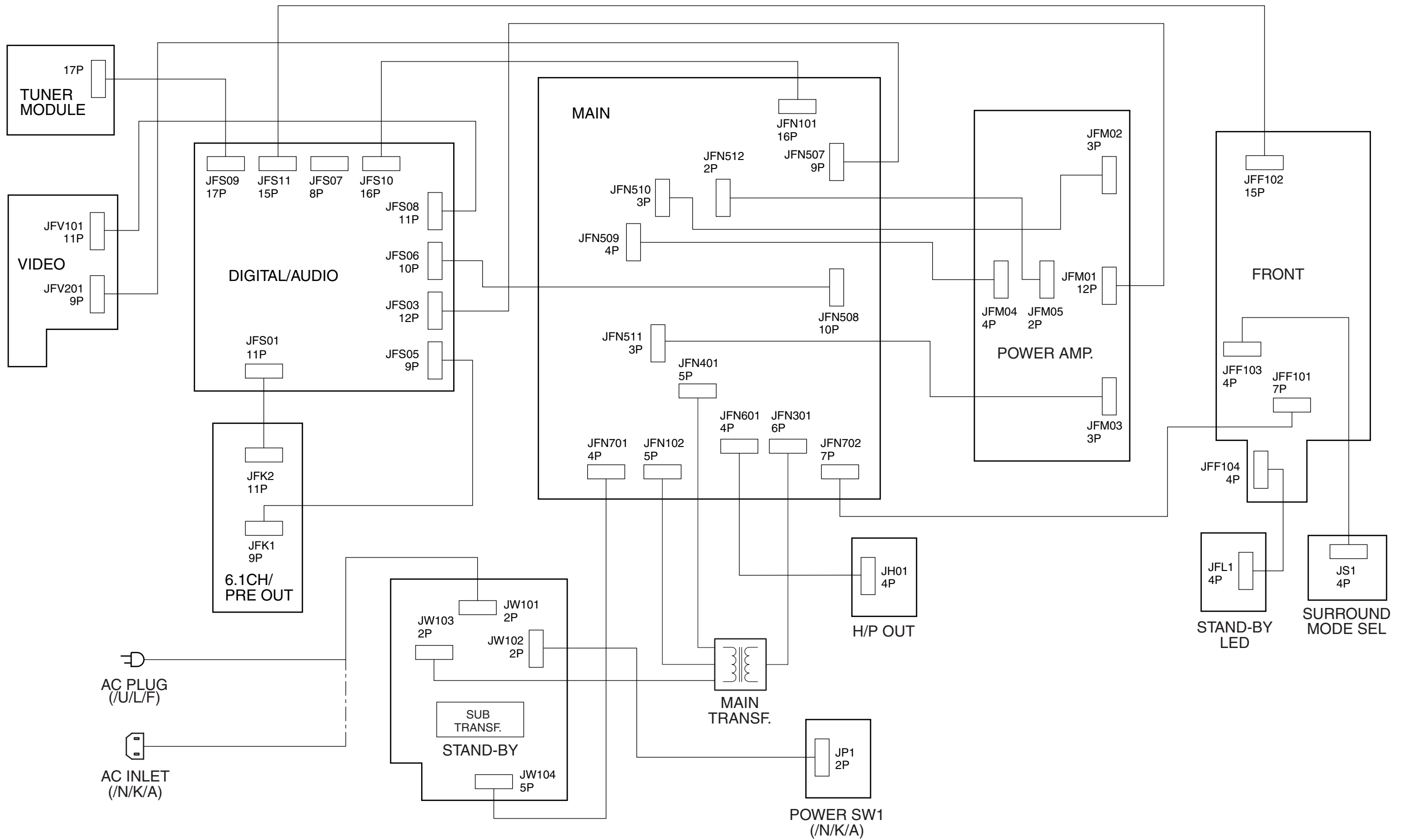
Bass signal output from Sub Woofer terminal for SR4300

*Stereo decode : SPK SETUP - BASS MIX : BOTH set

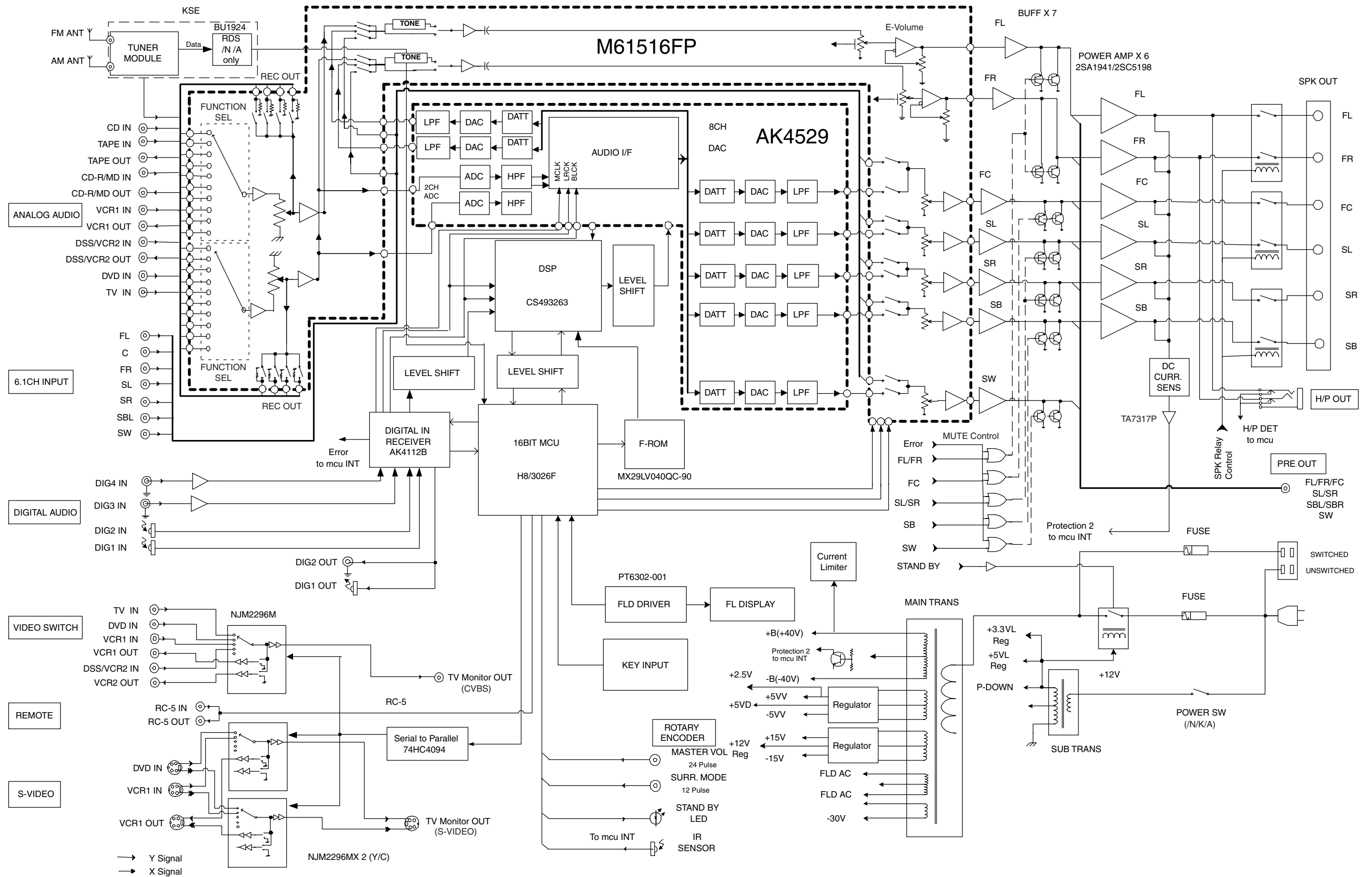
SPK setup					Subwoofer Output by Decoded mode								
Sub Woofer	Front	Center	Surr. L/R	Surr.B (L/R)	DD EX DTS mES, dES	Dolby(AC-3 ≠ 2ch) DTS	PL II ,Neo6	CS II	Stereo (PCM:Auto)	Virtual (Main spk L fix)			
Yes	Large	Large	Large	Large	LFE	LFE	none	L+R	L+R	no output			
				None	no suuound mode	↓	↓	↓	↓	↓	↓		
				Small	LFE+SL+SR+Sb	LFE+SL+SR	↓	↓	↓	↓	↓	↓	
			None	no suuound mode	↓	↓	↓	↓	↓	↓	↓		
			None	no suuound mode	LFE	↓	↓	↓	↓	↓	↓		
			(prohibit)	no suuound mode	↓	↓	↓	↓	↓	↓	↓		
		Small	Large	Large	Large	LFE+C	LFE+C	C	L+R	L+R	no output		
					None	no suuound mode	↓	↓	↓	↓	↓	↓	
					Small	LFE+C+SL+SR+Sb	LFE+C+SL+SR	↓	↓	↓	↓	↓	↓
			Small	Small	Small	Small	LFE+C+SL+SR+Sb	LFE+C+SL+SR	↓	↓	↓	↓	
						None	no suuound mode	↓	↓	↓	↓	↓	↓
						None	no suuound mode	LFE+C	↓	↓	↓	↓	↓
	None	Large	Large	Large	LFE	LFE	none	L+R	L+R	no output			
				None	no suuound mode	↓	↓	↓	↓	↓	↓		
				Small	LFE+SL+SR+Sb	LFE+SL+SR	↓	↓	↓	↓	↓	↓	
		Small	Small	None	Small	LFE+SL+SR+Sb	LFE+SL+SR	↓	↓	↓	↓		
None					no suuound mode	↓	↓	↓	↓	↓	↓		
None					no suuound mode	LFE	↓	↓	↓	↓	↓	↓	
Small	Large	Large	Large	LFE+L+R	LFE+L+R	L+R	L+R	L+R	no output				
			None	no suuound mode	↓	↓	↓	↓	↓	↓			
			Small	LFE+L+R+SL+SR+Sb	LFE+L+R+SL+SR	↓	↓	↓	↓	↓	↓		
	Small	Small	None	Small	LFE+L+R+SL+SR+Sb	LFE+L+R+SL+SR	↓	↓	↓	↓			
				None	no suuound mode	↓	↓	↓	↓	↓	↓		
				None	no suuound mode	LFE+L+R	↓	↓	↓	↓	↓	↓	
None	Large	Large	Large	LFE+L+R	LFE+L+R	L+R+C	L+R	L+R	no output				
			None	no suuound mode	↓	↓	↓	↓	↓	↓			
			Small	LFE+L+R+SL+SR+Sb	LFE+L+R+SL+SR	↓	↓	↓	↓	↓	↓		
	Small	Small	None	Small	LFE+L+R+SL+SR+Sb	LFE+L+R+SL+SR	↓	↓	↓	↓			
				None	no suuound mode	↓	↓	↓	↓	↓	↓		
				None	no suuound mode	LFE+L+R+C	↓	↓	↓	↓	↓	↓	
None	Large	Large	Large	LFE+L+R	LFE+L+R	L+R	L+R	L+R	no output				
			None	no suuound mode	↓	↓	↓	↓	↓	↓			
			Small	LFE+L+R+SL+SR+Sb	LFE+L+R+SL+SR	↓	↓	↓	↓	↓	↓		
	Small	Small	None	Small	LFE+L+R+SL+SR+Sb	LFE+L+R+SL+SR	↓	↓	↓	↓			
				None	no suuound mode	↓	↓	↓	↓	↓	↓		
				None	no suuound mode	LFE+L+R	↓	↓	↓	↓	↓	↓	
None	None	None	None	no suuound mode	No output								

-MEMO-

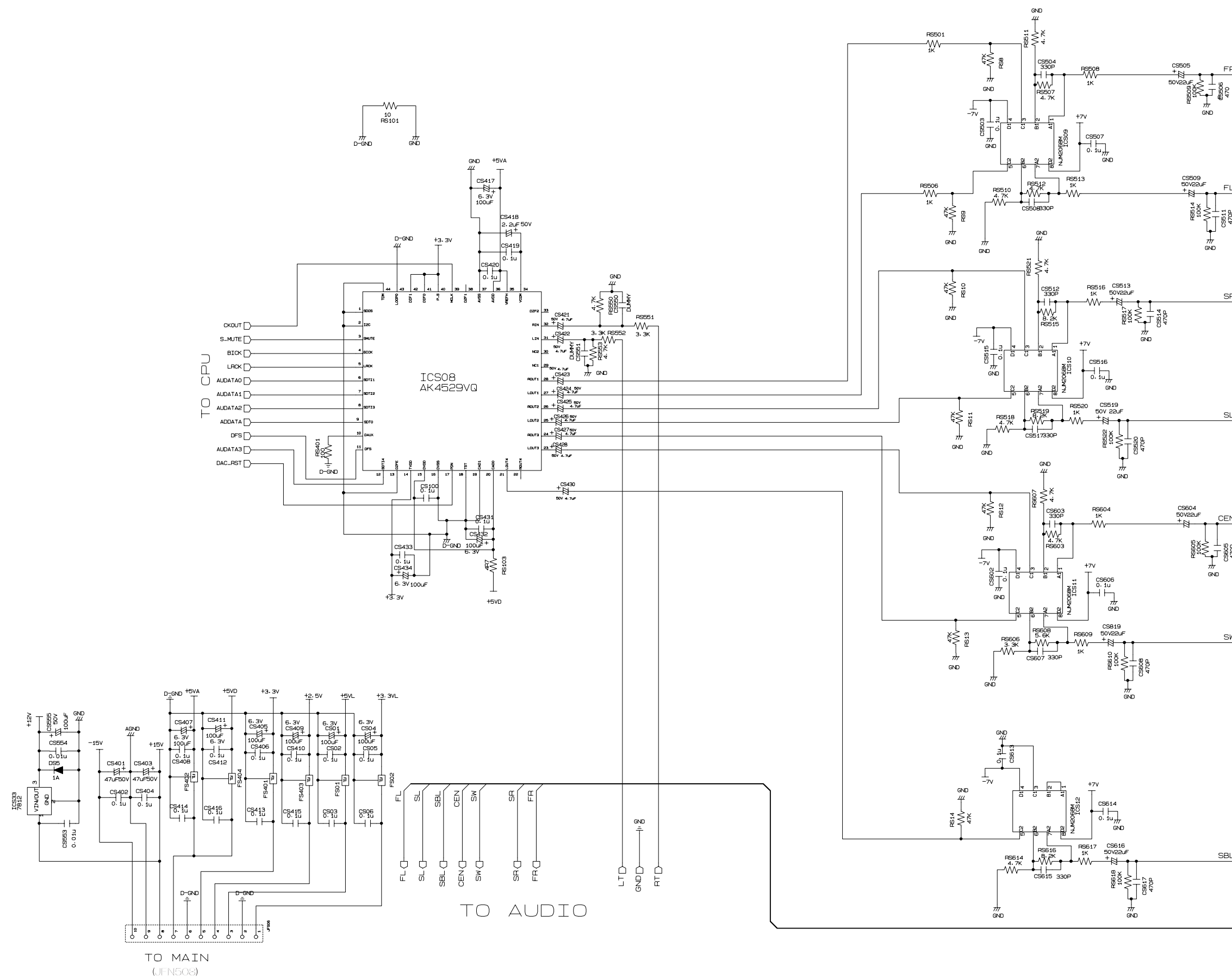
2. WIRING DIAGRAM



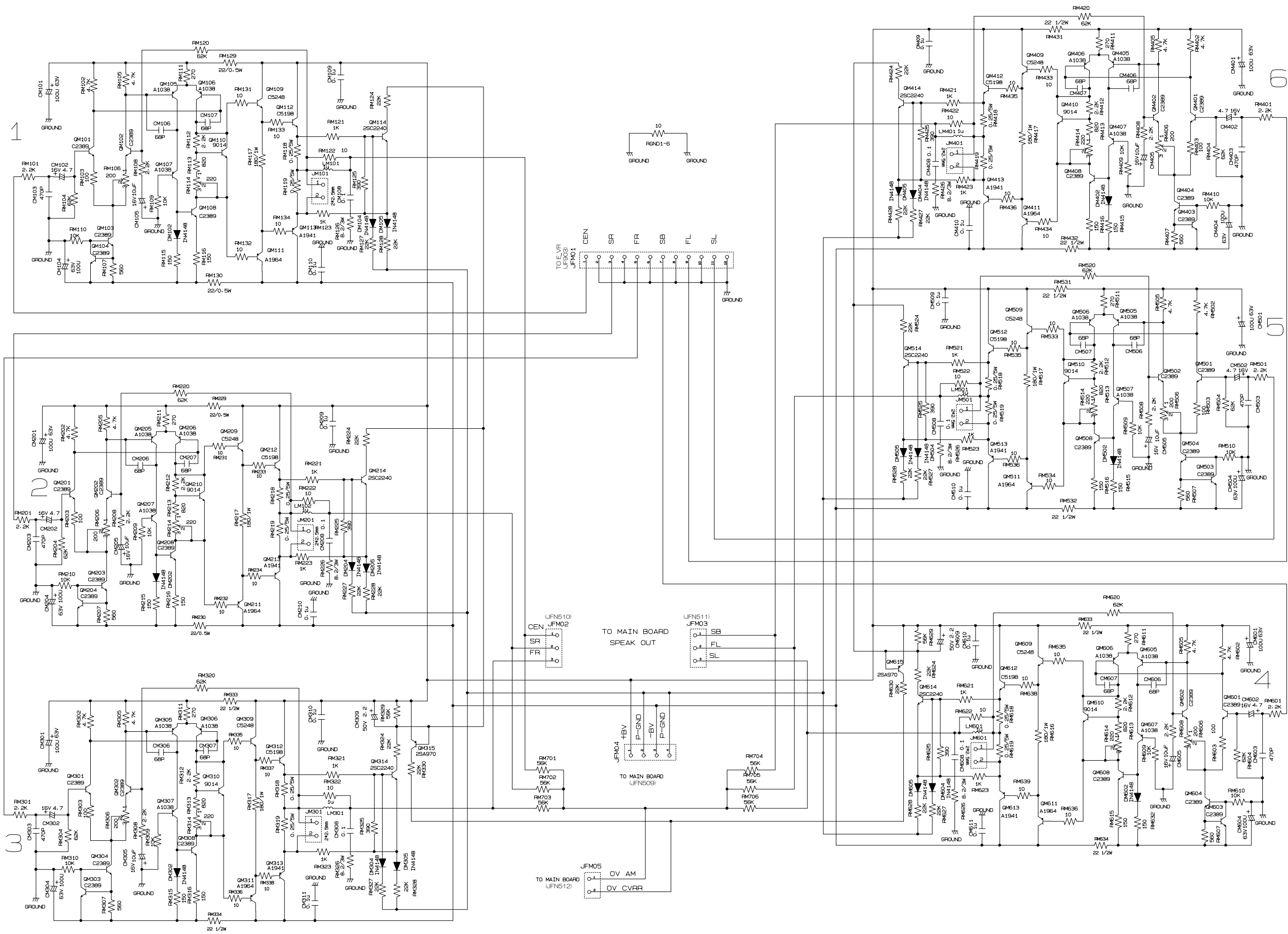
3. BLOCK DIAGRAM



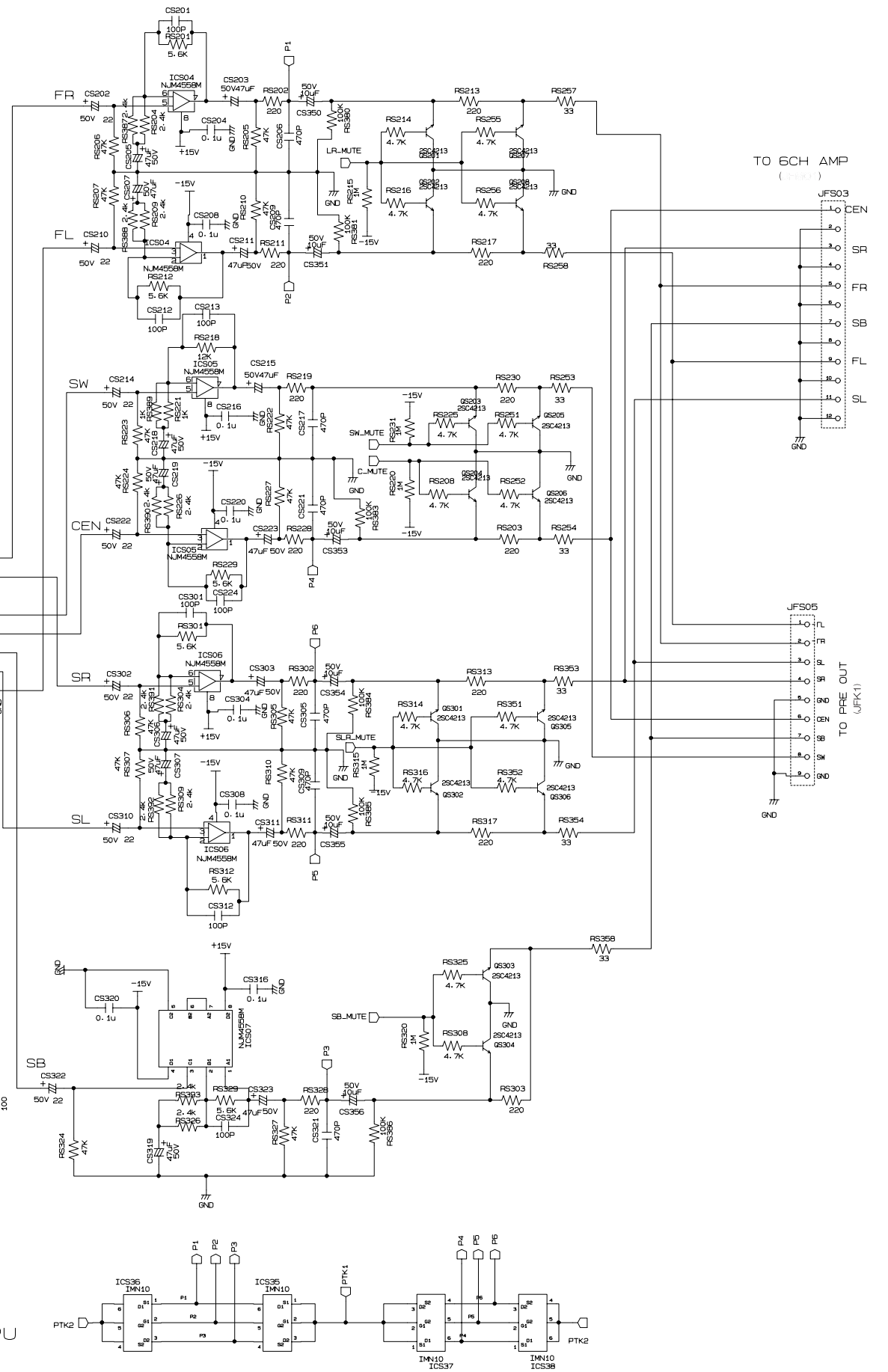
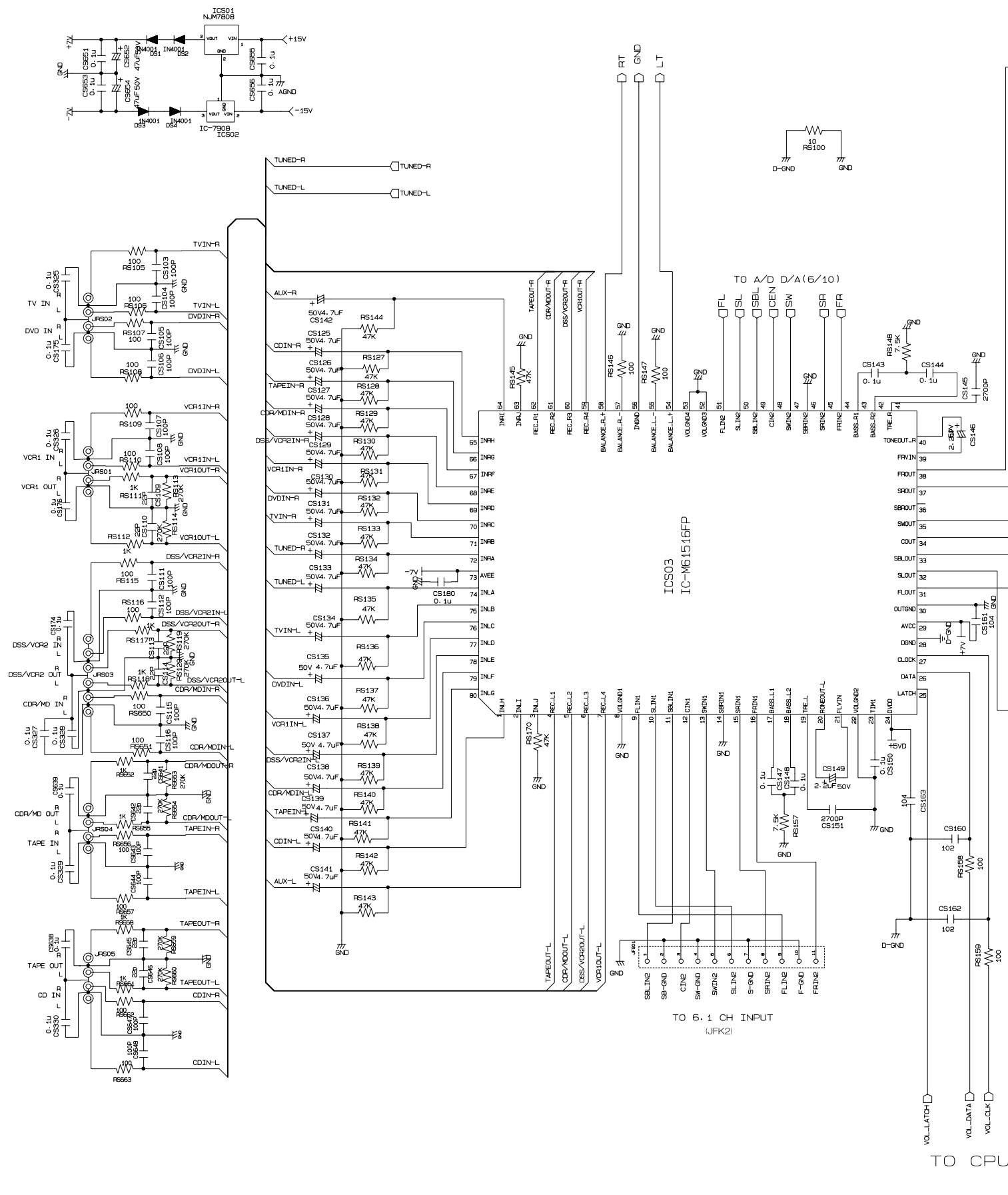
4. SCHEMATIC DIAGRAM
DIGITAL / AUDIO PCB
(AD/DA)



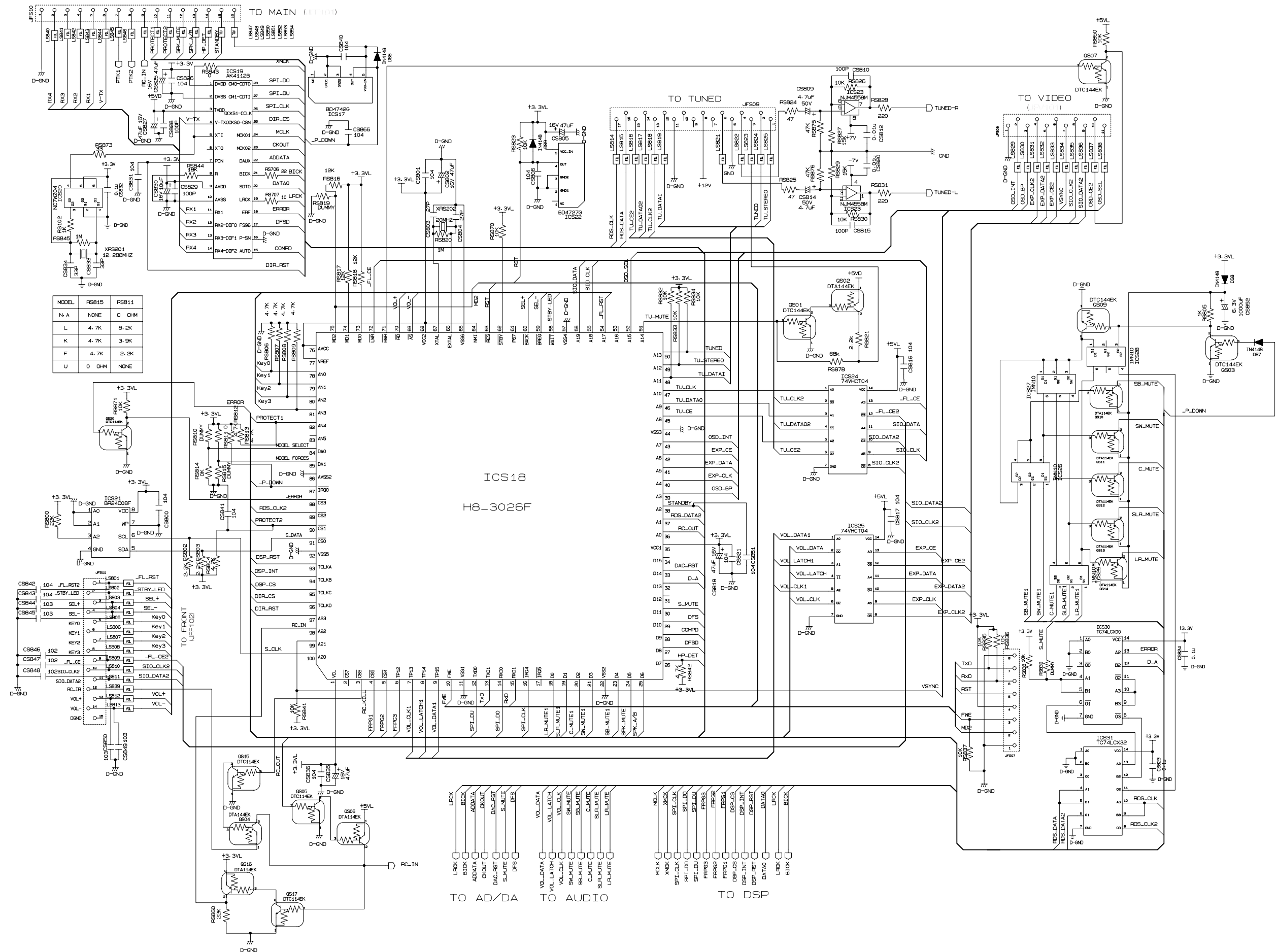
POWER AMP PCB



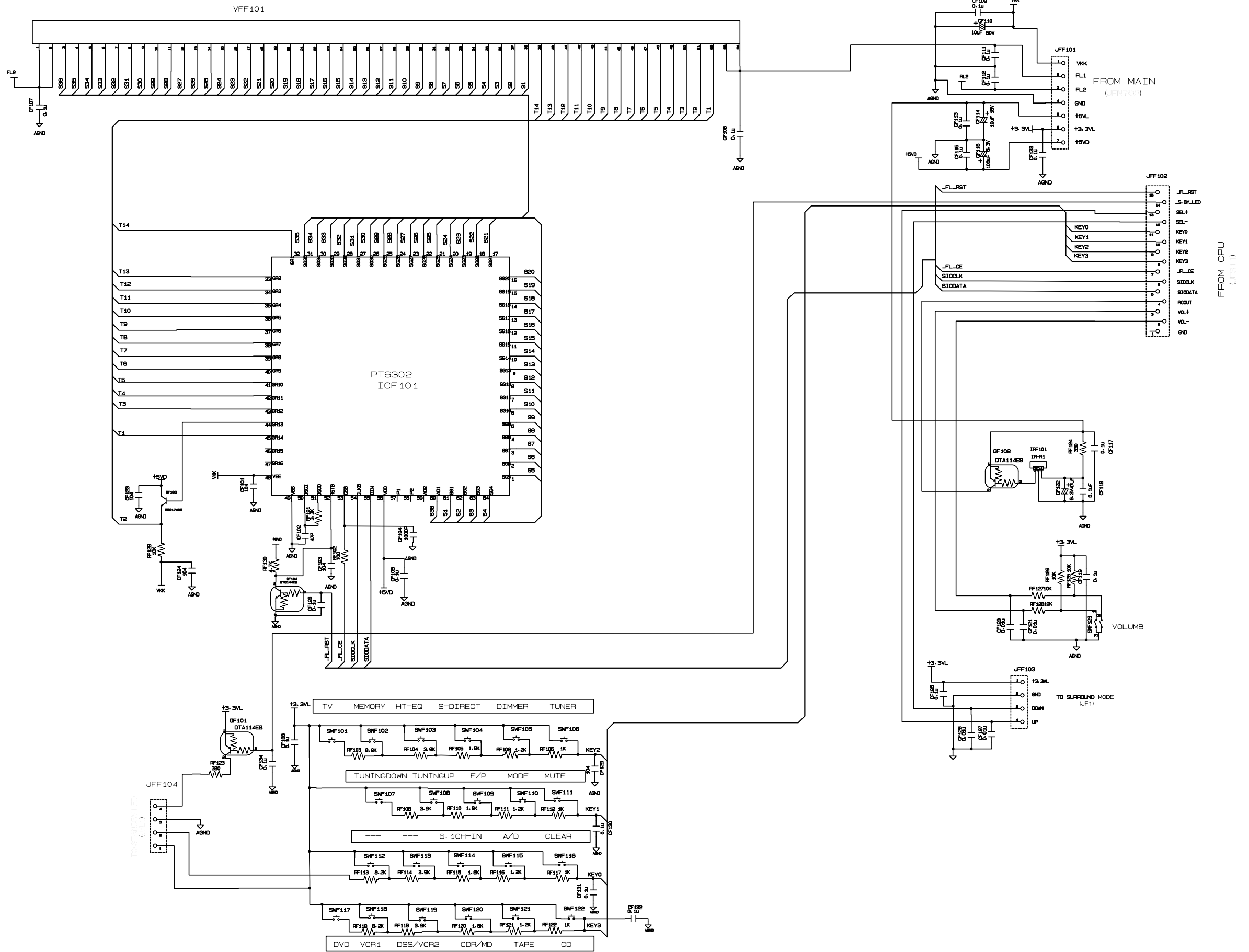
DIGITAL / AUDIO PCB
(E-VR)



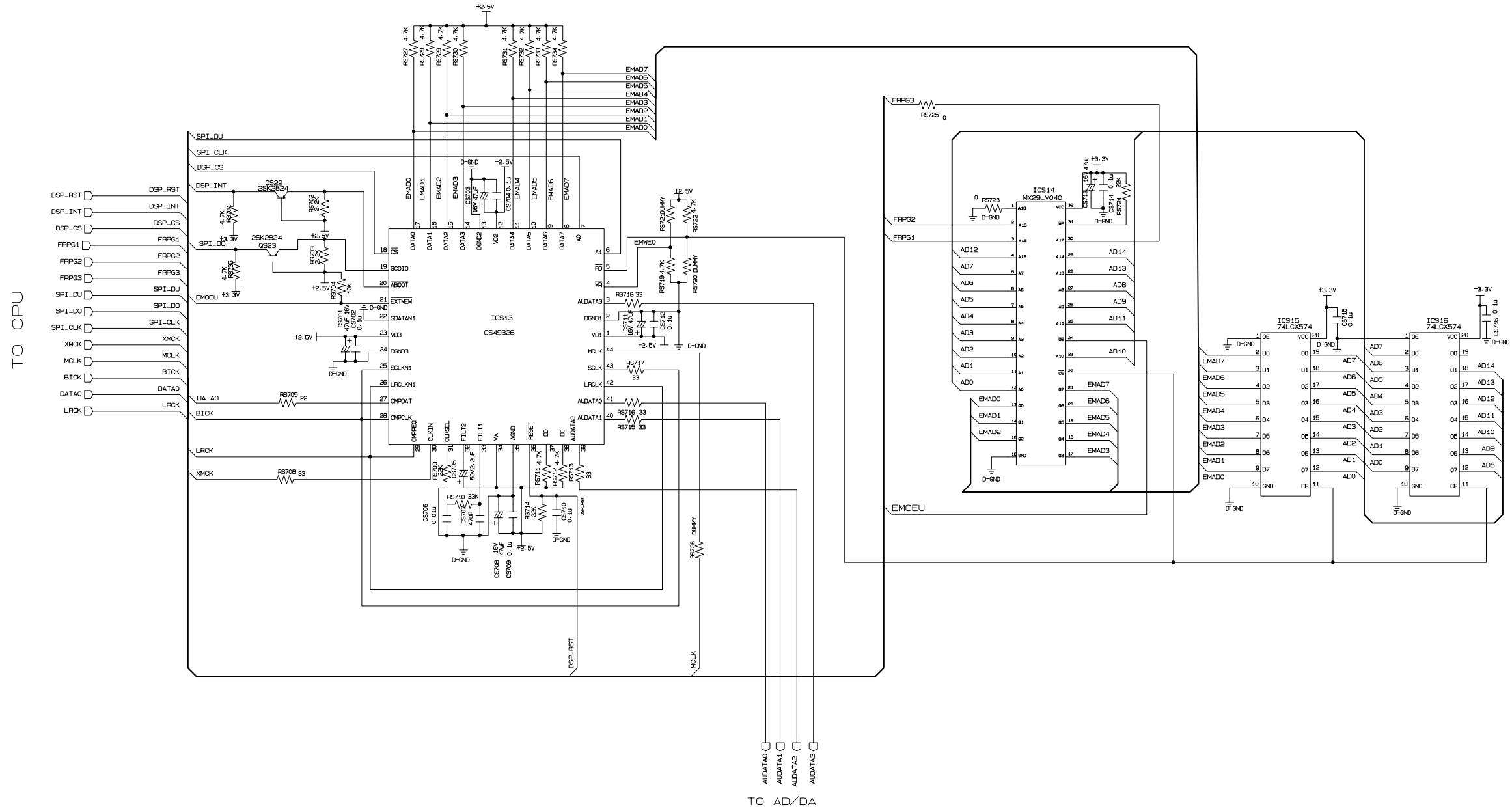
DIGITAL / AUDIO PCB
(CPU)



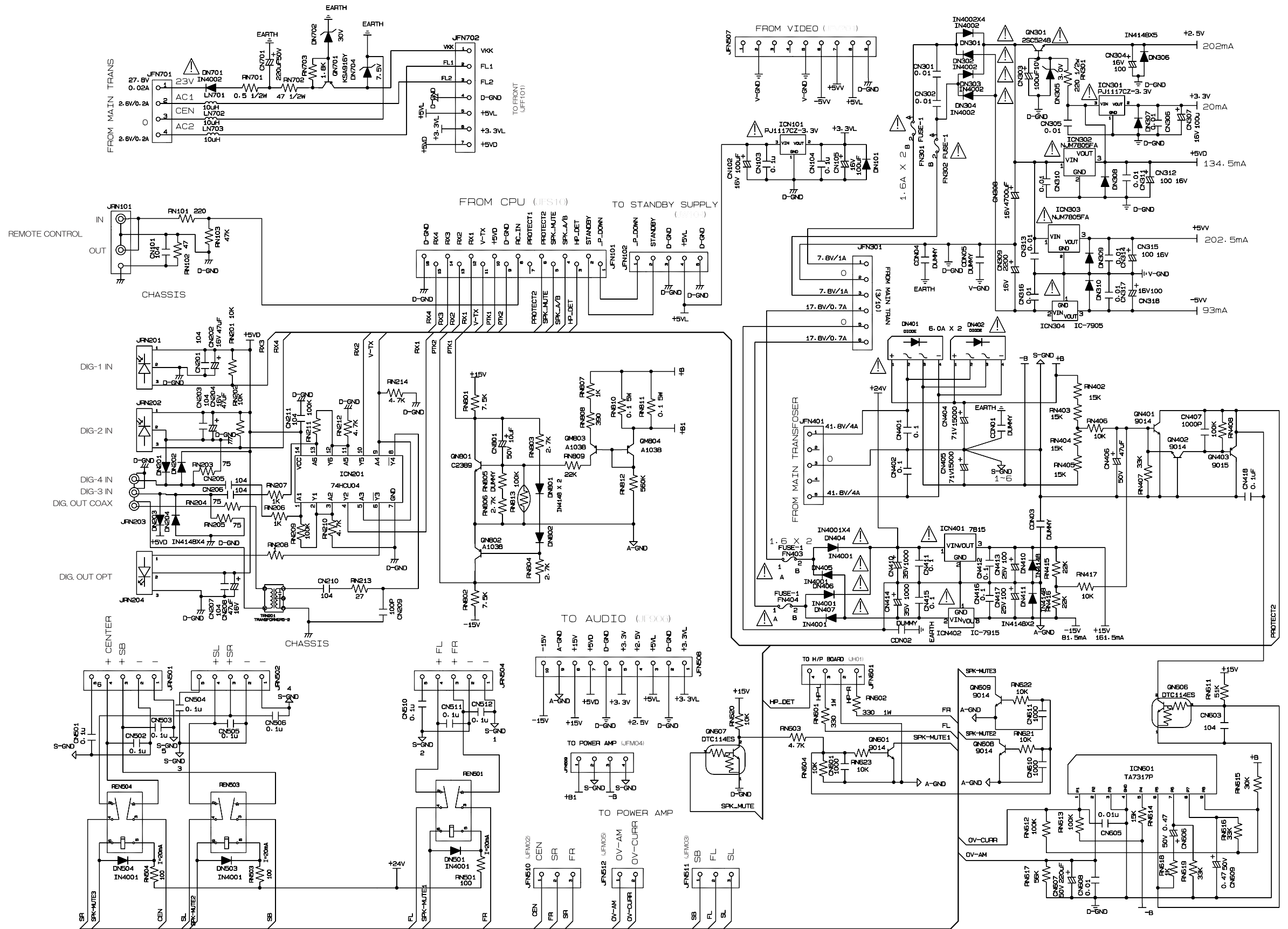
FRONT PCB

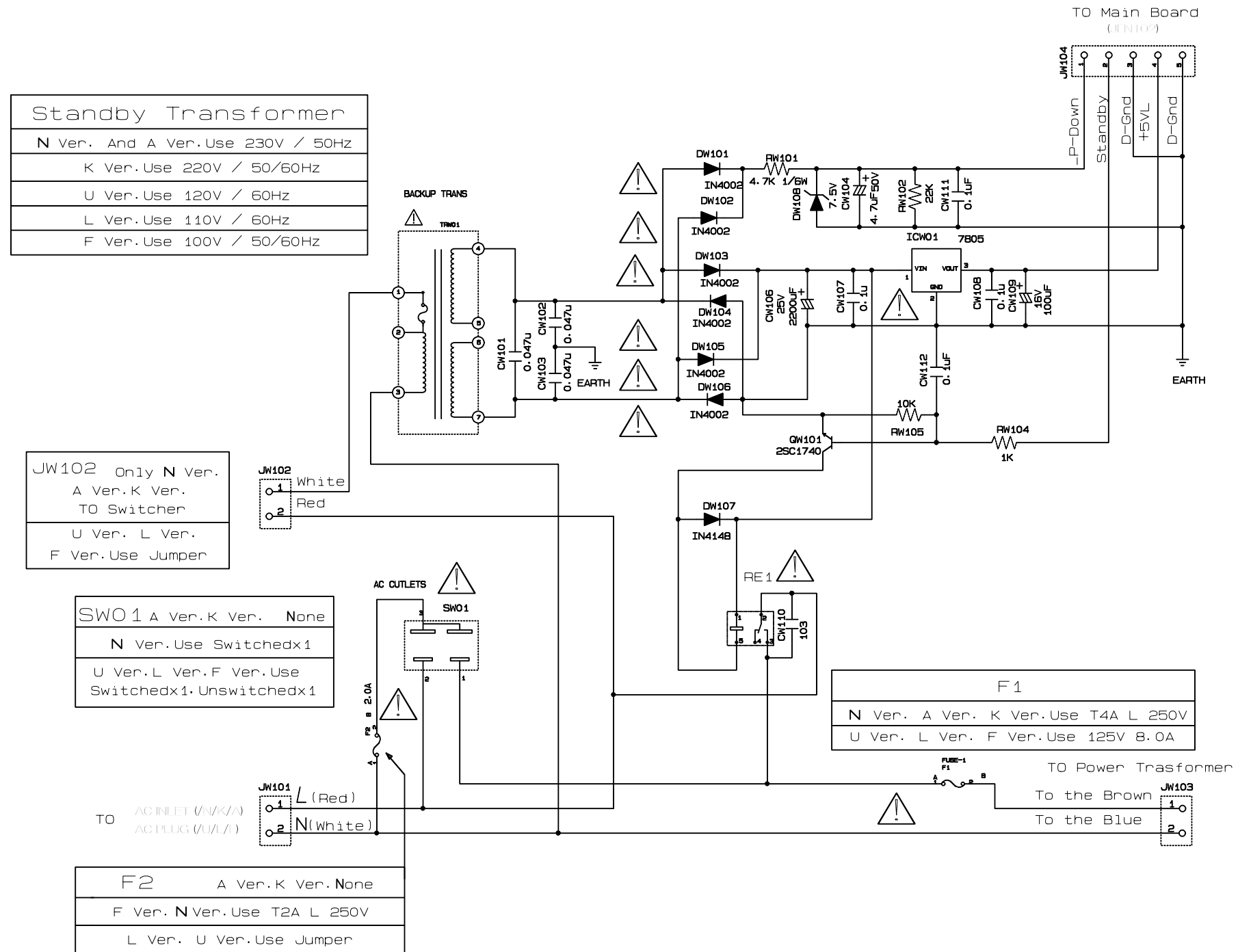


DIGITAL / AUDIO PCB
(DSP)

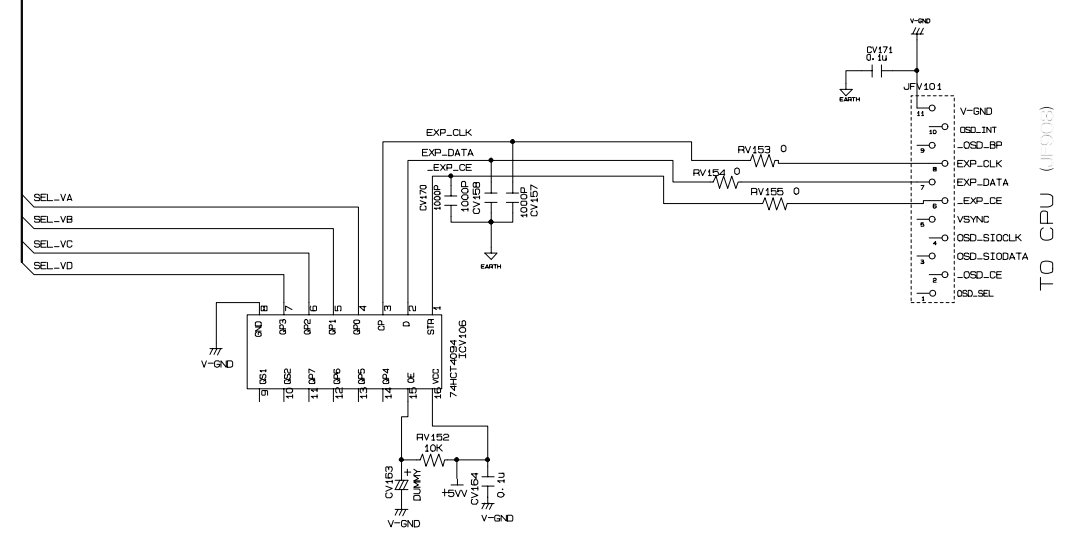
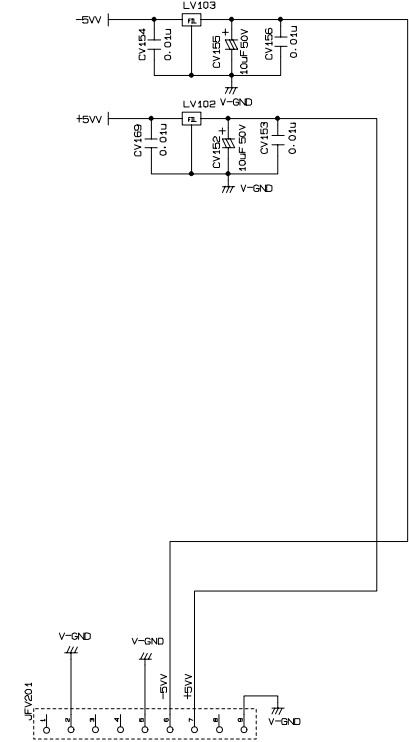
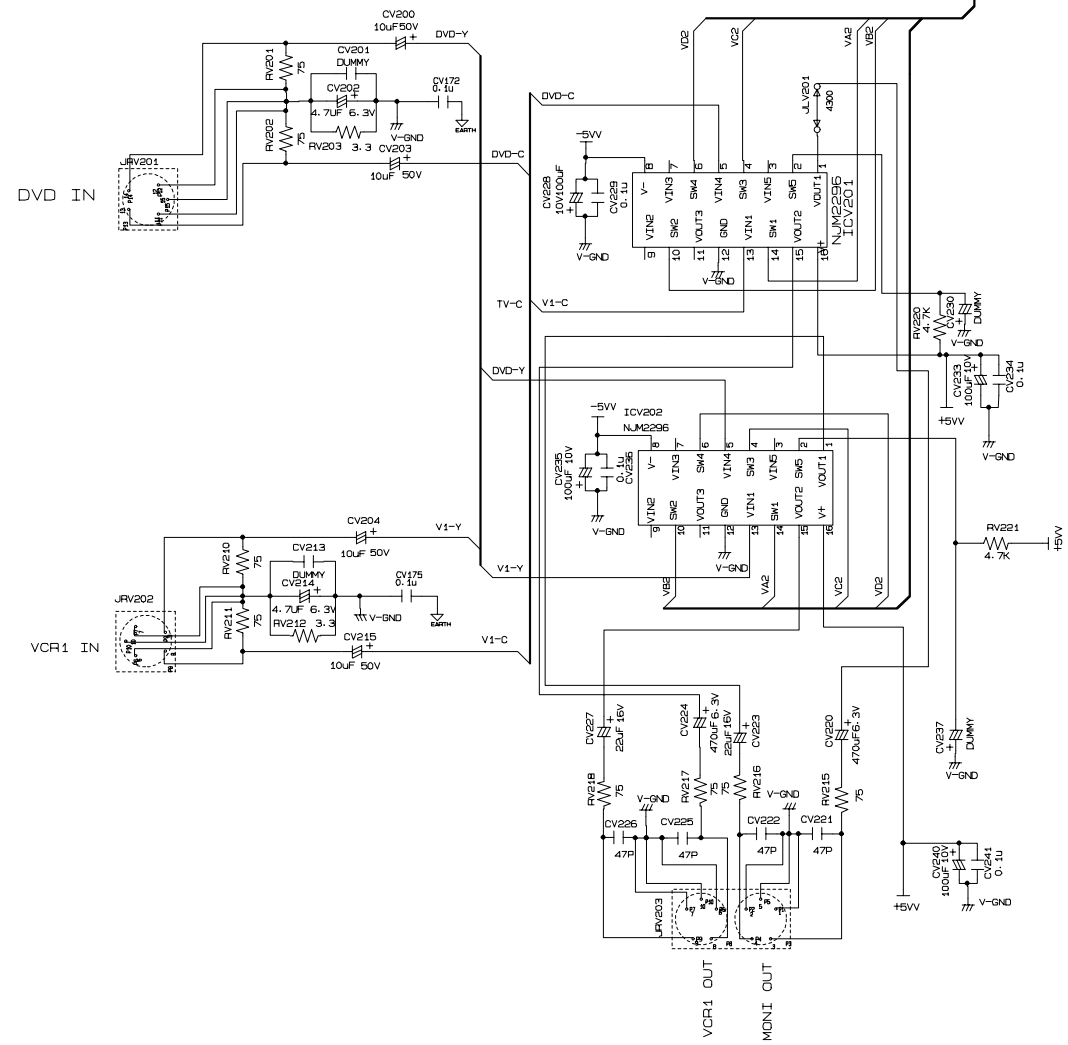
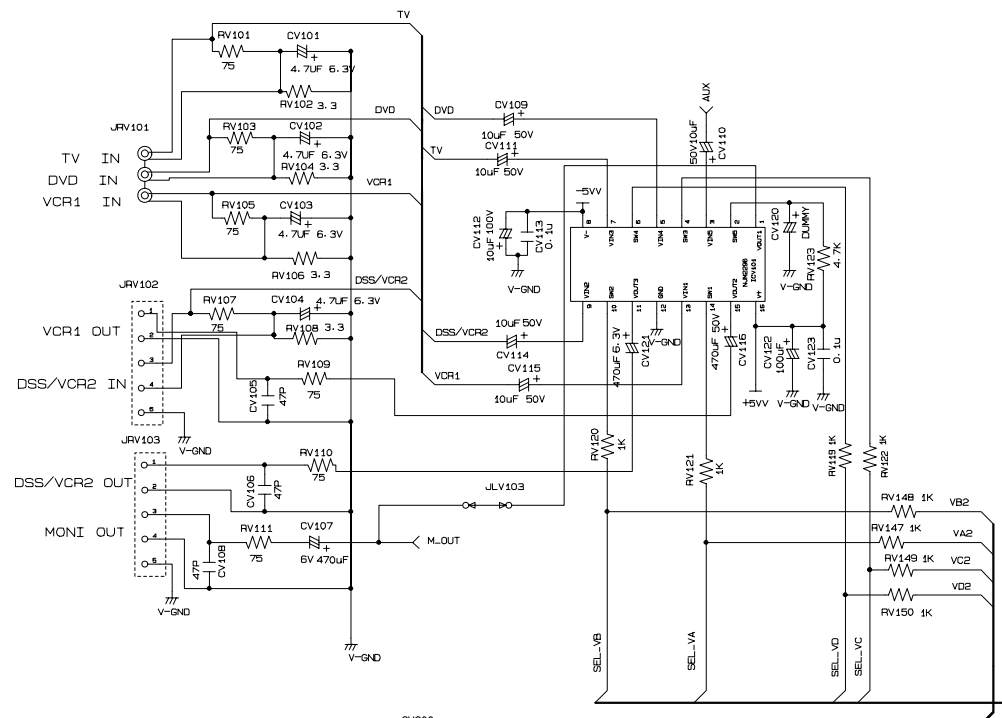


MAIN PCB

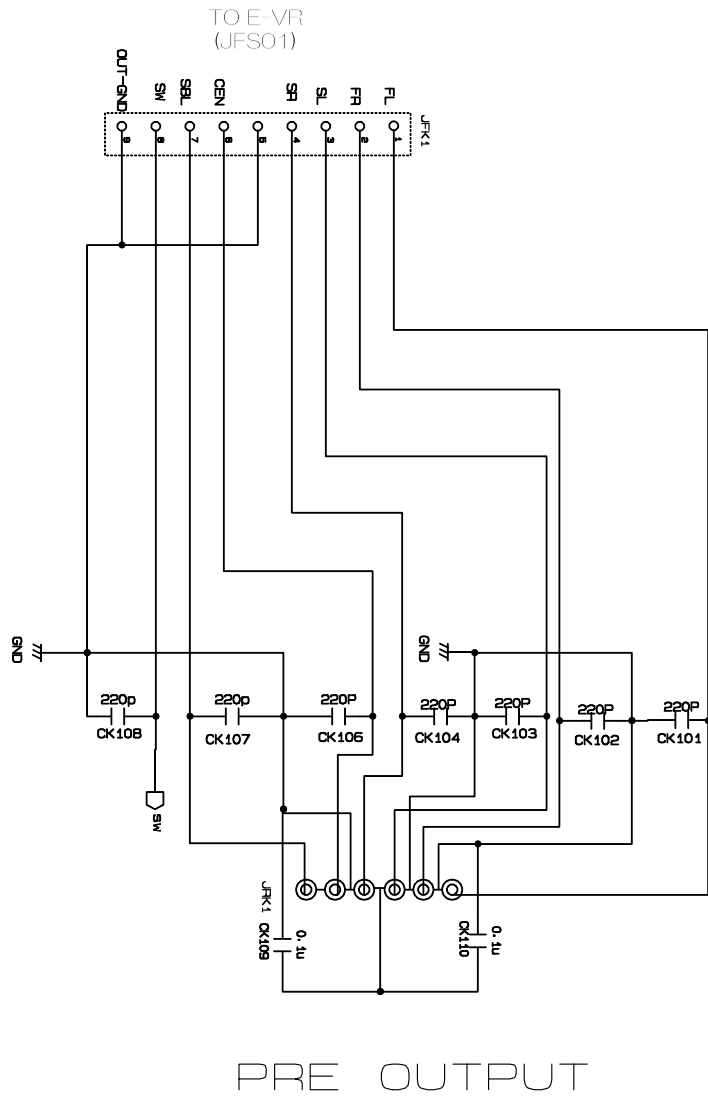
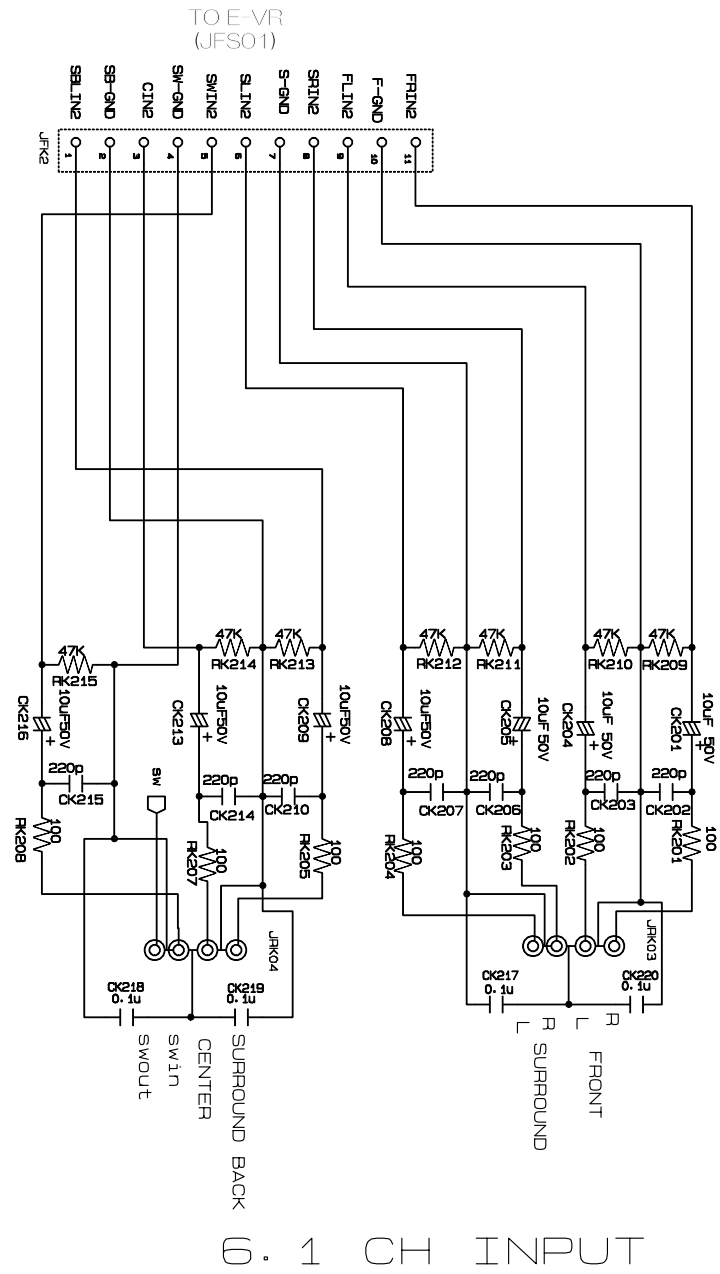




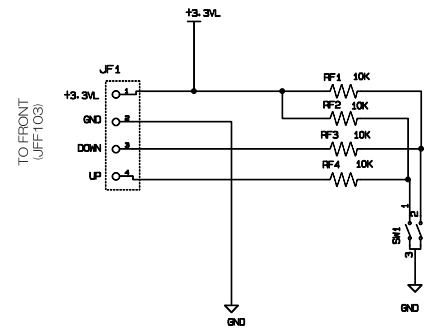
VIDEO PCB



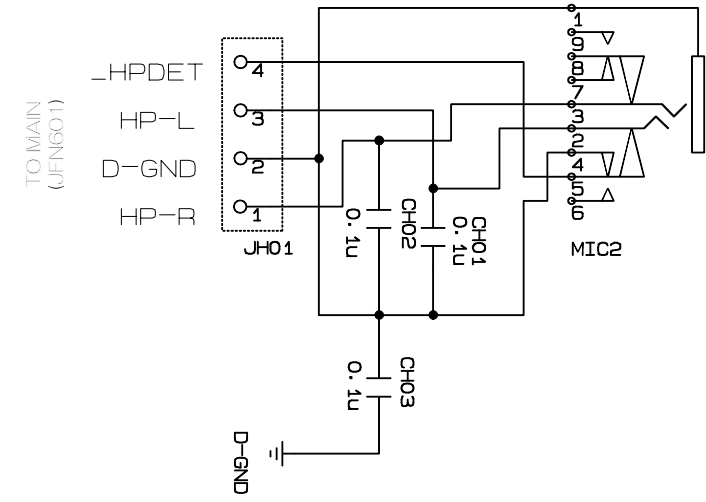
TO AUDIO



SURROUND MODE PCB



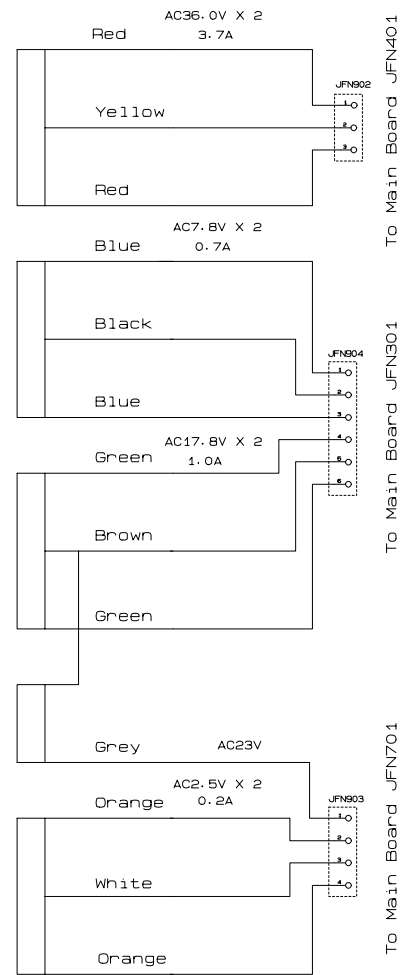
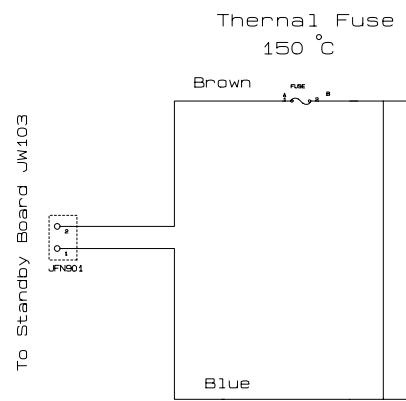
H/P PCB



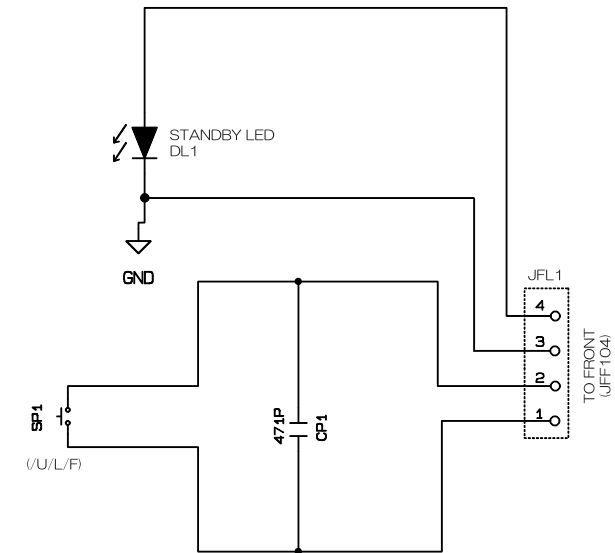
Power Transformer



Power Transformer	
N Ver And A Ver Use	230V / 50Hz
K Ver Use	220V / 50/60Hz
U Ver Use	120V / 60Hz
L Ver Use	110V / 60Hz
F Ver Use	100V / 50/60Hz



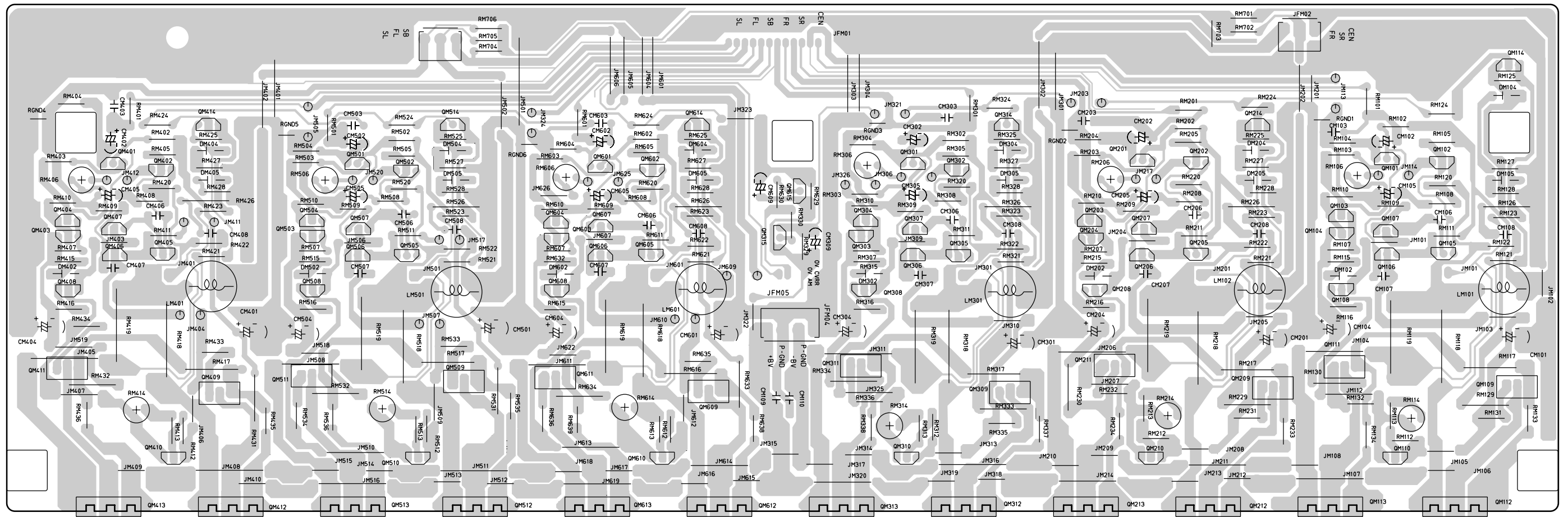
STAND-BY LED PCB



5. PARTS LOCATION

POWER AMP

QM401	QM402	QM414		QM501	QM502	QM514		QM601	QM602	QM614		QM301	QM302	QM314		QM201	QM202	QM214		QM101	QM102	QM114	
QM404	QM407	DM404		QM504	QM507	DM504		QM604	QM607	DM604		QM304	QM307	DM304		QM203	QM207	DM204		QM103	QM107	DM104	
QM403	QM406	QM405	DM405	QM503	QM506	QM505	DM505	QM603	QM606	QM605	DM605	QM303	QM306	QM305	DM305	QM204	QM206	QM205	DM205	QM104	QM106	QM105	DM105
QM408	DM402			QM508	DM502			QM608	DM602			QM308	DM302			QM208	DM202			QM108	DM102		
QM411		QM409		QM511		QM509		QM611		QM609		QM311		QM309		QM211		QM209		QM111		QM109	
QM413	QM410	QM412		QM513	QM510	QM512		QM613	QM610	QM612		QM313	QM310	QM312		QM213	QM210	QM212		QM113	QM110	QM112	



FRONT

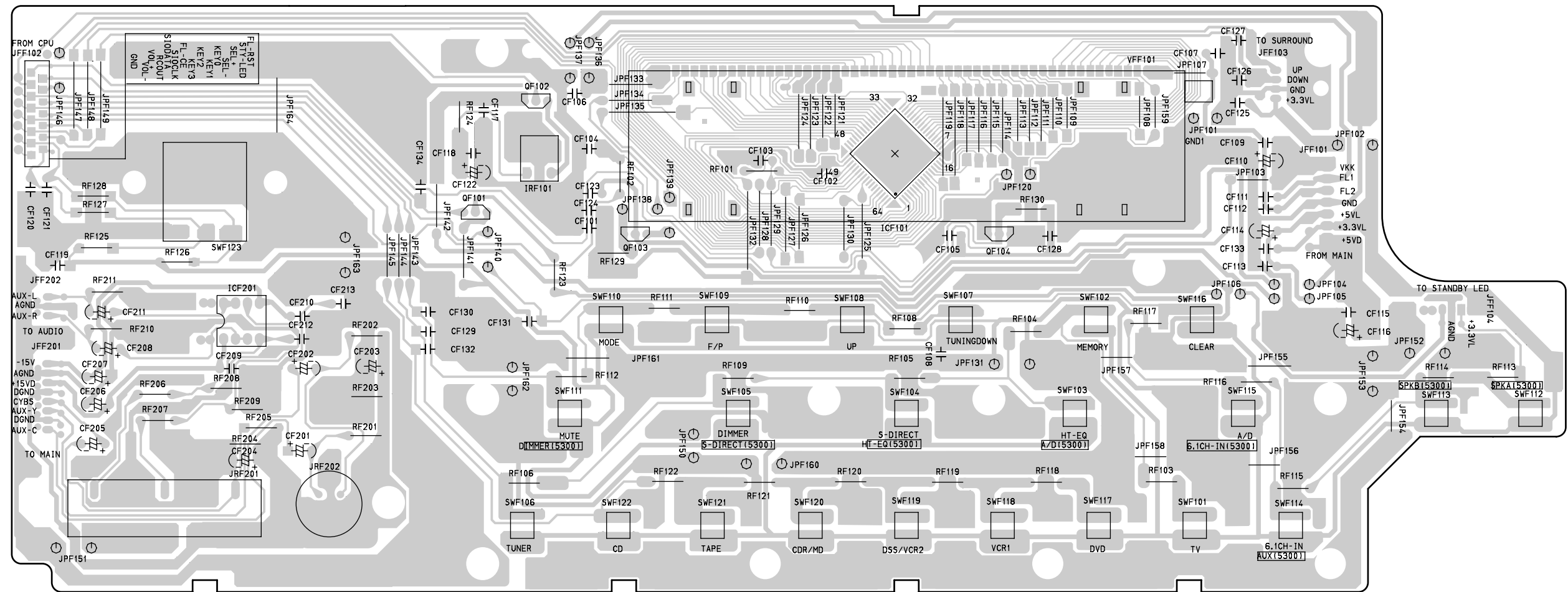
ICF201

QF101 QF102

QF103

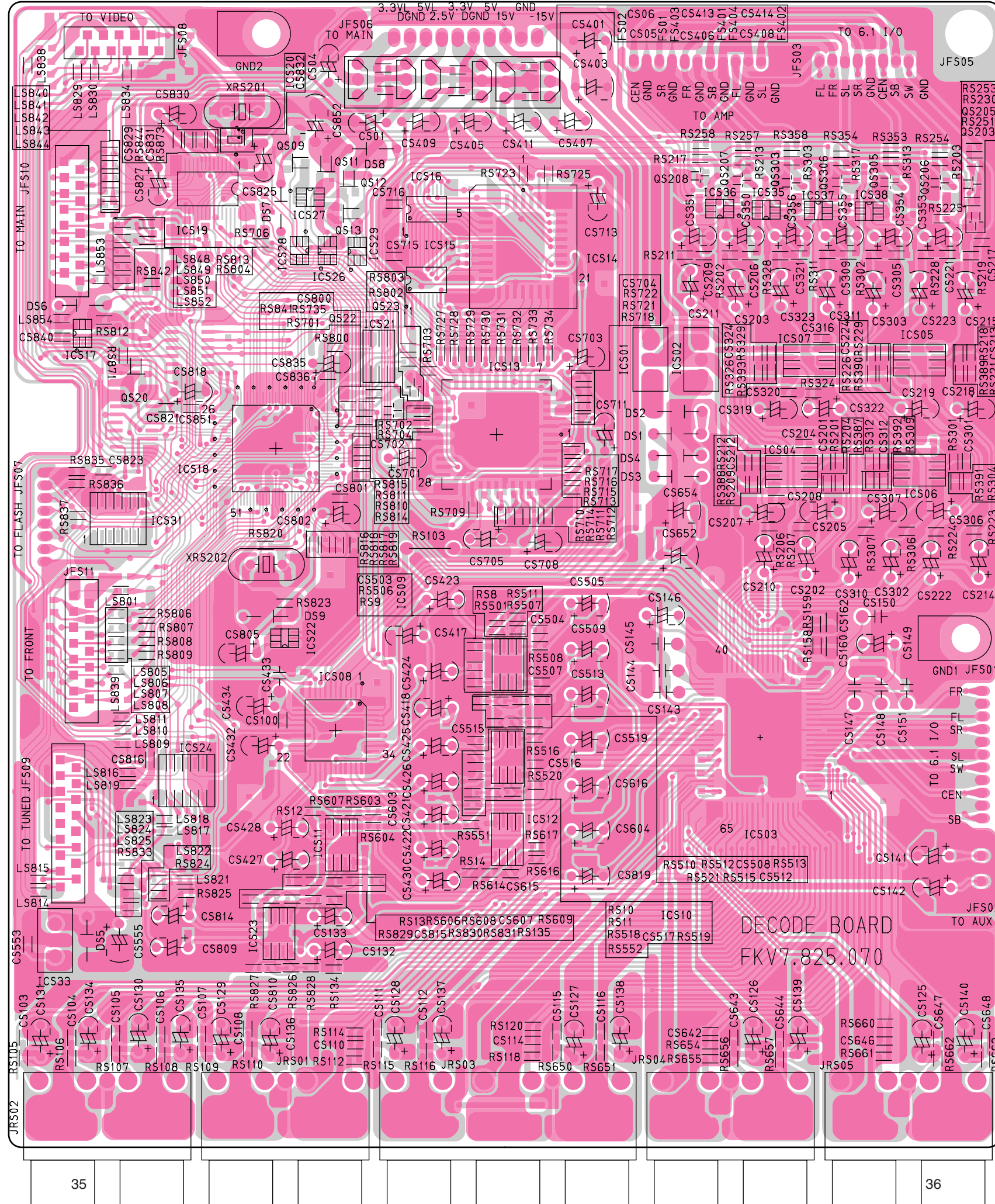
ICF101

QF104



DIGITAL / AUDIO

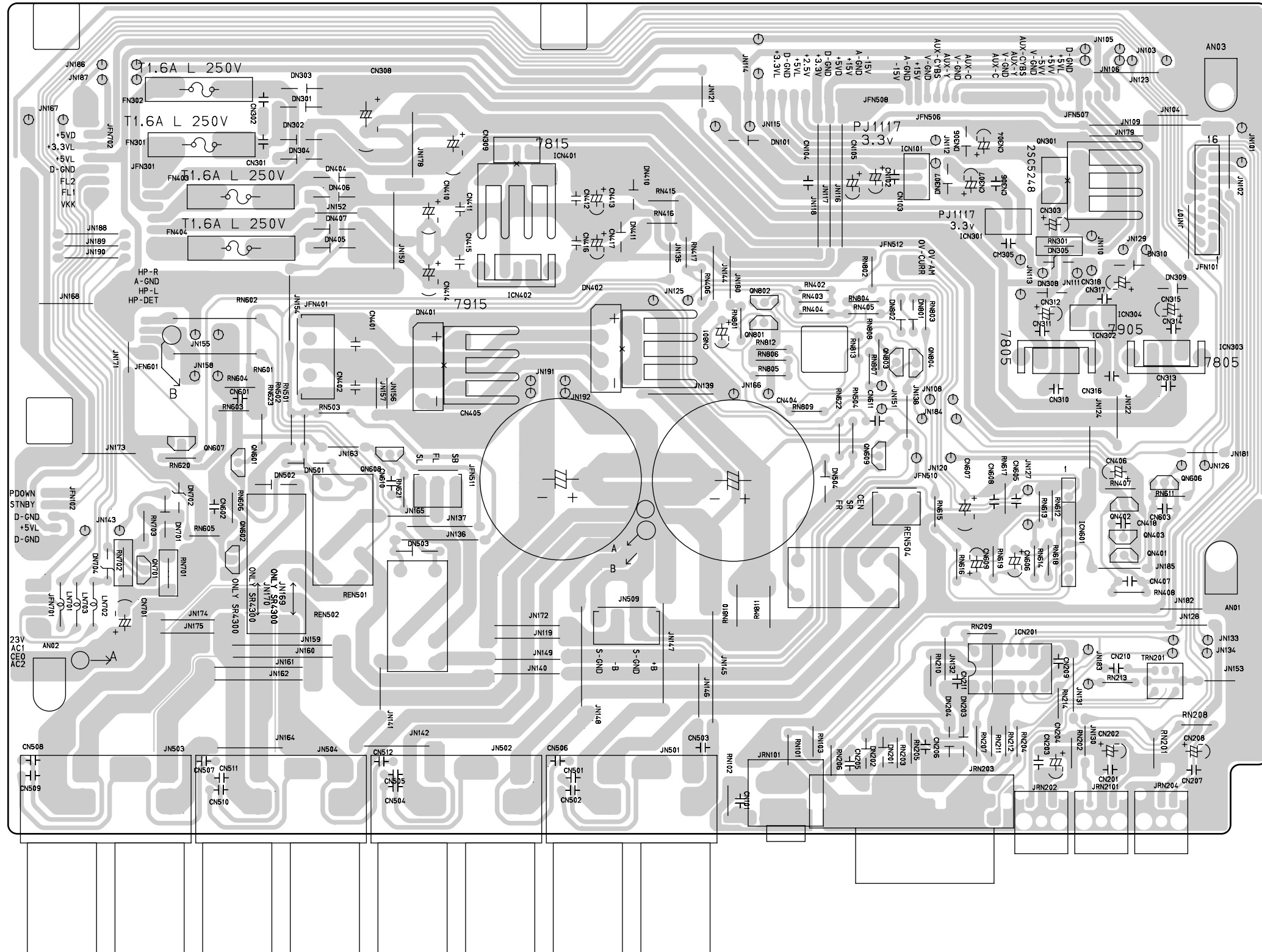
- ICS20 DS8
- QS09 QS11 QS12
- ICS19 ICS27 DS7 QS13 ICS16
- ICS28 ICS26 ICS29
- ICS15
- DS06
- ICS17
- QS20 ICS21
- QS23 QS22
- ICS18
- ICS31
- DS09 ICS22
- ICS08
- ICS24
- ICS11
- ICS33 ICS23 DS5



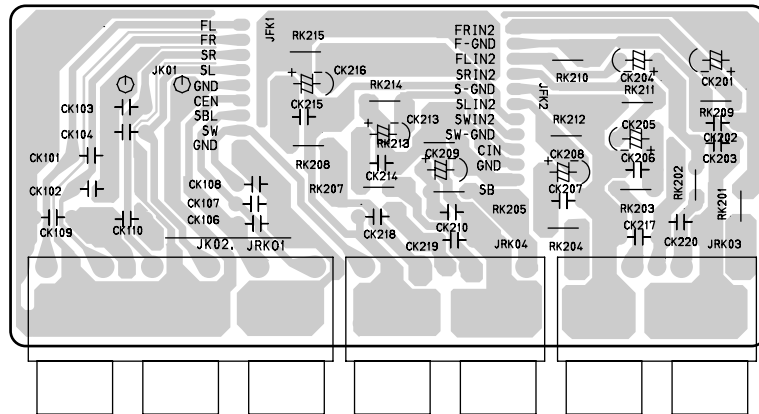
- QS208 QS303 QS305
- QS207 QS306 QS206 QS205
- ICS36 ICS35 ICS37 ICS38 QS203
- ICS14
- ICS01 ICS02 ICS07 ICS05
- DS2
- ICS13 DS1
- DS4 ICS04 ICS06
- DS3
- ICS09
- ICS10 ICS03
- ICS12

MAIN

DM301-304 ICN401 DN410 DN101 ICN101 DN307 DN306 QN301
DN404-407 DN411 QN802 DN802 DN801 ICN301 DN305 DN310 DN309
QN607 QN601 DN501 QN608 DN401 ICN402 QN801 QN803 QN804 DN308 ICN304 ICN303
DN701 DN702 DN502 DN402 DN504 QN609 ICN302 QN606
DN704 QN701 QN602 DN503 DN201-204 ICN201 ICN601 QN401-403



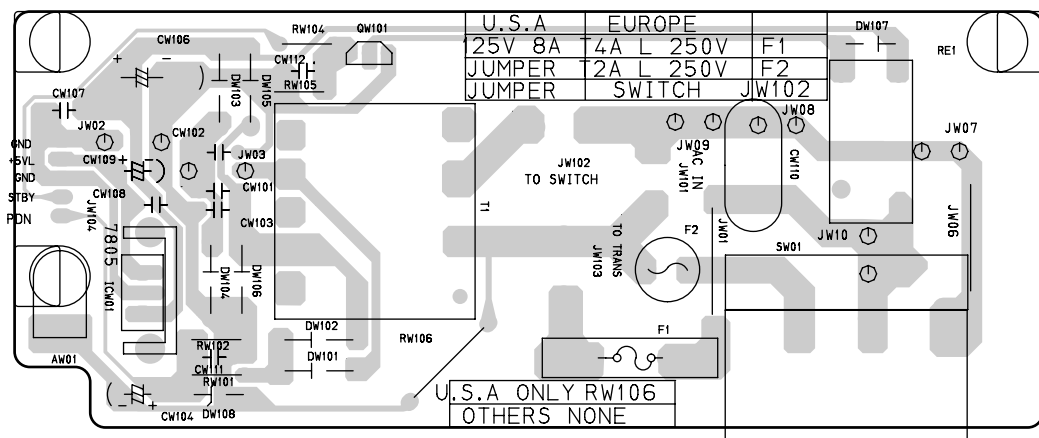
6.1CH / PRE OUT



STAND-BY

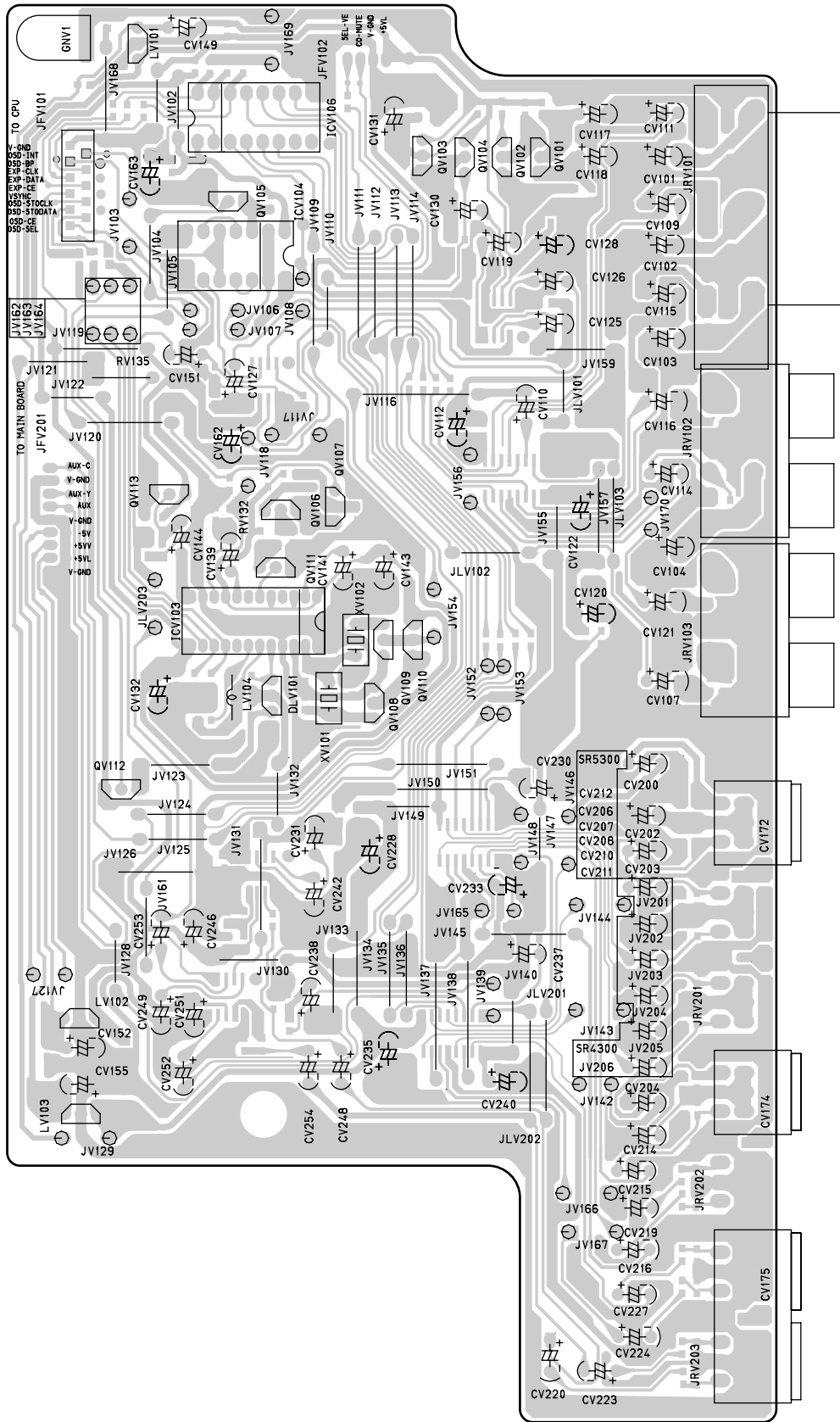
DW103 DW105 QM101
 DW104 DW106
 ICW01 DW102
 DW108 DW101

DW107



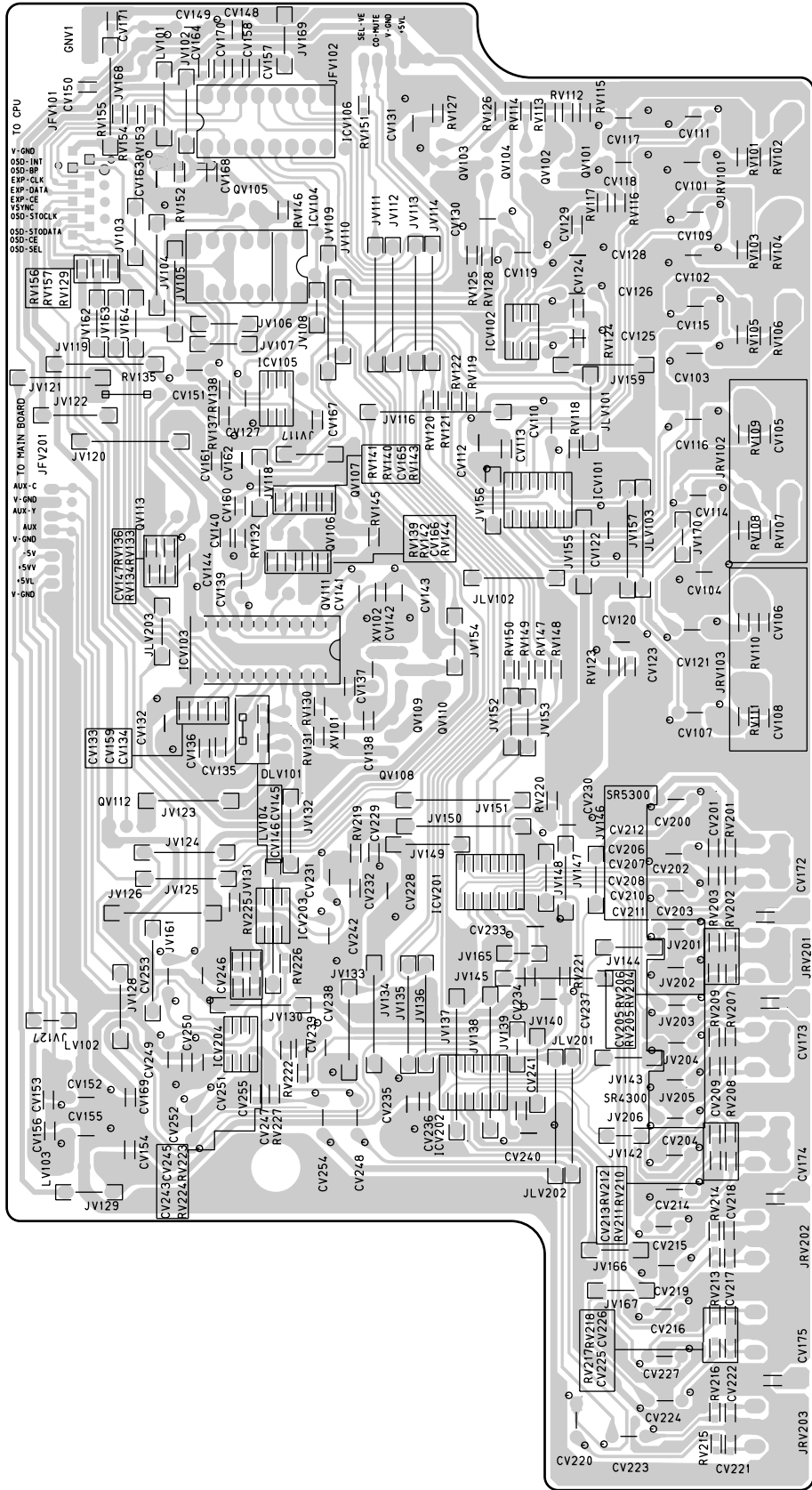
VIDEO

- QV112
- QV113
- QV111
- QV108-110
- QV105
- QV106
- QV107
- ICV103
- ICV104
- ICV105
- ICV106
- QV101-104

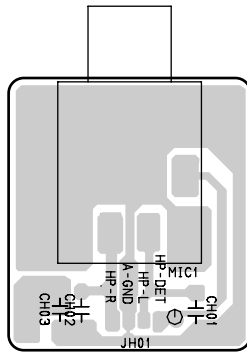


VIDEO

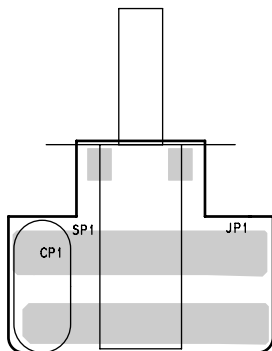
ICV204 ICV203 ICV201
ICV202 ICV102 ICV101 ICV105



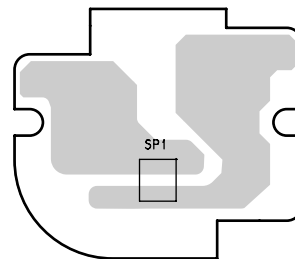
H/P OUT



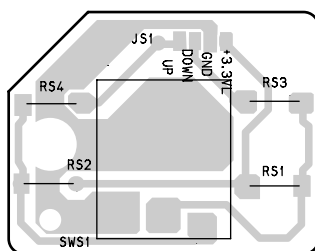
POWER SW 1



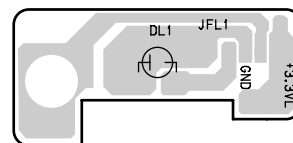
POWER SW 2



SURROUND

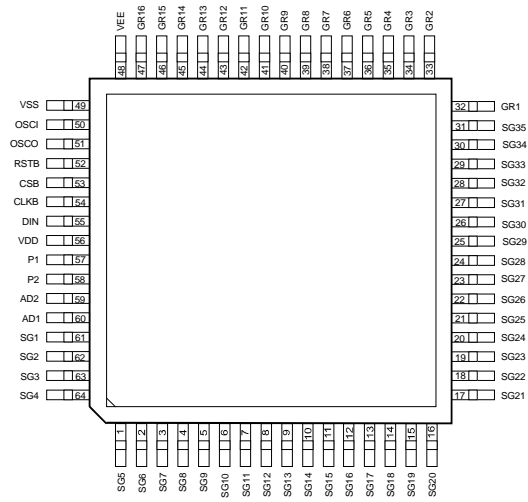


**STANDBY LED
DL1**

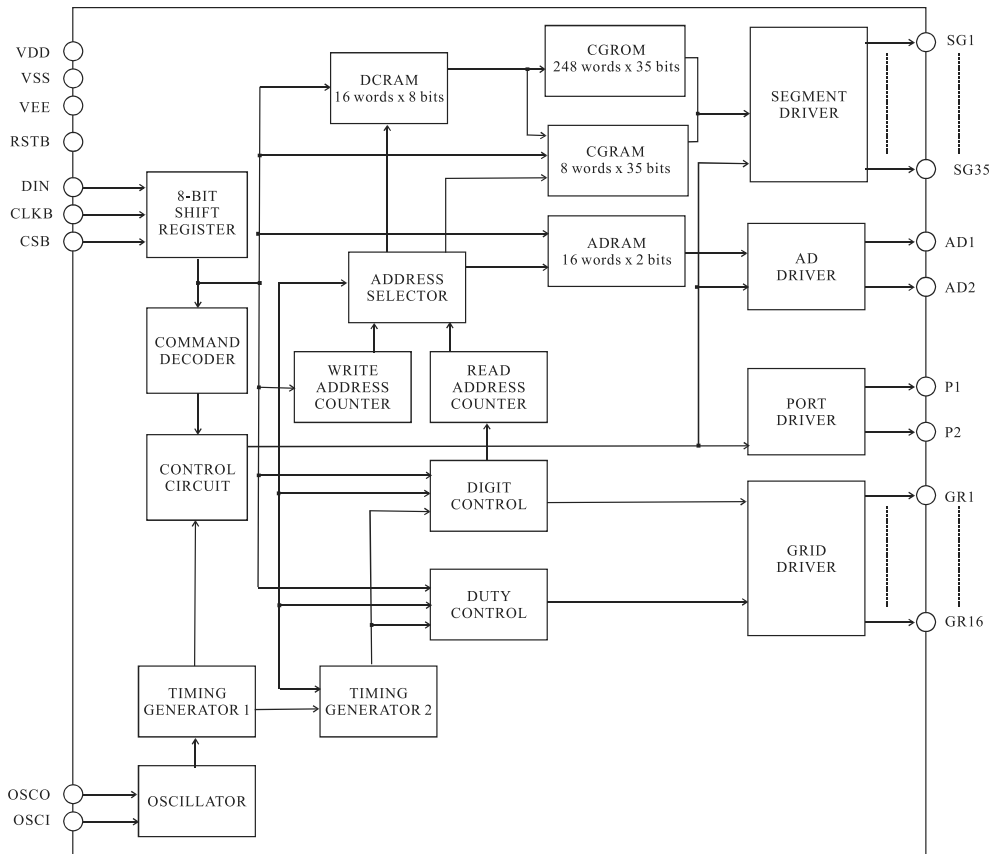


6. IC DATA
ICF101:PT6302

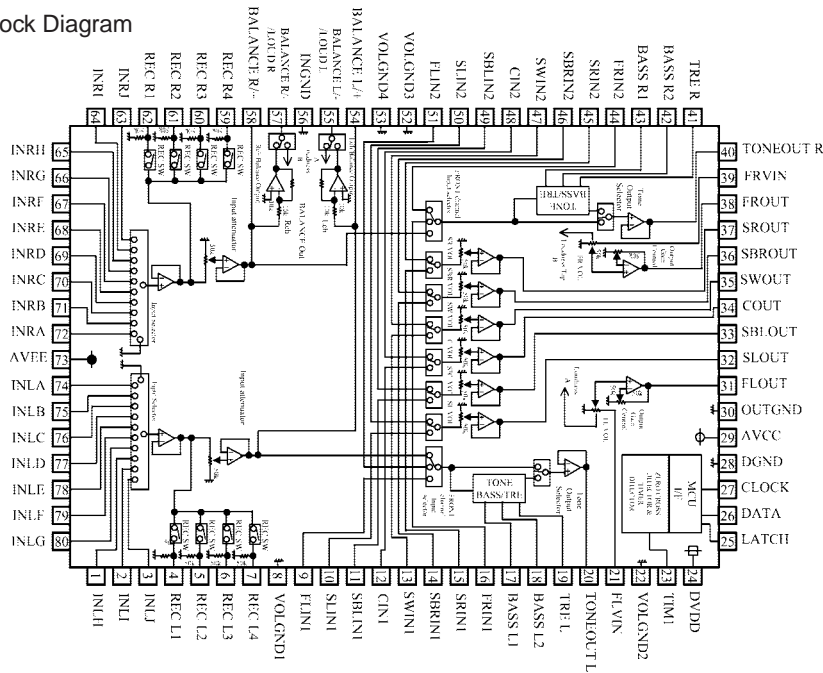
Pin Assignment



Block Diagram



Pin Assignment and Block Diagram



Pin Function

PIN No.	Name	Function
74,75,76,77,78, 79,80,1,2,3	INLA,B,C,D,E,F,G,H,I,J	Input pin of L channel (10 Input Selector)
4,5,6,7, 59,59,60,61	REC L1,L2,L3,L4 /REC R1,R2,R3,R4	Output pin of REC (Lch and Rch)
8,22,52,53	VOLGND1,2,3,4	Analog Ground (for 8ch Volume)
9,51	FLIN1 / FLIN2	Input pin of FL channel (2 Input Selector)
10,50	SLIN1 / SLIN2	Input pin of SL channel (2 Input Selector)
11,49	SBLIN1 / SBLIN2	Input pin of SBL channel (2 Input Selector)
12,48	CIN1 / CIN2	Input pin of C channel (2 Input Selector)
13,47	SWIN1 / SWIN2	Input pin of SW channel (2 Input Selector)
14,46	SBRIN1 / SBRIN2	Input pin of SBR channel (2 Input Selector)
15,45	SRIN1 / SRIN2	Input pin of SR channel (2 Input Selector)
16,44	FRIN1 / FRIN2	Input pin of FR channel (2 Input Selector)
17,18,42,43	BASS L1,L2 / BASS R1,R2	Frequency characteristic setting pin in the tone control (BASS)
19,41	TRE L / TRE R	Frequency characteristic setting pin in the tone control (TREBLE)
20,40	TONEOUT L / TONEOUT R	Output pin of tone
21	FLVIN	Input pin of FL channel volume
23	TIM1	Timer setting terminal for Zero-Cross Detector
24	DVDD	Power supply to internal logic circuit
12,26,27	LATCH,DATA,CLOCK	Input pin of Control trigger/data/clock
28	DGND	Ground of internal logic circuit
29	AVCC	Positive power supply to internal analog circuit
30	OUTGND	Ground for OUTPUT Block
31	FLOUT	Output pin of FL channel
32	SLOUT	Output pin of SL channel
33	SBLOUT	Output pin of SBL channel
34	COUT	Output pin of C channel
35	SWOUT	Output pin of SW channel
36	SBROUT	Output pin of SBR channel
37	SROUT	Output pin of SR channel
38	FROUT	Output pin of FR channel
39	FRVIN	Input pin of FR channel volume
54,55	LOUDL/BALANCE L/+ ,L/-	Pin of L channel loudness setting/Balance output(+/-)
56	INGND	Ground for Input Block
57,58	LOUDR/BALANCE R/+ ,R/-	Pin of R channel loudness setting/Balance output(+/-)
62,63,64,65,66, 67,68,69,70	INRA,B,C,D,E,F,G,H,I,J	Input pin of R channel (10 Input Selector)
73	AVEE	Negative power supply to internal analog circuit

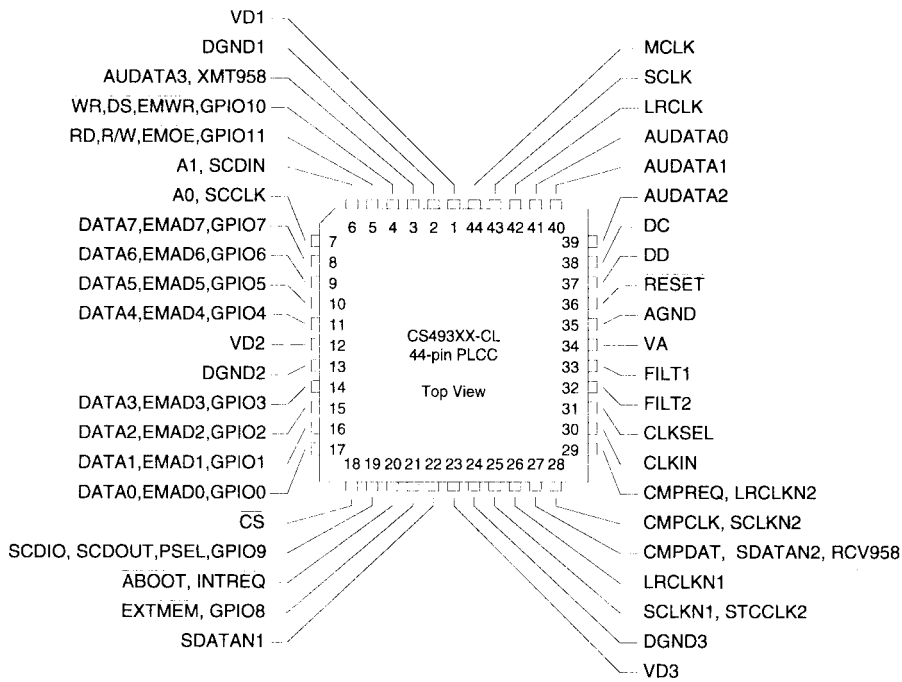
Pin Function

No.	Pin Name	I/O	Function
1	SDOS	I	SDTO Source Select Pin (Note 1) “L”: Internal ADC output, “H”: DAUX input SDOS pin should be set to “L” when TDM= “1”.
2	I2C	I	Control Mode Select Pin “L”: 3-wire Serial, “H”: I ² C Bus
3	SMUTE	I	Soft Mute Pin (Note 1) When this pin goes to “H”, soft mute cycle is initialized. When returning to “L”, the output mute releases.
4	BICK	I	Audio Serial Data Clock Pin
5	LRCK	I	Input Channel Clock Pin
6	SDTI1	I	DAC1 Audio Serial Data Input Pin
7	SDTI2	I	DAC2 Audio Serial Data Input Pin
8	SDTI3	I	DAC3 Audio Serial Data Input Pin
9	SDTO	O	Audio Serial Data Output Pin
10	DAUX	I	AUX Audio Serial Data Input Pin
11	DFS	I	Double Speed Sampling Mode Pin (Note 1) “L”: Normal Speed, “H”: Double Speed
12	SDTI4	I	DAC4 Audio Serial Data Input Pin
13	DZFE	I	Zero Input Detect Enable Pin “L”: mode 7 (disable) at parallel mode, zero detect mode is selectable by DZFM3-0 bits at serial mode “H”: mode 0 (DZF1 is AND of all eight channels)
14	TVDD	-	Output Buffer Power Supply Pin, 2.7V~5.5V
15	DVDD	-	Digital Power Supply Pin, 4.5V~5.5V
16	DVSS	-	Digital Ground Pin, 0V
17	PDN	I	Power-Down & Reset Pin When “L”, the AK4529 is powered-down and the control registers are reset to default state. If the state of P/S or CAD0-1 changes, then the AK4529 must be reset by PDN.
18	TST	I	Test Pin This pin should be connected to DVSS.
19	CAD1	I	Chip Address 1 Pin
20	CAD0	I	Chip Address 0 Pin
21	LOUT4	O	DAC4 Lch Analog Output Pin
22	ROUT4	O	DAC4 Rch Analog Output Pin

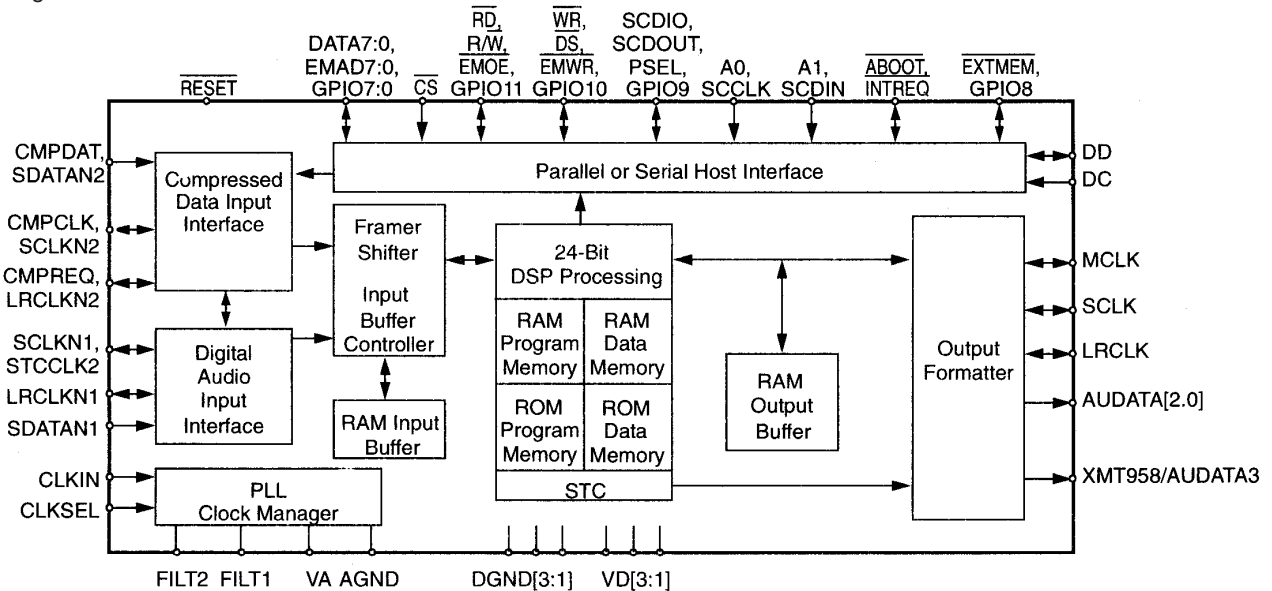
No.	Pin Name	I/O	Function
23	LOUT3	O	DAC3 Lch Analog Output Pin
24	ROUT3	O	DAC3 Rch Analog Output Pin
25	LOUT2	O	DAC2 Lch Analog Output Pin
26	ROUT2	O	DAC2 Rch Analog Output Pin
27	LOUT1	O	DAC1 Lch Analog Output Pin
28	ROUT1	O	DAC1 Rch Analog Output Pin
29	NC	-	No Connect No internal bonding.
30	NC	-	No Connect No internal bonding.
31	LIN	I	Lch Analog Input Pin
32	RIN	I	Rch Analog Input Pin
33	DZF2	O	Zero Input Detect 2 Pin (Note 2) When the input data of the group 1 follow total 8192 LRCK cycles with “0” input data, this pin goes to
	OVF	O	Analog Input Overflow Detect Pin (Note 3) This pin goes to “H” if the analog input of Lch or Rch is overflows.
34	VCOM	O	Common Voltage Output Pin, AVDD/2 Large external capacitor around 2.2μF is used to reduce power-supply noise.
35	VREFH	I	Positive Voltage Reference Input Pin, AVDD
36	AVDD	-	Analog Power Supply Pin, 4.5V~5.5V
37	AVSS	-	Analog Ground Pin, 0V
38	DZF1	O	Zero Input Detect 1 Pin (Note 2) When the input data of the group 1 follow total 8192 LRCK cycles with “0” input data, this pin goes to “H”.
39	MCLK	I	Master Clock Input Pin
40	P/S	I	Parallel/Serial Select Pin “L”: Serial control mode, “H”: Parallel control mode
41	DIF0	I	Audio Data Interface Format 0 Pin in parallel control mode
	CSN	I	Chip Select Pin in 3-wire serial control mode This pin should be connected to DVDD at I ² C bus control mode
42	DIF1	I	Audio Data Interface Format 1 Pin in parallel control mode
	SCL/CCLK	I	Control Data Clock Pin in serial control mode I2C = “L”: CCLK (3-wire Serial), I2C = “H”: SCL (I ² C Bus)
43	LOOP0	I	Loopback Mode 0 Pin in parallel control mode Enables digital loop-back from ADC to 4 DACs.
	SDA/CDTI	I/O	Control Data Input Pin in serial control mode I2C = “L”: CDTI (3-wire Serial), I2C = “H”: SDA (I ² C Bus)
44	TDM	I	TDM I/F Format Mode Pin (Note 1) “L”: Normal format, “H”: TDM format

- Notes:
1. SDOS, SMUTE, DFS, and TDM pins are ORed with register data if P/S = “L”.
 2. The group 1 and 2 can be selected by DZFM3-0 bits if P/S = “L” and DZFE = “L”.
 3. This pin becomes OVF pin if OVFE bit is set to “1” at serial control mode.
 4. All input pins should not be left floating.

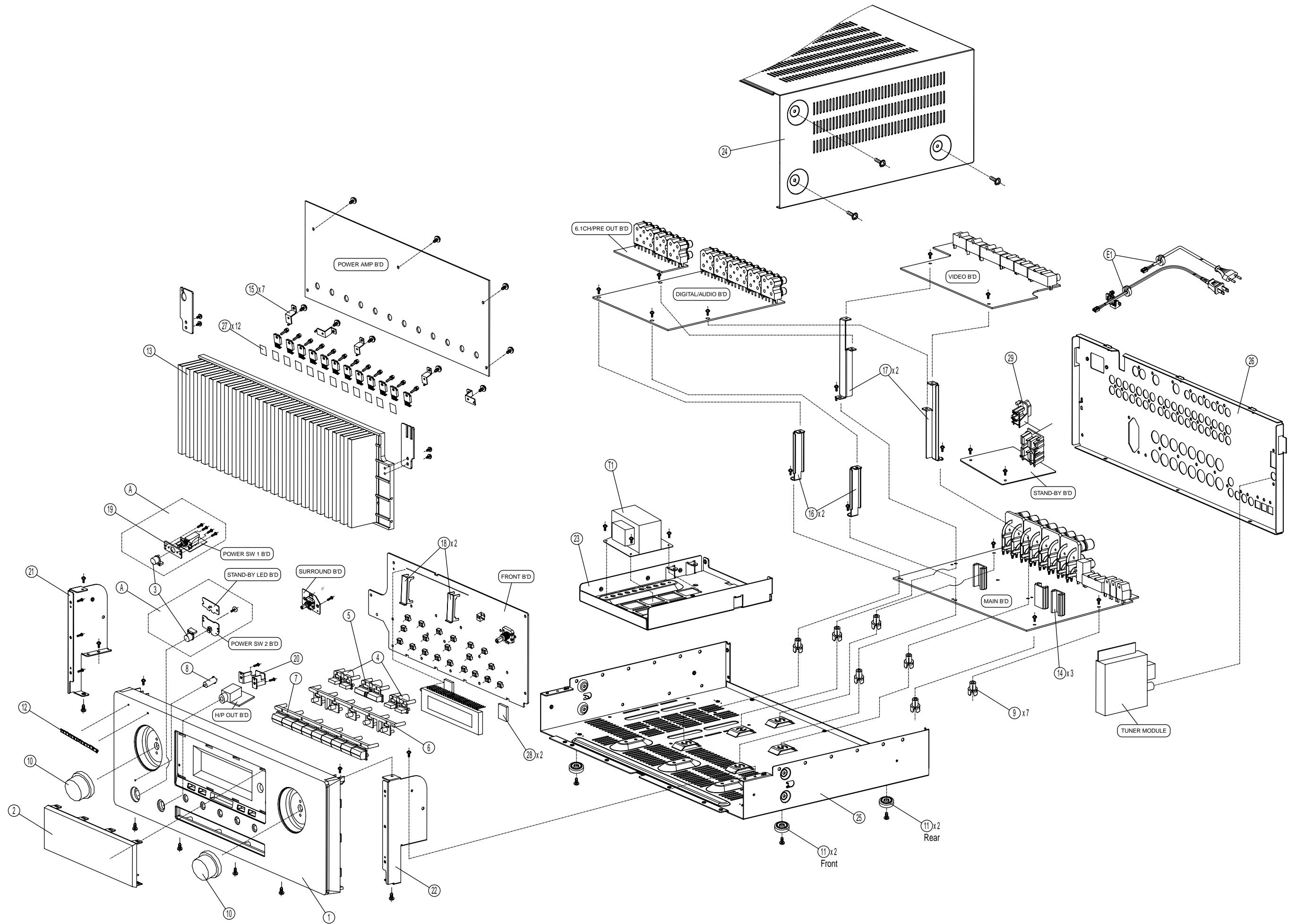
Pin Assignment



Block Diagram



7. EXPLODED VIEW AND PARTS LIST



8. SERVICE PROCEDURE

Idling current Alignment

1. Each of cement resistors are provided with two test points. Set a voltage meter to DC voltage input, Connect the digital voltage meter to the two test points on a cement resistor.
2. After the setup above, turn the main switch ON and heat up the amplifier about 10 minutes.
3. Adjust variable resistors (RM114, RM214, ..., RM614) according to the digital voltmeter reading.

The target setting value is $5 \pm 1\text{mV}$ for each channels.

Settings: Master Volume --- Minimum

Speaker out --- No Load

Top lid --- Open

Channel	Alignment Point	Measurement Point
Front L	RM414	JM401
Center	RM114	JM101
Front R	RM314	JM301
Surr. L	RM514	JM501
Surr. R	RM214	JM201
SB	RM614	JM601

DC Offset Alignment

Settings: Master Volume --- Minimum

Speaker out --- No Load

Power	Channel	Adjustment Point	Measurement Point	Alignment Target
On	Front L	RM406	Speaker Output Terminal	$0 \pm 40\text{mV}$
	Center	RM106		
	Front R	RM306		
	Surr. L	RM506		
	Surr. R	RM206		
	SB	RM606		

Micro-Processor (ICS18) Version and FLD Segment Check

1. While the power is on, press the **CD**, **TUNER** and **TUNING UP** buttons simultaneously for more than 3 seconds. The FL display shows "SERVICE MODE" for 2 seconds then it shows the model name (Ex.: "SR4300").
2. Press the **MODE** button. The software version of the micro-processor (ICS18) is displayed in the format below.

V	E	R	.	0	2	1	0	1	1		F
				└ Year ┘		└ Month ┘		└ Date ┘		Version	
Ex: F - /F1N											
N - /N1B/N1G/A1B/A1G											
U - /U1B											
L - /L1G											

3. Press the **MODE** button again. The left half and the right half of the label area in the FLD light on and off each other.
4. Press the **MODE** button again. The segments of the character area in the FLD flick in the checker pattern.
5. Press the **MODE** button two times to quit this mode.

Product Reset

To reset the back-up memory in the unit to the default status, follow the procedure below.

1. While the power is on, press the **CLEAR** and **MEMORY** buttons simultaneously for more than 3 seconds.
2. The FL display shows "DEFAULT". Then the power is turned off once and turned on again automatically. The micro-computer is reset, the EEPROM is cleared and the unit returns to the normal operation.

Note: When the unit is shipped from the factory, the procedure above must be done to set the unit to initial status after the tests.

System Error

When the micro-computer detects a trouble, the following information is displayed on the FLD.

1. Trouble in DSP

If communication with DSP1(Q610) is troubled more than 2 seconds, FLD shows below.

E	R	R	O	R		D	S	P	R	O	M
---	---	---	---	---	--	---	---	---	---	---	---

* This display stays and sound is muted.

2. Trouble in EEPROM

If data from EEPROM (ICS21) does not match, FLD shows below.

C	L	E	A	R		M	E	M	O	R	Y
---	---	---	---	---	--	---	---	---	---	---	---

* After displaying it, Back-up Data is reset to default.

3. Trouble in EEPROM I/F

If communication with EEPROM(ICS21) is troubled more than 2 seconds, FLD shows below.

E	R	R	O	R		E	E	P		I	F
---	---	---	---	---	--	---	---	---	--	---	---

4. Trouble in 5V Supply

If 5V supply to DIGITAL/AUDIO PCB is troubled, FLD shows below.

E	R	R	O	R		P	O	W	5	V	
---	---	---	---	---	--	---	---	---	---	---	--

5. Trouble in 5V Supply

If 5V supply to P604(DSP/CPU PCB) is troubled, FLD shows below.

P	R	O	T	E	C	T					
---	---	---	---	---	---	---	--	--	--	--	--

* If a trouble is detected upon turning on the power, CPU turns off the speaker relay.

And if the trouble is not recovered within 2 seconds, CPU turns the unit into stand-by.

If DC offset or over current is detected while the power is on, CPU turns off the speaker relay.

If overheat or some trouble is detected on the main transformer, CPU turns the unit into stand-by immediately.

9. ELECTRICAL PARTS LIST

ASSIGNMENT OF COMMON PARTS CODES.

RESISTORS

R***: 1) GD05××× 140, Carbon film fixed resistor, ±5% 1/4W
 R***: 2) GD05××× 160, Carbon film fixed resistor, ±5% 1/6W

① — Resistance value

Examples ;

① Resistance value
 0.1 Ω 001 10 Ω 100 1 kΩ 102 100 kΩ 104
 0.5 Ω 005 18 Ω 180 2.7 kΩ 272 680 kΩ 684
 1 Ω 010 100 Ω 101 10 kΩ 103 1 MΩ 105
 6.8 Ω 068 390 Ω 391 22 kΩ 223 4.7 MΩ 475

Note : Please distinguish 1/4W from 1/6W by the shape of parts used actually.

CAPACITORS

C***: CERAMIC CAP.

3) DD1×××× 370, Ceramic capacitor
 Disc type
 Temp.coeff.P350 ~N1000, 50V
 ② — Tolerance
 ③ — Capacity value
 — Tolerance

Examples ;

② Tolerance (Capacity deviation)
 ±0.25 pF 0
 ±0.5 pF 1
 ±5% 5

* Tolerance of COMMON PARTS handled here are as follows :

0.5 pF ~ 5 pF ±0.25 pF
 6 pF ~ 10 pF ±0.5 pF
 12 pF ~ 560 pF ±5%

③ Capacity value

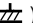
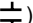
0.5 pF 005 3 pF 030 100 pF 101
 1 pF 010 10 pF 100 220 pF 221
 1.5 pF 015 47 pF 470 560 pF 561

C***: CERAMIC CAP.

4) DK16××× 300, High dielectric constant ceramic capacitor
 Disc type
 Temp.chara. 2B4, 50V
 ④ — Capacity value

Examples ;

④ Capacity value
 100 pF 101 1000 pF 102 10000 pF 103
 470 pF 471 2200 pF 222

C***: 5) ELECTROLY CAP. (), 6) FILM CAP. ()

5) EA××××× 10, Electrolytic capacitor
 One-way lead type, Tolerance ±20%
 ⑤ — Capacity value
 ⑥ — Working voltage

Examples ;

⑤ Capacity value
 0.1 μF 104 4.7 μF 475 100 μF 107
 0.33 μF 334 10 μF 106 330 μF 337
 1 μF 105 22 μF 226 1100 μF 118
 2200 μF 228

⑥ Working voltage

6.3V 006 25V 025
 10V 010 35V 035
 16V 016 50V 050

6) DF15××× 350 → Plastic film capacitor
 DF15××× 310 → One-way type, Mylar ±5% 50V
 DF16××× 310 → Plastic film capacitor
 One-way type, Mylar ±10% 50V
 ⑦ — Capacity value

Examples ;

⑦ Capacity value
 0.001 μF (1000 pF) 102 0.1 μF 104
 0.0018 μF 182 0.56 μF 564
 0.01 μF 103 1 μF 105
 0.015 μF 153

NOTE : 1) The above CODES (R***, R***, C***, C*** and C***) are omitted on the schematic diagram in some case.

2) On the occasion, be confirmed the common parts on the parts list.

3) Refer to "Common Parts List" for the other common parts (RI05, DD4, DK4).

NOTE ON SAFETY FOR FUSIBLE RESISTOR :

The suppliers and their type numbers of fusible resistors are as follows;

1. KOA Corporation

Part No. (MJI)	Type No. (KOA)	Description
NH05××× 140	RF25S×××× ΩJ	(±5% 1/4W)
NH05××× 120	RF50S×××× ΩJ	(±5% 1/2W)
NH85××× 110	RF73B2A×××× ΩJ	(±5% 1/10W)
NH95××× 140	RF73B2E×××× ΩJ	(±5% 1/4W)

* Resistance value * Resistance value
 (0.1 Ω – 10 kΩ)

2. Matsushita Electronic Components Co., Ltd

Part No. (MJI)	Type No. (MEC)	Description
NF05××× 140	ERD-2FCJ×××	(±5% 1/4W)
RF05××× 140		
NF02××× 140	ERD-2FCG×××	(±2% 1/4W)
RF02××× 140		

* Resistance value * Resistance value

Examples ;

* Resistance value
 0.1 Ω 001 10 Ω 100 1 kΩ 102 100 kΩ 104
 0.5 Ω 005 18 Ω 180 2.7 kΩ 272 680 kΩ 684
 1 Ω 010 100 Ω 101 10 kΩ 103 1 MΩ 105
 6.8 Ω 068 390 Ω 391 22 kΩ 223 4.7 MΩ 475



ABBREVIATION AND MARKS

ANT. : ANTENNA	BATT. : BATTERY
CAP. : CAPACITOR	CER. : CERAMIC
CONN. : CONNECTING	DIG. : DIGITAL
HP : HEADPHONE	MIC. : MICROPHONE
μ-PRO : MICROPROCESSOR	REC. : RECORDING
RES. : RESISTOR	SPK : SPEAKER
SW : SWITCH	TRANSF. : TRANSFORMER
TRIM. : TRIMMING	TRS. : TRANSISTOR
VAR. : VARIABLE	X'TAL : CRYSTAL


NOTE ON FUSE :

Regarding to all parts of parts code **FS20xxx2xx**, replace only with Wickmann-Werke GmbH, Type 372 non glass type fuse.

NOTE ON SAFETY :

Symbol  Fire or electrical shock hazard. Only original parts should be used to replaced any part marked with symbol  . Any other component substitution (other than original type), may increase risk of fire or electrical shock hazard.

安全上の注意 :

 がついている部品は、安全上重要な部品です。必ず指定されている部品番号の部品を使用して下さい。

POS. NO	VERS. COLOR	PART NO. (FOR EUR)	PART NO. (MJI)	DESCRIPTION		
				VIDEO PCB		
CV101						
}		OA47502550	OA47502550	ELECT. CAP.	4.7µF,16V	CD1101C4R7T5S0511 ECEA1CAE4R7MB
CV104						
CV105		nsp	DD95470300	CHIP CAP.	47pF, 50V	CC41-0805COG470J500NT ECUV1H470JCN
CV106		nsp	DD95470300	CHIP CAP.	47pF, 50V	CC41-0805COG470J500NT ECUV1H470JCN
CV107		OA47701020	OA47701020	ELECT. CAP.	470µF,6.3V	CD1100J471T5S0611 ECEAOJQE471MB
CV108		nsp	DD95470300	CHIP CAP.	47pF, 50V	CC41-0805COG470J500NT ECUV1H470JCN
CV109		OA10602550	OA10602550	ELECT. CAP.	10µF,16V	CD1101C100T5S0511 ECEA1CAE100MB
CV111		OA10602550	OA10602550	ELECT. CAP.	10µF,16V	CD1101C100T5S0511 ECEA1CAE100MB
CV112		OA10602550	OA10602550	ELECT. CAP.	10µF,16V	CD1101C100T5S0511 ECEA1CAE100MB
CV113		nsp	DK96104300	CHIP CAP.	0.1µF, 50V	CT41-0805F104Z500NT ECUV1H104ZFN
CV114		OA10602550	OA10602550	ELECT. CAP.	10µF,16V	CD1101C100T5S0511 ECEA1CAE100MB
CV115		OA10602550	OA10602550	ELECT. CAP.	10µF,16V	CD1101C100T5S0511 ECEA1CAE100MB
CV116		OA47701020	OA47701020	ELECT. CAP.	470µF,6.3V	CD1100J471T5S0611 ECEAOJQE471MB
CV121		OA47701020	OA47701020	ELECT. CAP.	470µF,6.3V	CD1100J471T5S0611 ECEAOJQE471MB
CV122		OA10701620	OA10701620	ELECT. CAP.	100µF, 16V	CD1101C101T5S0511 ECEA1CAE101MB
CV123		nsp	DK96104300	CHIP CAP.	0.1µF, 50V	CT41-0805F104Z500NT ECUV1H104ZFN
CV152		OA10602550	OA10602550	ELECT. CAP.	10µF,16V	CD1101C100T5S0511 ECEA1CAE100MB
CV153		nsp	DK96103300	CHIP CAP.	0.01µF, 50V	CT41-0805B103K500NT ECUV1H103KBN
CV154		nsp	DK96103300	CHIP CAP.	0.01µF, 50V	CT41-0805B103K500NT ECUV1H103KBN
CV155		OA10602550	OA10602550	ELECT. CAP.	10µF,16V	CD1101C100T5S0511 ECEA1CAE100MB
CV156		nsp	DK96103300	CHIP CAP.	0.01µF, 50V	CT41-0805B103K500NT ECUV1H103KBN
CV157		nsp	DK96102300	CHIP CAP.	1000pF, 50V	CT41-0805B102K500NT ECUV1H102KBN
CV158		nsp	DK96102300	CHIP CAP.	1000pF, 50V	CT41-0805B102K500NT ECUV1H102KBN
CV164		nsp	DK96104300	CHIP CAP.	0.1µF, 50V	CT41-0805F104Z500NT ECUV1H104ZFN
CV169		nsp	DK96103300	CHIP CAP.	0.01µF, 50V	CT41-0805B103K500NT ECUV1H103KBN
CV170		nsp	DK96102300	CHIP CAP.	1000pF, 50V	CT41-0805B102K500NT ECUV1H102KBN
CV171						
}		nsp	DK96104300	CHIP CAP.	0.1µF, 50V	CT41-0805F104Z500NT ECUV1H104ZFN
CV175						
CV200		OA10602550	OA10602550	ELECT. CAP.	10µF,16V	CD1101C100T5S0511 ECEA1CAE100MB
CV202		OA47502550	OA47502550	ELECT. CAP.	4.7µF,16V	CD1101C4R7T5S0511 ECEA1CAE4R7MB
CV203		OA10602550	OA10602550	ELECT. CAP.	10µF,16V	CD1101C100T5S0511 ECEA1CAE100MB
CV204		OA10602550	OA10602550	ELECT. CAP.	10µF,16V	CD1101C100T5S0511 ECEA1CAE100MB
CV214		OA47502550	OA47502550	ELECT. CAP.	4.7µF,16V	CD1101C4R7T5S0511 ECEA1CAE4R7MB
CV215		OA10602550	OA10602550	ELECT. CAP.	10µF,16V	CD1101C100T5S0511 ECEA1CAE100MB
CV220		OA47701020	OA47701020	ELECT. CAP.	470µF,6.3V	CD1100J471T5S0611 ECEAOJQE471MB
CV223		OA22601620	OA22601620	ELECT. CAP.	22µF, 16V	CD1101C220T5S0511 ECEA1CAE220MB
CV224		OA47701020	OA47701020	ELECT. CAP.	470µF,6.3V	CD1100J471T5S0611 ECEAOJQE471MB
CV227		OA22601620	OA22601620	ELECT. CAP.	22µF, 16V	CD1101C220T5S0511 ECEA1CAE220MB
CV228		OA10701620	OA10701620	ELECT. CAP.	100µF, 16V	CD1101C101T5S0511 ECEA1CAE101MB
CV229		nsp	DK96104300	CHIP CAP.	0.1µF, 50V	CT41-0805F104Z500NT ECUV1H104ZFN
CV233		OA10701620	OA10701620	ELECT. CAP.	100µF, 16V	CD1101C101T5S0511 ECEA1CAE101MB
CV234		nsp	DK96104300	CHIP CAP.	0.1µF, 50V	CT41-0805F104Z500NT ECUV1H104ZFN
CV235		OA10701620	OA10701620	ELECT. CAP.	100µF, 16V	CD1101C101T5S0511 ECEA1CAE101MB
CV236		nsp	DK96104300	CHIP CAP.	0.1µF, 50V	CT41-0805F104Z500NT ECUV1H104ZFN
CV240		OA10701620	OA10701620	ELECT. CAP.	100µF, 16V	CD1101C101T5S0511 ECEA1CAE101MB
CV241		nsp	DK96104300	CHIP CAP.	0.1µF, 50V	CT41-0805F104Z500NT ECUV1H104ZFN
GNV1		nsp	nsp	TERMINAL	GND LAG	FKV7.725.014
ICV101		HC10210090	HC10210090	IC	DMP16	NJM2296M OICNJM2296M
ICV106		HC709405B0	HC709405B0	IC	DIP	74HC4094N/ OIC74HC4094AP OIC74HC4094AP
ICV201		HC10210090	HC10210090	IC	DMP16	NJM2296M OICNJM2296M
ICV202		HC10210090	HC10210090	IC	DMP16	NJM2296M OICNJM2296M
JFV101		nsp	nsp	FPC CONNECTOR	11Pin,1.25mm	FAASE1162 VJS11FC11
JFV201		nsp	nsp	CONNECTOR	9Pin,2.0mm,UL	PH09A-20WE VJS09PH11E
JLV101						
}		nsp	nsp	JUMPER WIRE		JPL0000
JLV202						
JRV101		*YT002860R	*YT002860R	TERMINAL	3P CINCH	AV3-8.4-14 VJJ01303
JRV102		*YT002840R	*YT002840R	TERMINAL	2P CINCH	AV2-8.4 VJJ01203
JRV103		*YT002840R	*YT002840R	TERMINAL	2P CINCH	AV2-8.4 VJJ01203
JRV201		*YT002930R	*YT002930R	S TERMINAL		JY-5036 VJJ03506D
JRV202		*YT002920R	*YT002920R	S TERMINAL		S-1 VJJ03506

NOTE : *nsp* PART IS LISTED FOR REFERENCE ONLY, MARANTZ WILL NOT SUPPLY THESE PARTS.

POS. NO	VERS. COLOR	PART NO. (FOR EUR)	PART NO. (MJI)	DESCRIPTION			
JRV203		*YT002920R	*YT002920R	S TERMINAL		S-1	VJJ03506
JV101							
}		nsp	nsp	JUMPER WIRE			JPL0000
JV206							
LV102		*FM100090R	*FM100090R	EMI FILTER	22000pF, 250V, 6A	DSS30691F223Z16V	ELCF223Z250V
LV103		*FM100090R	*FM100090R	EMI FILTER	22000pF, 250V, 6A	DSS30691F223Z16V	ELCF223Z250V
RV101		NI05750110	NI05750110	CHIP RES.	75Ω,1/10W	RC05K750JT	ERJ6GEKJ750V
RV102		*NI001030R	*NI001030R	CHIP RES.	3.3Ω,1/10W	RC05K3R3JT	ERJ6GEKJ3R3V
RV103		NI05750110	NI05750110	CHIP RES.	75Ω,1/10W	RC05K750JT	ERJ6GEKJ750V
RV104		*NI001030R	*NI001030R	CHIP RES.	3.3Ω,1/10W	RC05K3R3JT	ERJ6GEKJ3R3V
RV105		NI05750110	NI05750110	CHIP RES.	75Ω,1/10W	RC05K750JT	ERJ6GEKJ750V
RV106		*NI001030R	*NI001030R	CHIP RES.	3.3Ω,1/10W	RC05K3R3JT	ERJ6GEKJ3R3V
RV107		NI05750110	NI05750110	CHIP RES.	75Ω,1/10W	RC05K750JT	ERJ6GEKJ750V
RV108		*NI001030R	*NI001030R	CHIP RES.	3.3Ω,1/10W	RC05K3R3JT	ERJ6GEKJ3R3V
RV109		NI05750110	NI05750110	CHIP RES.	75Ω,1/10W	RC05K750JT	ERJ6GEKJ750V
RV110		NI05750110	NI05750110	CHIP RES.	75Ω,1/10W	RC05K750JT	ERJ6GEKJ750V
RV111		NI05750110	NI05750110	CHIP RES.	75Ω,1/10W	RC05K750JT	ERJ6GEKJ750V
RV119							
}		NI05102110	NI05102110	CHIP RES.	1.00kΩ,1/10W	RC05K1001FT	ERJ6GEKF102V
RV122							
RV123		NI05472110	NI05472110	CHIP RES.	4.7kΩ,1/10W	RC05K472JT	ERJ6GEKJ472V
RV147							
}		NI05102110	NI05102110	CHIP RES.	1.00kΩ,1/10W	RC05K1001FT	ERJ6GEKF102V
RV151							
RV152		NI05472110	NI05472110	CHIP RES.	4.7kΩ,1/10W	RC05K472JT	ERJ6GEKJ472V
RV153		NI05000110	NI05000110	CHIP RES.	0Ω,1/10W	RC05K000FT	ERJ6GEKF000V
RV154		NI05000110	NI05000110	CHIP RES.	0Ω,1/10W	RC05K000FT	ERJ6GEKF000V
RV155		NI05000110	NI05000110	CHIP RES.	0Ω,1/10W	RC05K000FT	ERJ6GEKF000V
RV201		NI05750110	NI05750110	CHIP RES.	75Ω,1/10W	RC05K750JT	ERJ6GEKJ750V
RV202		NI05750110	NI05750110	CHIP RES.	75Ω,1/10W	RC05K750JT	ERJ6GEKJ750V
RV203		*NI001030R	*NI001030R	CHIP RES.	3.3Ω,1/10W	RC05K3R3JT	ERJ6GEKJ3R3V
RV204		NI05750110	NI05750110	CHIP RES.	75Ω,1/10W	RC05K750JT	ERJ6GEKJ750V
RV205		NI05750110	NI05750110	CHIP RES.	75Ω,1/10W	RC05K750JT	ERJ6GEKJ750V
RV206		NI05000110	NI05000110	CHIP RES.	0Ω,1/10W	RC05K000FT	ERJ6GEKF000V
RV207		NI05750110	NI05750110	CHIP RES.	75Ω,1/10W	RC05K750JT	ERJ6GEKJ750V
RV208		NI05750110	NI05750110	CHIP RES.	75Ω,1/10W	RC05K750JT	ERJ6GEKJ750V
RV209		NI05000110	NI05000110	CHIP RES.	0Ω,1/10W	RC05K000FT	ERJ6GEKF000V
RV210		NI05750110	NI05750110	CHIP RES.	75Ω,1/10W	RC05K750JT	ERJ6GEKJ750V
RV211		NI05750110	NI05750110	CHIP RES.	75Ω,1/10W	RC05K750JT	ERJ6GEKJ750V
RV212		*NI001030R	*NI001030R	CHIP RES.	3.3Ω,1/10W	RC05K3R3JT	ERJ6GEKJ3R3V
RV215							
}		NI05750110	NI05750110	CHIP RES.	75Ω,1/10W	RC05K750JT	ERJ6GEKJ750V
RV218							
RV220		NI05472110	NI05472110	CHIP RES.	4.7kΩ,1/10W	RC05K472JT	ERJ6GEKJ472V
RV221		NI05472110	NI05472110	CHIP RES.	4.7kΩ,1/10W	RC05K472JT	ERJ6GEKJ472V
				DIGITAL/AUDIO PCB			
CS01		OA10701020	OA10701020	ELECT. CAP.	100μF,6.3V	CD1100J101T5S0511	ECEA0JAE101MB
CS02		nsp	DK96104300	CHIP CAP.	0.1μF, 50V	CT41-0603F104Z500NT	ECUV1H104ZFV
CS03		nsp	DK96104300	CHIP CAP.	0.1μF, 50V	CT41-0603F104Z500NT	ECUV1H104ZFV
CS04		OA10701020	OA10701020	ELECT. CAP.	100μF,6.3V	CD1100J101T5S0511	ECEA0JAE101MB
CS05		nsp	DK96104300	CHIP CAP.	0.1μF, 50V	CT41-0603F104Z500NT	ECUV1H104ZFV
CS06		nsp	DK96104300	CHIP CAP.	0.1μF, 50V	CT41-0603F104Z500NT	ECUV1H104ZFV
CS100		nsp	DK96104300	CHIP CAP.	0.1μF, 50V	CT41-0603F104Z500NT	ECUV1H104ZFV
CS103							
}		nsp	DD95101300	CHIP CAP.	100pF, 50V	CC41-0603COG101J500NT	ECUV1H101JCV
CS108							
CS109		nsp	DD95220300	CHIP CAP.	22pF, 50V	CC41-0603COG220J500NT	ECUV1H220JCV
CS110		nsp	DD95220300	CHIP CAP.	22pF, 50V	CC41-0603COG220J500NT	ECUV1H220JCV
CS111		nsp	DD95101300	CHIP CAP.	100pF, 50V	CC41-0603COG101J500NT	ECUV1H101JCV
CS112		nsp	DD95101300	CHIP CAP.	100pF, 50V	CC41-0603COG101J500NT	ECUV1H101JCV
CS113		nsp	DD95220300	CHIP CAP.	22pF, 50V	CC41-0603COG220J500NT	ECUV1H220JCV
CS114		nsp	DD95220300	CHIP CAP.	22pF, 50V	CC41-0603COG220J500NT	ECUV1H220JCV
CS115		nsp	DD95101300	CHIP CAP.	100pF, 50V	CC41-0603COG101J500NT	ECUV1H101JCV

NOTE : *nsp* PART IS LISTED FOR REFERENCE ONLY, MARANTZ WILL NOT SUPPLY THESE PARTS.

POS. NO	VERS. COLOR	PART NO. (FOR EUR)	PART NO. (MJI)	DESCRIPTION			
CS116		nsp	DD95101300	CHIP CAP.	100pF, 50V	CC41-0603COG101J500NT	ECUV1H101JCV
CS125							
}		OA47505020	OA47505020	ELECT. CAP.	4.7µF,50V	CD1101H4R7T5S0511	ECEA1HAE4R7MB
CS140							
CS143		*OF100310R	*OF100310R	FILM CAP.	63V,0.10µF	CL23B-63V-0.10uF-J-T	ECQQ1J104JZ
CS144		*OF100310R	*OF100310R	FILM CAP.	63V,0.10µF	CL23B-63V-0.10uF-J-T	ECQQ1J104JZ
CS145		*OF100320R	*OF100320R	FILM CAP.	63V,0.0027µF	CL23B-63V-0.0027uF-J-T	ECQQ1J272JZ
CS146		OA22505020	OA22505020	ELECT. CAP.	50V,2.2µF	CD1101H2R2T5S0511	ECEA1HAE2R2MB
CS147		*OF100310R	*OF100310R	FILM CAP.	63V,0.10µF	CL23B-63V-0.10uF-J-T	ECQQ1J104JZ
CS148		*OF100310R	*OF100310R	FILM CAP.	63V,0.10µF	CL23B-63V-0.10uF-J-T	ECQQ1J104JZ
CS149		OA22505020	OA22505020	ELECT. CAP.	50V,2.2µF	CD1101H2R2T5S0511	ECEA1HAE2R2MB
CS150		*OF100310R	*OF100310R	FILM CAP.	63V,0.10µF	CL23B-63V-0.10uF-J-T	ECQQ1J104JZ
CS151		*OF100320R	*OF100320R	FILM CAP.	63V,0.0027µF	CL23B-63V-0.0027uF-J-T	ECQQ1J272JZ
CS160		nsp	DK96102300	CHIP CAP.	1000pF, 50V	CT41-0603B102K500NT	ECUV1H102KBV
CS161		nsp	DK96104300	CHIP CAP.	0.1µF, 50V	CT41-0603F104Z500NT	ECUV1H104ZFV
CS162		nsp	DK96102300	CHIP CAP.	1000pF, 50V	CT41-0603B102K500NT	ECUV1H102KBV
CS163							
}		nsp	DK96104300	CHIP CAP.	0.1µF, 50V	CT41-0603F104Z500NT	ECUV1H104ZFV
CS180							
CS201		nsp	DD95101300	CHIP CAP.	100pF, 50V	CC41-0603COG101J500NT	ECUV1H101JCV
CS202		OA22605020	OA22605020	ELECT. CAP.	22µF,50V	CD1101H220T5S0511	ECEA1HAE220MB
CS203		OA47605020	OA47605020	ELECT. CAP.	47µF,50V	CD1101H470T5S0611	ECEA1HQE470MB
CS204		nsp	DK96104300	CHIP CAP.	0.1µF, 50V	CT41-0603F104Z500NT	ECUV1H104ZFV
CS205		OA47605020	OA47605020	ELECT. CAP.	47µF,50V	CD1101H470T5S0611	ECEA1HQE470MB
CS206		nsp	DK96471300	CHIP CAP.	470pF, 50V	CC41-0603COG471J500NT	ECUV1H471JCV
CS207		OA47605020	OA47605020	ELECT. CAP.	47µF,50V	CD1101H470T5S0611	ECEA1HQE470MB
CS208		nsp	DK96104300	CHIP CAP.	0.1µF, 50V	CT41-0603F104Z500NT	ECUV1H104ZFV
CS209		nsp	DK96471300	CHIP CAP.	470pF, 50V	CC41-0603COG471J500NT	ECUV1H471JCV
CS210		OA22605020	OA22605020	ELECT. CAP.	22µF,50V	CD1101H220T5S0511	ECEA1HAE220MB
CS211		OA47605020	OA47605020	ELECT. CAP.	47µF,50V	CD1101H470T5S0611	ECEA1HQE470MB
CS212		nsp	DD95101300	CHIP CAP.	100pF, 50V	CC41-0603COG101J500NT	ECUV1H101JCV
CS213		nsp	DD95101300	CHIP CAP.	100pF, 50V	CC41-0603COG101J500NT	ECUV1H101JCV
CS214		OA22605020	OA22605020	ELECT. CAP.	22µF,50V	CD1101H220T5S0511	ECEA1HAE220MB
CS215		OA47605020	OA47605020	ELECT. CAP.	47µF,50V	CD1101H470T5S0611	ECEA1HQE470MB
CS216		nsp	DK96104300	CHIP CAP.	0.1µF, 50V	CT41-0603F104Z500NT	ECUV1H104ZFV
CS217		nsp	DK96471300	CHIP CAP.	470pF, 50V	CC41-0603COG471J500NT	ECUV1H471JCV
CS218		OA47605020	OA47605020	ELECT. CAP.	47µF,50V	CD1101H470T5S0611	ECEA1HQE470MB
CS219		OA47605020	OA47605020	ELECT. CAP.	47µF,50V	CD1101H470T5S0611	ECEA1HQE470MB
CS220		nsp	DK96104300	CHIP CAP.	0.1µF, 50V	CT41-0603F104Z500NT	ECUV1H104ZFV
CS221		nsp	DK96471300	CHIP CAP.	470pF, 50V	CC41-0603COG471J500NT	ECUV1H471JCV
CS222		OA22605020	OA22605020	ELECT. CAP.	22µF,50V	CD1101H220T5S0511	ECEA1HAE220MB
CS223		OA47605020	OA47605020	ELECT. CAP.	47µF,50V	CD1101H470T5S0611	ECEA1HQE470MB
CS224		nsp	DD95101300	CHIP CAP.	100pF, 50V	CC41-0603COG101J500NT	ECUV1H101JCV
CS301		nsp	DD95101300	CHIP CAP.	100pF, 50V	CC41-0603COG101J500NT	ECUV1H101JCV
CS302		OA22605020	OA22605020	ELECT. CAP.	22µF,50V	CD1101H220T5S0511	ECEA1HAE220MB
CS303		OA47605020	OA47605020	ELECT. CAP.	47µF,50V	CD1101H470T5S0611	ECEA1HQE470MB
CS304		nsp	DK96104300	CHIP CAP.	0.1µF, 50V	CT41-0603F104Z500NT	ECUV1H104ZFV
CS305		nsp	DK96471300	CHIP CAP.	470pF, 50V	CC41-0603COG471J500NT	ECUV1H471JCV
CS306		OA47605020	OA47605020	ELECT. CAP.	47µF,50V	CD1101H470T5S0611	ECEA1HQE470MB
CS307		OA47605020	OA47605020	ELECT. CAP.	47µF,50V	CD1101H470T5S0611	ECEA1HQE470MB
CS308		nsp	DK96104300	CHIP CAP.	0.1µF, 50V	CT41-0603F104Z500NT	ECUV1H104ZFV
CS309		nsp	DK96471300	CHIP CAP.	470pF, 50V	CC41-0603COG471J500NT	ECUV1H471JCV
CS310		OA22605020	OA22605020	ELECT. CAP.	22µF,50V	CD1101H220T5S0511	ECEA1HAE220MB
CS311		OA47605020	OA47605020	ELECT. CAP.	47µF,50V	CD1101H470T5S0611	ECEA1HQE470MB
CS312		nsp	DD95101300	CHIP CAP.	100pF, 50V	CC41-0603COG101J500NT	ECUV1H101JCV
CS316		nsp	DK96104300	CHIP CAP.	0.1µF, 50V	CT41-0603F104Z500NT	ECUV1H104ZFV
CS319		OA47605020	OA47605020	ELECT. CAP.	47µF,50V	CD1101H470T5S0611	ECEA1HQE470MB
CS320		nsp	DK96104300	CHIP CAP.	0.1µF, 50V	CT41-0603F104Z500NT	ECUV1H104ZFV
CS321		nsp	DK96471300	CHIP CAP.	470pF, 50V	CC41-0603COG471J500NT	ECUV1H471JCV
CS322		OA22605020	OA22605020	ELECT. CAP.	22µF,50V	CD1101H220T5S0511	ECEA1HAE220MB
CS323		OA47605020	OA47605020	ELECT. CAP.	47µF,50V	CD1101H470T5S0611	ECEA1HQE470MB
CS324		nsp	DD95101300	CHIP CAP.	100pF, 50V	CC41-0603COG101J500NT	ECUV1H101JCV
CS325							
}		nsp	DK96104300	CHIP CAP.	0.1µF, 50V	CT41-0603F104Z500NT	ECUV1H104ZFV
CS330							

NOTE : *nsp* PART IS LISTED FOR REFERENCE ONLY, MARANTZ WILL NOT SUPPLY THESE PARTS.

POS. NO	VERS. COLOR	PART NO. (FOR EUR)	PART NO. (MJI)	DESCRIPTION			
CS350							
}		OA10605020	OA10605020	ELECT. CAP.	10µF, 50V	CD1101H100T5S0511	ECEA1HAE100MB
CS356							
CS401		OA47605020	OA47605020	ELECT. CAP.	47µF,50V	CD1101H470T5S0611	ECEA1HQE470MB
CS402		nsp	DK96104300	CHIP CAP.	0.1µF, 50V	CT41-0603F104Z500NT	ECUV1H104ZFV
CS403		OA47605020	OA47605020	ELECT. CAP.	47µF,50V	CD1101H470T5S0611	ECEA1HQE470MB
CS404		nsp	DK96104300	CHIP CAP.	0.1µF, 50V	CT41-0603F104Z500NT	ECUV1H104ZFV
CS405		OA10701020	OA10701020	ELECT. CAP.	100µF,6.3V	CD1100J101T5S0511	ECEA0JAE101MB
CS406		nsp	DK96104300	CHIP CAP.	0.1µF, 50V	CT41-0603F104Z500NT	ECUV1H104ZFV
CS407		OA10701020	OA10701020	ELECT. CAP.	100µF,6.3V	CD1100J101T5S0511	ECEA0JAE101MB
CS408		nsp	DK96104300	CHIP CAP.	0.1µF, 50V	CT41-0603F104Z500NT	ECUV1H104ZFV
CS409		OA10701020	OA10701020	ELECT. CAP.	100µF,6.3V	CD1100J101T5S0511	ECEA0JAE101MB
CS410		nsp	DK96104300	CHIP CAP.	0.1µF, 50V	CT41-0603F104Z500NT	ECUV1H104ZFV
CS411		OA10701020	OA10701020	ELECT. CAP.	100µF,6.3V	CD1100J101T5S0511	ECEA0JAE101MB
CS412							
}		nsp	DK96104300	CHIP CAP.	0.1µF, 50V	CT41-0603F104Z500NT	ECUV1H104ZFV
CS416							
CS417		OA10701020	OA10701020	ELECT. CAP.	100µF,6.3V	CD1100J101T5S0511	ECEA0JAE101MB
CS418		OA22505020	OA22505020	ELECT. CAP.	50V,2.2µF	CD1101H2R2T5S0511	ECEA1HAE2R2MB
CS419		nsp	DK96104300	CHIP CAP.	0.1µF, 50V	CT41-0603F104Z500NT	ECUV1H104ZFV
CS420		nsp	DK96104300	CHIP CAP.	0.1µF, 50V	CT41-0603F104Z500NT	ECUV1H104ZFV
CS421							
}		OA47505020	OA47505020	ELECT. CAP.	4.7µF,50V	CD1101H4R7T5S0511	ECEA1HAE4R7MB
CS430							
CS431		nsp	DK96104300	CHIP CAP.	0.1µF, 50V	CT41-0603F104Z500NT	ECUV1H104ZFV
CS432		OA10701020	OA10701020	ELECT. CAP.	100µF,6.3V	CD1100J101T5S0511	ECEA0JAE101MB
CS433		nsp	nsp	CERAMIC CAP.	50V,100000pF,2F4	CT1-50V-06a-2F4-100000pFZ	ECKR1H104Z06F
CS434		OA10701020	OA10701020	ELECT. CAP.	100µF,6.3V	CD1100J101T5S0511	ECEA0JAE101MB
CS503		nsp	DK96104300	CHIP CAP.	0.1µF, 50V	CT41-0603F104Z500NT	ECUV1H104ZFV
CS504		nsp	DK96331300	CHIP CAP.	330pF, 50V	CC41-0603COG331J500NT	ECUV1H331JCV
CS505		OA22605020	OA22605020	ELECT. CAP.	22µF,50V	CD1101H220T5S0511	ECEA1HAE220MB
CS506		nsp	DK96471300	CHIP CAP.	470pF, 50V	CC41-0603COG471J500NT	ECUV1H471JCV
CS507		nsp	DK96104300	CHIP CAP.	0.1µF, 50V	CT41-0603F104Z500NT	ECUV1H104ZFV
CS508		nsp	DK96331300	CHIP CAP.	330pF, 50V	CC41-0603COG331J500NT	ECUV1H331JCV
CS509		OA22605020	OA22605020	ELECT. CAP.	22µF,50V	CD1101H220T5S0511	ECEA1HAE220MB
CS511		nsp	DK96471300	CHIP CAP.	470pF, 50V	CC41-0603COG471J500NT	ECUV1H471JCV
CS512		nsp	DK96331300	CHIP CAP.	330pF, 50V	CC41-0603COG331J500NT	ECUV1H331JCV
CS513		OA22605020	OA22605020	ELECT. CAP.	22µF,50V	CD1101H220T5S0511	ECEA1HAE220MB
CS514		nsp	DK96471300	CHIP CAP.	470pF, 50V	CC41-0603COG471J500NT	ECUV1H471JCV
CS515		nsp	DK96104300	CHIP CAP.	0.1µF, 50V	CT41-0603F104Z500NT	ECUV1H104ZFV
CS516		nsp	DK96104300	CHIP CAP.	0.1µF, 50V	CT41-0603F104Z500NT	ECUV1H104ZFV
CS517		nsp	DK96331300	CHIP CAP.	330pF, 50V	CC41-0603COG331J500NT	ECUV1H331JCV
CS519		OA22605020	OA22605020	ELECT. CAP.	22µF,50V	CD1101H220T5S0511	ECEA1HAE220MB
CS520		nsp	DK96471300	CHIP CAP.	470pF, 50V	CC41-0603COG471J500NT	ECUV1H471JCV
CS553		nsp	DK96103300	CHIP CAP.	0.01µF, 50V	CT41-0603F103Z500NT	ECUV1H103ZFV
CS554		nsp	DK96103300	CHIP CAP.	0.01µF, 50V	CT41-0603F103Z500NT	ECUV1H103ZFV
CS555		OA10705020	OA10705020	ELECT. CAP.	100µF,50V	CD1101H101T5S0811	ECEA1HCE101MB
CS602		nsp	DK96104300	CHIP CAP.	0.1µF, 50V	CT41-0603F104Z500NT	ECUV1H104ZFV
CS603		nsp	DK96331300	CHIP CAP.	330pF, 50V	CC41-0603COG331J500NT	ECUV1H331JCV
CS604		OA22605020	OA22605020	ELECT. CAP.	22µF,50V	CD1101H220T5S0511	ECEA1HAE220MB
CS605		nsp	DK96471300	CHIP CAP.	470pF, 50V	CC41-0603COG471J500NT	ECUV1H471JCV
CS606		nsp	DK96104300	CHIP CAP.	0.1µF, 50V	CT41-0603F104Z500NT	ECUV1H104ZFV
CS607		nsp	DK96331300	CHIP CAP.	330pF, 50V	CC41-0603COG331J500NT	ECUV1H331JCV
CS608		nsp	DK96471300	CHIP CAP.	470pF, 50V	CC41-0603COG471J500NT	ECUV1H471JCV
CS613		nsp	DK96104300	CHIP CAP.	0.1µF, 50V	CT41-0603F104Z500NT	ECUV1H104ZFV
CS614		nsp	DK96104300	CHIP CAP.	0.1µF, 50V	CT41-0603F104Z500NT	ECUV1H104ZFV
CS615		nsp	DK96331300	CHIP CAP.	330pF, 50V	CC41-0603COG331J500NT	ECUV1H331JCV
CS616		OA22605020	OA22605020	ELECT. CAP.	22µF,50V	CD1101H220T5S0511	ECEA1HAE220MB
CS617		nsp	DK96471300	CHIP CAP.	470pF, 50V	CC41-0603COG471J500NT	ECUV1H471JCV
CS638		nsp	DK96104300	CHIP CAP.	0.1µF, 50V	CT41-0603F104Z500NT	ECUV1H104ZFV
CS639		nsp	DK96104300	CHIP CAP.	0.1µF, 50V	CT41-0603F104Z500NT	ECUV1H104ZFV
CS641		nsp	DD95220300	CHIP CAP.	22pF, 50V	CC41-0603COG220J500NT	ECUV1H220JCV
CS642		nsp	DD95220300	CHIP CAP.	22pF, 50V	CC41-0603COG220J500NT	ECUV1H220JCV
CS643		nsp	DD95101300	CHIP CAP.	100pF, 50V	CC41-0603COG101J500NT	ECUV1H101JCV
CS644		nsp	DD95101300	CHIP CAP.	100pF, 50V	CC41-0603COG101J500NT	ECUV1H101JCV

NOTE : *nsp* PART IS LISTED FOR REFERENCE ONLY, MARANTZ WILL NOT SUPPLY THESE PARTS.

POS. NO	VERS. COLOR	PART NO. (FOR EUR)	PART NO. (MJI)	DESCRIPTION			
CS645		nsp	DD95220300	CHIP CAP.	22pF, 50V	CC41-0603COG220J500NT	ECUV1H220JCV
CS646		nsp	DD95220300	CHIP CAP.	22pF, 50V	CC41-0603COG220J500NT	ECUV1H220JCV
CS647		nsp	DD95101300	CHIP CAP.	100pF, 50V	CC41-0603COG101J500NT	ECUV1H101JCV
CS648		nsp	DD95101300	CHIP CAP.	100pF, 50V	CC41-0603COG101J500NT	ECUV1H101JCV
CS651		nsp	DK96104300	CHIP CAP.	0.1µF, 50V	CT41-0603F104Z500NT	ECUV1H104ZFV
CS652		OA47605020	OA47605020	ELECT. CAP.	47µF,50V	CD1101H470T5S0611	ECEA1HQE470MB
CS653		nsp	DK96104300	CHIP CAP.	0.1µF, 50V	CT41-0603F104Z500NT	ECUV1H104ZFV
CS654		OA47605020	OA47605020	ELECT. CAP.	47µF,50V	CD1101H470T5S0611	ECEA1HQE470MB
CS655		nsp	DK96104300	CHIP CAP.	0.1µF, 50V	CT41-0603F104Z500NT	ECUV1H104ZFV
CS656		nsp	DK96104300	CHIP CAP.	0.1µF, 50V	CT41-0603F104Z500NT	ECUV1H104ZFV
CS701		OA47601640	OA47601640	ELECT. CAP.	16V, 47µF	CD1101C470T5S0511	ECEA1CAE470MB
CS702		nsp	DK96104300	CHIP CAP.	0.1µF, 50V	CT41-0603F104Z500NT	ECUV1H104ZFV
CS703		OA47601640	OA47601640	ELECT. CAP.	16V, 47µF	CD1101C470T5S0511	ECEA1CAE470MB
CS704		nsp	DK96104300	CHIP CAP.	0.1µF, 50V	CT41-0603F104Z500NT	ECUV1H104ZFV
CS705		OA22505020	OA22505020	ELECT. CAP.	50V,2.2µF	CD1101H2R2T5S0511	ECEA1HAE2R2MB
CS706		nsp	DK96103300	CHIP CAP.	0.01µF, 50V	CT41-0603F103Z500NT	ECUV1H103ZFV
CS707		nsp	DK96471300	CHIP CAP.	470pF, 50V	CC41-0603COG471J500NT	ECUV1H471JCV
CS708		OA47601640	OA47601640	ELECT. CAP.	16V, 47µF	CD1101C470T5S0511	ECEA1CAE470MB
CS709		nsp	DK96104300	CHIP CAP.	0.1µF, 50V	CT41-0603F104Z500NT	ECUV1H104ZFV
CS710		nsp	DK96104300	CHIP CAP.	0.1µF, 50V	CT41-0603F104Z500NT	ECUV1H104ZFV
CS711		OA47601640	OA47601640	ELECT. CAP.	16V, 47µF	CD1101C470T5S0511	ECEA1CAE470MB
CS712		nsp	DK96104300	CHIP CAP.	0.1µF, 50V	CT41-0603F104Z500NT	ECUV1H104ZFV
CS713		OA47601640	OA47601640	ELECT. CAP.	16V, 47µF	CD1101C470T5S0511	ECEA1CAE470MB
CS714							
∫		nsp	DK96104300	CHIP CAP.	0.1µF, 50V	CT41-0603F104Z500NT	ECUV1H104ZFV
CS801							
CS802		OA47601640	OA47601640	ELECT. CAP.	16V, 47µF	CD1101C470T5S0511	ECEA1CAE470MB
CS803		nsp	DD95270300	CHIP CAP.	27pF, 50V	CC41-0603COG270J500NT	ECUV1H270JCV
CS804		nsp	DD95270300	CHIP CAP.	27pF, 50V	CC41-0603COG270J500NT	ECUV1H270JCV
CS805		OA47601640	OA47601640	ELECT. CAP.	16V, 47µF	CD1101C470T5S0511	ECEA1CAE470MB
CS806		nsp	DK96104300	CHIP CAP.	0.1µF, 50V	CT41-0603F104Z500NT	ECUV1H104ZFV
CS809		OA47505020	OA47505020	ELECT. CAP.	4.7µF,50V	CD1101H4R7T5S0511	ECEA1HAE4R7MB
CS810		nsp	DD95101300	CHIP CAP.	100pF, 50V	CC41-0603COG101J500NT	ECUV1H101JCV
CS812		nsp	DK96103300	CHIP CAP.	0.01µF, 50V	CT41-0603F103Z500NT	ECUV1H103ZFV
CS814		OA47505020	OA47505020	ELECT. CAP.	4.7µF,50V	CD1101H4R7T5S0511	ECEA1HAE4R7MB
CS815		nsp	DD95101300	CHIP CAP.	100pF, 50V	CC41-0603COG101J500NT	ECUV1H101JCV
CS816		nsp	DK96104300	CHIP CAP.	0.1µF, 50V	CT41-0603F104Z500NT	ECUV1H104ZFV
CS817		nsp	DK96104300	CHIP CAP.	0.1µF, 50V	CT41-0603F104Z500NT	ECUV1H104ZFV
CS818		OA47601640	OA47601640	ELECT. CAP.	16V, 47µF	CD1101C470T5S0511	ECEA1CAE470MB
CS819		OA22605020	OA22605020	ELECT. CAP.	22µF,50V	CD1101H220T5S0511	ECEA1HAE220MB
CS820		nsp	DK96103300	CHIP CAP.	0.01µF, 50V	CT41-0603F103Z500NT	ECUV1H103ZFV
CS821		nsp	DK96104300	CHIP CAP.	0.1µF, 50V	CT41-0603F104Z500NT	ECUV1H104ZFV
CS823		nsp	DK96104300	CHIP CAP.	0.1µF, 50V	CT41-0603F104Z500NT	ECUV1H104ZFV
CS824		nsp	DK96104300	CHIP CAP.	0.1µF, 50V	CT41-0603F104Z500NT	ECUV1H104ZFV
CS825		OA47601640	OA47601640	ELECT. CAP.	16V, 47µF	CD1101C470T5S0511	ECEA1CAE470MB
CS826		nsp	DK96104300	CHIP CAP.	0.1µF, 50V	CT41-0603F104Z500NT	ECUV1H104ZFV
CS827		OA47601640	OA47601640	ELECT. CAP.	16V, 47µF	CD1101C470T5S0511	ECEA1CAE470MB
CS828		nsp	DD95101300	CHIP CAP.	100pF, 50V	CC41-0603COG101J500NT	ECUV1H101JCV
CS829		nsp	DD95101300	CHIP CAP.	100pF, 50V	CC41-0603COG101J500NT	ECUV1H101JCV
CS830		OA10602550	OA10602550	ELECT. CAP.	10µF,16V	CD1101C100T5S0511	ECEA1CAE100MB
CS831		nsp	DK96104300	CHIP CAP.	0.1µF, 50V	CT41-0603F104Z500NT	ECUV1H104ZFV
CS832		nsp	DK96104300	CHIP CAP.	0.1µF, 50V	CT41-0603F104Z500NT	ECUV1H104ZFV
CS833		nsp	DD95330300	CHIP CAP.	33pF, 50V	CC41-0603COG330J500NT	ECUV1H330JCV
CS834		nsp	DD95330300	CHIP CAP.	33pF, 50V	CC41-0603COG330J500NT	ECUV1H330JCV
CS835		OA47601640	OA47601640	ELECT. CAP.	16V, 47µF	CD1101C470T5S0511	ECEA1CAE470MB
CS836							
∫		nsp	DK96104300	CHIP CAP.	0.1µF, 50V	CT41-0603F104Z500NT	ECUV1H104ZFV
CS843							
CS844		nsp	DK96103300	CHIP CAP.	0.01µF, 50V	CT41-0603F103Z500NT	ECUV1H103ZFV
CS845		nsp	DK96103300	CHIP CAP.	0.01µF, 50V	CT41-0603F103Z500NT	ECUV1H103ZFV
CS846		nsp	DK96102300	CHIP CAP.	1000pF, 50V	CT41-0603B102K500NT	ECUV1H102KBV
CS847		nsp	DK96102300	CHIP CAP.	1000pF, 50V	CT41-0603B102K500NT	ECUV1H102KBV
CS848		nsp	DK96102300	CHIP CAP.	1000pF, 50V	CT41-0603B102K500NT	ECUV1H102KBV
CS849		nsp	DK96103300	CHIP CAP.	0.01µF, 50V	CT41-0603F103Z500NT	ECUV1H103ZFV
CS850		nsp	DK96103300	CHIP CAP.	0.01µF, 50V	CT41-0603F103Z500NT	ECUV1H103ZFV

NOTE : *nsp* PART IS LISTED FOR REFERENCE ONLY, MARANTZ WILL NOT SUPPLY THESE PARTS.

POS. NO	VERS. COLOR	PART NO. (FOR EUR)	PART NO. (MJI)	DESCRIPTION			
CS851		nsp	DK96104300	CHIP CAP.	0.1µF, 50V	CT41-0603F104Z500NT	ECUV1H104ZFV
CS852		OA10800620	OA10800620	ELECT. CAP.	1000µF,6.3V	CD1100J102T5S0811	ECEA0JCE102MB
CS866		nsp	DK96104300	CHIP CAP.	0.1µF, 50V	CT41-0603F104Z500NT	ECUV1H104ZFV
DS1							
}		nsp	*HD201690R	DIODE		1N4001	ODI1N4001
DS5							
DS6							
}		nsp	*HD201710R	DIODE		1N4148	ODI1N4148
DS9							
FS01		*FM100090R	*FM100090R	EMI FILTER	22000pF, 250V, 6A	DSS30691F223Z16V	ELCF223Z250V
FS02		*FM100090R	*FM100090R	EMI FILTER	22000pF, 250V, 6A	DSS30691F223Z16V	ELCF223Z250V
FS401							
}		*FM100090R	*FM100090R	EMI FILTER	22000pF, 250V, 6A	DSS30691F223Z16V	ELCF223Z250V
FS404							
GND1		nsp	nsp	TERMINAL	GND LAG		FKV7.725.014
GND2		nsp	nsp	TERMINAL	GND LAG		FKV7.725.014
ICS01		HC3890809F	HC3890809F	IC		NJM7808FA	OICNJM7808FA
ICS02		HC3990809F	HC3990809F	IC		NJM7908FA	OICNJM7908FA
ICS03		*HC108180R	*HC108180R	IC	QFP	M61516FP	OICM61516FP
ICS04							
}		HC10035090	HC10035090	IC	DUAL OP-AMP.	NJM4558MTE3	OICNJM4558MTE3
ICS07							
ICS08		*HC108140R	*HC108140R	IC		AK4529VQ	OICAK4529VQ
ICS09							
}		HC10102090	HC10102090	IC		NJM2068M	OICNJM2068M
ICS12							
ICS13		*HC108170R	*HC108170R	IC		CS49326	OICCS49326
ICS14		*HS09AWX0R	*HS09AWX0R	IC		MX29LV040QC-90	OICMX29LV040QC90
ICS15		*HC700490R	*HC700490R	IC	TSSOP	74LCX574MTC	OIC74LCX574MTC
ICS16		*HC700490R	*HC700490R	IC	TSSOP	74LCX574MTC	OIC74LCX574MTC
ICS17		*HC108160R	*HC108160R	IC		BD4742G	OICBD4742G
ICS18		*HU100620R	*HU100620R	IC	FP-100B	H8/3026F	OICH83026F
ICS19		*HC108130R	*HC108130R	IC	VSOP28	AK4112B	OICAK4112B
ICS20		*HC700500R	*HC700500R	IC		NC7WZ04P6	OICNC7WZ04P6
ICS21		HC10003990	HC10003990	IC	SOP8	AT24C08	OICBR24C08F
ICS22		*HC108150R	*HC108150R	IC		BD4727G	OICBD4727G
ICS23		HC10035090	HC10035090	IC	DUAL OP-AMP.	NJM4558MTE3	OICNJM4558MTE3
ICS24		*HC700460R	*HC700460R	IC	SOIC	74HCT04D	OIC74HCT04D
ICS25		*HC700460R	*HC700460R	IC	SOIC	74HCT04D	OIC74HCT04D
ICS26							
}		HZ20007210	HZ20007210	DIODE		IMN10	ODIIMN10
ICS29							
ICS30		*HC700470R	*HC700470R	IC	SOIC	74LCX00M	OIC74LCX00M
ICS31		*HC700480R	*HC700480R	IC	SOIC	74LCX32M	OIC74LCX32M
ICS33		HC3891209F	HC3891209F	IC	VOLTAGE REGULATOR	7812FA	OICNJM7812FA
ICS35							
}		HZ20007210	HZ20007210	DIODE		IMN10	ODIIMN10
ICS38							
JFS01		nsp	nsp	CONNECTOR	11Pin,2.0mm,UL	PH11A-20E	VJS11PH01E
JFS03		nsp	nsp	CONNECTOR	12Pin,2.0mm,UL	PH12A-20E	VJS12PH01E
JFS05		nsp	nsp	CONNECTOR	9Pin,2.0mm,UL	PH09A-20E	VJS09PH01E
JFS06		nsp	nsp	CONNECTOR	10Pin,2.5mm,UL	XH10A-25E	VJS10XH01E
JFS07		nsp	nsp	CONNECTOR	8Pin,2.0mm,UL	PH8A-20E	VJS08PH01E
JFS08		nsp	nsp	FPC CONNECTOR	11Pin,1.25mm	FAASD1162	VJS11FC01
JFS09		nsp	nsp	FPC CONNECTOR	17Pin,1.25mm	FAASD1762	VJS17FC01
JFS10		nsp	nsp	FPC CONNECTOR	16Pin,1.25mm	FAASE1662	VJS16FC11
JFS11		nsp	nsp	FPC CONNECTOR	15Pin,1.25mm	FAASE62	VJS15FC11
JRS01		*YT002880R	*YT002880R	TERMINAL	4P CINCH	AV4 -8.4-13	VJJ01403
JRS02		*YT002880R	*YT002880R	TERMINAL	4P CINCH	AV4 -8.4-13	VJJ01403
JRS03		*YT002900R	*YT002900R	TERMINAL	6P CINCH	AV6 -8.4-13	VJJ01603
JRS04		*YT002880R	*YT002880R	TERMINAL	4P CINCH	AV4 -8.4-13	VJJ01403
JRS05		*YT002880R	*YT002880R	TERMINAL	4P CINCH	AV4 -8.4-13	VJJ01403
LS801							
}		nsp	NN05100610	CHIP RES.	10Ω/16W	RC03K100JT	ERJ3GSKJ100V
LS804							

NOTE : *nsp* PART IS LISTED FOR REFERENCE ONLY, MARANTZ WILL NOT SUPPLY THESE PARTS.

POS. NO	VERS. COLOR	PART NO. (FOR EUR)	PART NO. (MJI)	DESCRIPTION			
LS805							
}		nsp	NN05000610	CHIP RES.	0Ω 1/16W	RC03K000JT	ERJ3GSKJ000V
LS808							
LS809							
}		nsp	NN05100610	CHIP RES.	10Ω 1/16W	RC03K100JT	ERJ3GSKJ100V
LS813							
LS814		nsp	NN05000610	CHIP RES.	0Ω 1/16W	RC03K000JT	ERJ3GSKJ000V
LS815		nsp	NN05000610	CHIP RES.	0Ω 1/16W	RC03K000JT	ERJ3GSKJ000V
LS816							
}		nsp	NN05101610	CHIP RES.	100Ω 1/16W	RC03K101JT	ERJ3GSKJ101V
LS819							
LS821		nsp	NN05000610	CHIP RES.	0Ω 1/16W	RC03K000JT	ERJ3GSKJ000V
LS822		nsp	NN05000610	CHIP RES.	0Ω 1/16W	RC03K000JT	ERJ3GSKJ000V
LS823		nsp	NN05000610	CHIP RES.	0Ω 1/16W	RC03K000JT	ERJ3GSKJ000V
LS824		nsp	NN05101610	CHIP RES.	100Ω 1/16W	RC03K101JT	ERJ3GSKJ101V
LS825		nsp	NN05101610	CHIP RES.	100Ω 1/16W	RC03K101JT	ERJ3GSKJ101V
LS831							
}		*FC900300R	*FC900300R	FERRITE CORE	600Ω	CBG1608U601/ BGH1608A601/ STBH1608-601	ELVUA601T
LS833							
LS839		nsp	NN05100610	CHIP RES.	10Ω 1/16W	RC03K100JT	ERJ3GSKJ100V
LS840							
}		nsp	NN05330610	CHIP RES.	33Ω 1/16W	RC03K330JT	ERJ3GSKJ330V
LS843							
LS844		*FC900300R	*FC900300R	FERRITE CORE	600Ω	CBG1608U601/ BGH1608A601/ STBH1608-601	ELVUA601T
LS845		nsp	NN05101610	CHIP RES.	100Ω 1/16W	RC03K101JT	ERJ3GSKJ101V
LS846		nsp	NN05101610	CHIP RES.	100Ω 1/16W	RC03K101JT	ERJ3GSKJ101V
LS847		nsp	NN05100610	CHIP RES.	10Ω 1/16W	RC03K100JT	ERJ3GSKJ100V
LS849							
}		nsp	NN05101610	CHIP RES.	100Ω 1/16W	RC03K101JT	ERJ3GSKJ101V
LS854							
QS01		BA20081210	BA20081210	SEMICON.COMP		DTC144EKAT146	OTRDTC144EKAT146
QS02		*BA001440R	*BA001440R	SEMICON.COMP		DTA144EK	OTRDTA144EK
QS03		BA20081210	BA20081210	SEMICON.COMP		DTC144EKAT146	OTRDTC144EKAT146
QS04		*BA001440R	*BA001440R	SEMICON.COMP		DTA144EK	OTRDTA144EK
QS05		BA20005210	BA20005210	SEMICON.COMP		DTC114EK	OTRDTC114EK
QS06		BA10023210	BA10023210	SEMICON.COMP	SMT3	DTA114EKA	OTRDTA114EKA
QS09		BA20081210	BA20081210	SEMICON.COMP		DTC144EKAT146	OTRDTC144EKAT146
QS10							
}		BA10023210	BA10023210	SEMICON.COMP	SMT3	DTA114EKA	OTRDTA114EKA
QS14							
QS15		BA20005210	BA20005210	SEMICON.COMP		DTC114EK	OTRDTC114EK
QS16		BA10023210	BA10023210	SEMICON.COMP	SMT3	DTA114EKA	OTRDTA114EKA
QS17		BA20005210	BA20005210	SEMICON.COMP		DTC114EK	OTRDTC114EK
QS20		BA20005210	BA20005210	SEMICON.COMP		DTC114EK	OTRDTC114EK
QS201							
}		*HX100150R	*HX100150R	TRANSISTOR		2SC4213	OTR2SC4213
QS208							
QS22		*HY200020R	*HY200020R	TRANSISTOR		2SK2824	OTR2SK2824
QS23		*HY200020R	*HY200020R	TRANSISTOR		2SK2824	OTR2SK2824
QS301							
}		*HX100150R	*HX100150R	TRANSISTOR		2SC4213	OTR2SC4213
QS306							
RS10							
}		nsp	NN05473610	CHIP RES.	47kΩ,1/16W	RC03K473JT	ERJ3GSKJ473V
RS14							
RS100		nsp	NN05100610	CHIP RES.	10Ω,1/16W	RC03K100JT	ERJ3GSKJ100V
RS101		nsp	NN05100610	CHIP RES.	10Ω,1/16W	RC03K100JT	ERJ3GSKJ100V
RS102		nsp	NN05102610	CHIP RES.	1KΩ 1/16W	RC03K100JT	ERJ3GSKJ102V
RS103		nsp	nsp	RES.	4.7Ω,1/4W	RT14-4.7Ω-T26B	ERD14TJ4R7T

NOTE : *nsp* PART IS LISTED FOR REFERENCE ONLY, MARANTZ WILL NOT SUPPLY THESE PARTS.

POS. NO	VERS. COLOR	PART NO. (FOR EUR)	PART NO. (MJI)	DESCRIPTION			
RS105							
}		nsp	NN05101610	CHIP RES.	100Ω,1/16W	RC03K101JT	ERJ3GSKJ101V
RS110							
RS111		nsp	NN05102610	CHIP RES.	1kΩ,1/16W	RC03K102JT	ERJ3GSKJ102V
RS112		nsp	NN05102610	CHIP RES.	1kΩ,1/16W	RC03K102JT	ERJ3GSKJ102V
RS113		nsp	NN05274610	CHIP RES.	270kΩ,1/16W	RC03K274JT	ERJ3GSKJ274V
RS114		nsp	NN05274610	CHIP RES.	270kΩ,1/16W	RC03K274JT	ERJ3GSKJ274V
RS115		nsp	NN05101610	CHIP RES.	100Ω,1/16W	RC03K101JT	ERJ3GSKJ101V
RS116		nsp	NN05101610	CHIP RES.	100Ω,1/16W	RC03K101JT	ERJ3GSKJ101V
RS117		nsp	NN05102610	CHIP RES.	1kΩ,1/16W	RC03K102JT	ERJ3GSKJ102V
RS118		nsp	NN05102610	CHIP RES.	1kΩ,1/16W	RC03K102JT	ERJ3GSKJ102V
RS119		nsp	NN05274610	CHIP RES.	270kΩ,1/16W	RC03K274JT	ERJ3GSKJ274V
RS120		nsp	NN05274610	CHIP RES.	270kΩ,1/16W	RC03K274JT	ERJ3GSKJ274V
RS127							
}		nsp	NN05473610	CHIP RES.	47kΩ,1/16W	RC03K473JT	ERJ3GSKJ473V
RS145							
RS146		nsp	NN05101610	CHIP RES.	100Ω,1/16W	RC03K101JT	ERJ3GSKJ101V
RS147		nsp	NN05101610	CHIP RES.	100Ω,1/16W	RC03K101JT	ERJ3GSKJ101V
RS148		nsp	*NN000510R	CHIP RES.	7.5kΩ,1/16W	RC03K752JT	ERJ3GSKJ752V
RS157		nsp	*NN000510R	CHIP RES.	7.5kΩ,1/16W	RC03K752JT	ERJ3GSKJ752V
RS158		nsp	NN05101610	CHIP RES.	100Ω,1/16W	RC03K101JT	ERJ3GSKJ101V
RS159		nsp	NN05101610	CHIP RES.	100Ω,1/16W	RC03K101JT	ERJ3GSKJ101V
RS170		nsp	NN05473610	CHIP RES.	47kΩ,1/16W	RC03K473JT	ERJ3GSKJ473V
RS201		nsp	NN05562610	CHIP RES.	5.6kΩ,1/16W	RC03K562JT	ERJ3GSKJ562V
RS202		nsp	NN05221610	CHIP RES.	220Ω,1/16W	RC03K221JT	ERJ3GSKJ221V
RS203		nsp	NN05221610	CHIP RES.	220Ω,1/16W	RC03K221JT	ERJ3GSKJ221V
RS204		nsp	*NN000500R	CHIP RES.	2.4kΩ,1/16W	RC03K242JT	ERJ3GSKJ242V
RS205		nsp	NN05473610	CHIP RES.	47kΩ,1/16W	RC03K473JT	ERJ3GSKJ473V
RS206		nsp	NN05473610	CHIP RES.	47kΩ,1/16W	RC03K473JT	ERJ3GSKJ473V
RS207		nsp	NN05473610	CHIP RES.	47kΩ,1/16W	RC03K473JT	ERJ3GSKJ473V
RS208		nsp	NN05472610	CHIP RES.	4.7kΩ,1/16W	RC03K472JT	ERJ3GSKJ472V
RS209		nsp	*NN000500R	CHIP RES.	2.4kΩ,1/16W	RC03K242JT	ERJ3GSKJ242V
RS210		nsp	NN05473610	CHIP RES.	47kΩ,1/16W	RC03K473JT	ERJ3GSKJ473V
RS211		nsp	NN05221610	CHIP RES.	220Ω,1/16W	RC03K221JT	ERJ3GSKJ221V
RS212		nsp	NN05562610	CHIP RES.	5.6kΩ,1/16W	RC03K562JT	ERJ3GSKJ562V
RS213		nsp	NN05221610	CHIP RES.	220Ω,1/16W	RC03K221JT	ERJ3GSKJ221V
RS214		nsp	NN05472610	CHIP RES.	4.7kΩ,1/16W	RC03K472JT	ERJ3GSKJ472V
RS215		nsp	NN05105610	CHIP RES.	1MΩ,1/16W	RC03K105JT	ERJ3GSKJ105V
RS216		nsp	NN05472610	CHIP RES.	4.7kΩ,1/16W	RC03K472JT	ERJ3GSKJ472V
RS217		nsp	NN05221610	CHIP RES.	220Ω,1/16W	RC03K221JT	ERJ3GSKJ221V
RS218		nsp	NN05123610	CHIP RES.	12kΩ,1/16W	RC03K123JT	ERJ3GSKJ123V
RS219		nsp	NN05221610	CHIP RES.	220Ω,1/16W	RC03K221JT	ERJ3GSKJ221V
RS220		nsp	NN05105611	CHIP RES.	1MΩ,1/16W	RC03K105JT	ERJ3GSKJ105V
RS221		nsp	NN05102610	CHIP RES.	1kΩ,1/16W	RC03K102JT	ERJ3GSKJ102V
RS222		nsp	NN05473610	CHIP RES.	47kΩ,1/16W	RC03K473JT	ERJ3GSKJ473V
RS223		nsp	NN05473610	CHIP RES.	47kΩ,1/16W	RC03K473JT	ERJ3GSKJ473V
RS224		nsp	NN05473610	CHIP RES.	47kΩ,1/16W	RC03K473JT	ERJ3GSKJ473V
RS225		nsp	NN05472610	CHIP RES.	4.7kΩ,1/16W	RC03K472JT	ERJ3GSKJ472V
RS226		nsp	*NN000500R	CHIP RES.	2.4kΩ,1/16W	RC03K242JT	ERJ3GSKJ242V
RS227		nsp	NN05473610	CHIP RES.	47kΩ,1/16W	RC03K473JT	ERJ3GSKJ473V
RS228		nsp	NN05221610	CHIP RES.	220Ω,1/16W	RC03K221JT	ERJ3GSKJ221V
RS229		nsp	NN05562610	CHIP RES.	5.6kΩ,1/16W	RC03K562JT	ERJ3GSKJ562V
RS230		nsp	NN05221610	CHIP RES.	220Ω,1/16W	RC03K221JT	ERJ3GSKJ221V
RS231		nsp	NN05105612	CHIP RES.	1MΩ,1/16W	RC03K105JT	ERJ3GSKJ105V
RS251		nsp	NN05472610	CHIP RES.	4.7kΩ,1/16W	RC03K472JT	ERJ3GSKJ472V
RS252		nsp	NN05472610	CHIP RES.	4.7kΩ,1/16W	RC03K472JT	ERJ3GSKJ472V
RS253		nsp	NN05330610	CHIP RES.	33Ω,1/16W	RC03K330JT	ERJ3GSKJ330V
RS254		nsp	NN05330610	CHIP RES.	33Ω,1/16W	RC03K330JT	ERJ3GSKJ330V
RS255		nsp	NN05472610	CHIP RES.	4.7kΩ,1/16W	RC03K472JT	ERJ3GSKJ472V
RS256		nsp	NN05472610	CHIP RES.	4.7kΩ,1/16W	RC03K472JT	ERJ3GSKJ472V
RS257		nsp	NN05330610	CHIP RES.	33Ω,1/16W	RC03K330JT	ERJ3GSKJ330V
RS258		nsp	NN05330610	CHIP RES.	33Ω,1/16W	RC03K330JT	ERJ3GSKJ330V
RS301		nsp	NN05562610	CHIP RES.	5.6kΩ,1/16W	RC03K562JT	ERJ3GSKJ562V

NOTE : *nsp* PART IS LISTED FOR REFERENCE ONLY, MARANTZ WILL NOT SUPPLY THESE PARTS.

POS. NO	VERS. COLOR	PART NO. (FOR EUR)	PART NO. (MJI)	DESCRIPTION			
RS302		nsp	NN05221610	CHIP RES.	220Ω,1/16W	RC03K221JT	ERJ3GSKJ221V
RS303		nsp	NN05221610	CHIP RES.	220Ω,1/16W	RC03K221JT	ERJ3GSKJ221V
RS304		nsp	*NN000500R	CHIP RES.	2.4kΩ,1/16W	RC03K242JT	ERJ3GSKJ242V
RS305		nsp	NN05473610	CHIP RES.	47kΩ,1/16W	RC03K473JT	ERJ3GSKJ473V
RS306		nsp	NN05473610	CHIP RES.	47kΩ,1/16W	RC03K473JT	ERJ3GSKJ473V
RS307		nsp	NN05473610	CHIP RES.	47kΩ,1/16W	RC03K473JT	ERJ3GSKJ473V
RS308		nsp	NN05472610	CHIP RES.	4.7kΩ,1/16W	RC03K472JT	ERJ3GSKJ472V
RS309		nsp	*NN000500R	CHIP RES.	2.4kΩ,1/16W	RC03K242JT	ERJ3GSKJ242V
RS310		nsp	NN05473610	CHIP RES.	47kΩ,1/16W	RC03K473JT	ERJ3GSKJ473V
RS311		nsp	NN05221610	CHIP RES.	220Ω,1/16W	RC03K221JT	ERJ3GSKJ221V
RS312		nsp	NN05562610	CHIP RES.	5.6kΩ,1/16W	RC03K562JT	ERJ3GSKJ562V
RS313		nsp	NN05221610	CHIP RES.	220Ω,1/16W	RC03K221JT	ERJ3GSKJ221V
RS314		nsp	NN05472610	CHIP RES.	4.7kΩ,1/16W	RC03K472JT	ERJ3GSKJ472V
RS315		nsp	NN05105613	CHIP RES.	1MΩ,1/16W	RC03K105JT	ERJ3GSKJ105V
RS316		nsp	NN05472610	CHIP RES.	4.7kΩ,1/16W	RC03K472JT	ERJ3GSKJ472V
RS317		nsp	NN05221610	CHIP RES.	220Ω,1/16W	RC03K221JT	ERJ3GSKJ221V
RS320		nsp	NN05105614	CHIP RES.	1MΩ,1/16W	RC03K105JT	ERJ3GSKJ105V
RS324		nsp	NN05473610	CHIP RES.	47kΩ,1/16W	RC03K473JT	ERJ3GSKJ473V
RS325		nsp	NN05472610	CHIP RES.	4.7kΩ,1/16W	RC03K472JT	ERJ3GSKJ472V
RS326		nsp	*NN000500R	CHIP RES.	2.4kΩ,1/16W	RC03K242JT	ERJ3GSKJ242V
RS327		nsp	NN05473610	CHIP RES.	47kΩ,1/16W	RC03K473JT	ERJ3GSKJ473V
RS328		nsp	NN05221610	CHIP RES.	220Ω,1/16W	RC03K221JT	ERJ3GSKJ221V
RS329		nsp	NN05562610	CHIP RES.	5.6kΩ,1/16W	RC03K562JT	ERJ3GSKJ562V
RS351		nsp	NN05472610	CHIP RES.	4.7kΩ,1/16W	RC03K472JT	ERJ3GSKJ472V
RS352		nsp	NN05472610	CHIP RES.	4.7kΩ,1/16W	RC03K472JT	ERJ3GSKJ472V
RS353		nsp	NN05330610	CHIP RES.	33Ω,1/16W	RC03K330JT	ERJ3GSKJ330V
RS354		nsp	NN05330610	CHIP RES.	33Ω,1/16W	RC03K330JT	ERJ3GSKJ330V
RS358		nsp	NN05330610	CHIP RES.	33Ω,1/16W	RC03K330JT	ERJ3GSKJ330V
RS380							
}		nsp	NN05104610	CHIP RES.	100kΩ,1/16W	RC03K104JT	ERJ3GSKJ104V
RS386							
RS387		nsp	*NN000500R	CHIP RES.	2.4kΩ,1/16W	RC03K242JT	ERJ3GSKJ242V
RS388		nsp	*NN000500R	CHIP RES.	2.4kΩ,1/16W	RC03K242JT	ERJ3GSKJ242V
RS389		nsp	NN05102610	CHIP RES.	1kΩ,1/16W	RC03K102JT	ERJ3GSKJ102V
RS390							
}		nsp	*NN000500R	CHIP RES.	2.4kΩ,1/16W	RC03K242JT	ERJ3GSKJ242V
RS393							
RS401		nsp	NN05101610	CHIP RES.	100Ω,1/16W	RC03K101JT	ERJ3GSKJ101V
RS501		nsp	NN05102610	CHIP RES.	1kΩ,1/16W	RC03K102JT	ERJ3GSKJ102V
RS506		nsp	NN05102610	CHIP RES.	1kΩ,1/16W	RC03K102JT	ERJ3GSKJ102V
RS507		nsp	NN05472610	CHIP RES.	4.7kΩ,1/16W	RC03K472JT	ERJ3GSKJ472V
RS508		nsp	NN05102610	CHIP RES.	1kΩ,1/16W	RC03K102JT	ERJ3GSKJ102V
RS509		nsp	NN05104610	CHIP RES.	100kΩ,1/16W	RC03K104JT	ERJ3GSKJ104V
RS510		nsp	NN05472610	CHIP RES.	4.7kΩ,1/16W	RC03K472JT	ERJ3GSKJ472V
RS511		nsp	NN05472610	CHIP RES.	4.7kΩ,1/16W	RC03K472JT	ERJ3GSKJ472V
RS512		nsp	NN05472610	CHIP RES.	4.7kΩ,1/16W	RC03K472JT	ERJ3GSKJ472V
RS513		nsp	NN05102610	CHIP RES.	1kΩ,1/16W	RC03K102JT	ERJ3GSKJ102V
RS514		nsp	NN05104610	CHIP RES.	100kΩ,1/16W	RC03K104JT	ERJ3GSKJ104V
RS515		nsp	NN05822610	CHIP RES.	8.2kΩ,1/16W	RC03K822JT	ERJ3GSKJ822V
RS516		nsp	NN05102610	CHIP RES.	1kΩ,1/16W	RC03K102JT	ERJ3GSKJ102V
RS517		nsp	NN05104610	CHIP RES.	100kΩ,1/16W	RC03K104JT	ERJ3GSKJ104V
RS518		nsp	NN05472610	CHIP RES.	4.7kΩ,1/16W	RC03K472JT	ERJ3GSKJ472V
RS519		nsp	NN05822610	CHIP RES.	8.2kΩ,1/16W	RC03K822JT	ERJ3GSKJ822V
RS520		nsp	NN05102610	CHIP RES.	1kΩ,1/16W	RC03K102JT	ERJ3GSKJ102V
RS521		nsp	NN05472610	CHIP RES.	4.7kΩ,1/16W	RC03K472JT	ERJ3GSKJ472V
RS522		nsp	NN05104610	CHIP RES.	100kΩ,1/16W	RC03K104JT	ERJ3GSKJ104V
RS550		nsp	NN05472610	CHIP RES.	4.7kΩ,1/16W	RC03K472JT	ERJ3GSKJ472V
RS551		nsp	NN05332610	CHIP RES.	3.3kΩ,1/16W	RC03K332JT	ERJ3GSKJ332V
RS552		nsp	NN05332610	CHIP RES.	3.3kΩ,1/16W	RC03K332JT	ERJ3GSKJ332V
RS553		nsp	NN05472610	CHIP RES.	4.7kΩ,1/16W	RC03K472JT	ERJ3GSKJ472V
RS603		nsp	NN05472610	CHIP RES.	4.7kΩ,1/16W	RC03K472JT	ERJ3GSKJ472V
RS604		nsp	NN05102610	CHIP RES.	1kΩ,1/16W	RC03K102JT	ERJ3GSKJ102V
RS605		nsp	NN05104610	CHIP RES.	100kΩ,1/16W	RC03K104JT	ERJ3GSKJ104V

NOTE : *nsp PART IS LISTED FOR REFERENCE ONLY, MARANTZ WILL NOT SUPPLY THESE PARTS.

POS. NO	VERS. COLOR	PART NO. (FOR EUR)	PART NO. (MJ)	DESCRIPTION			
RS606		nsp	NN05332610	CHIP RES.	3.3k Ω ,1/16W	RC03K332JT	ERJ3GSKJ332V
RS607		nsp	NN05472610	CHIP RES.	4.7k Ω ,1/16W	RC03K472JT	ERJ3GSKJ472V
RS608		nsp	NN05562610	CHIP RES.	5.6k Ω ,1/16W	RC03K562JT	ERJ3GSKJ562V
RS609		nsp	NN05102610	CHIP RES.	1k Ω ,1/16W	RC03K102JT	ERJ3GSKJ102V
RS610		nsp	NN05104610	CHIP RES.	100k Ω ,1/16W	RC03K104JT	ERJ3GSKJ104V
RS614		nsp	NN05472610	CHIP RES.	4.7k Ω ,1/16W	RC03K472JT	ERJ3GSKJ472V
RS616		nsp	NN05822610	CHIP RES.	8.2k Ω ,1/16W	RC03K822JT	ERJ3GSKJ822V
RS617		nsp	NN05102610	CHIP RES.	1k Ω ,1/16W	RC03K102JT	ERJ3GSKJ102V
RS618		nsp	NN05104610	CHIP RES.	100k Ω ,1/16W	RC03K104JT	ERJ3GSKJ104V
RS650		nsp	NN05101610	CHIP RES.	100 Ω ,1/16W	RC03K101JT	ERJ3GSKJ101V
RS651		nsp	NN05101610	CHIP RES.	100 Ω ,1/16W	RC03K101JT	ERJ3GSKJ101V
RS652		nsp	NN05102610	CHIP RES.	1k Ω ,1/16W	RC03K102JT	ERJ3GSKJ102V
RS653		nsp	NN05274610	CHIP RES.	270k Ω ,1/16W	RC03K274JT	ERJ3GSKJ274V
RS654		nsp	NN05274610	CHIP RES.	270k Ω ,1/16W	RC03K274JT	ERJ3GSKJ274V
RS655		nsp	NN05102610	CHIP RES.	1k Ω ,1/16W	RC03K102JT	ERJ3GSKJ102V
RS656		nsp	NN05101610	CHIP RES.	100 Ω ,1/16W	RC03K101JT	ERJ3GSKJ101V
RS657		nsp	NN05101610	CHIP RES.	100 Ω ,1/16W	RC03K101JT	ERJ3GSKJ101V
RS658		nsp	NN05102610	CHIP RES.	1k Ω ,1/16W	RC03K102JT	ERJ3GSKJ102V
RS659		nsp	NN05274610	CHIP RES.	270k Ω ,1/16W	RC03K274JT	ERJ3GSKJ274V
RS660		nsp	NN05274610	CHIP RES.	270k Ω ,1/16W	RC03K274JT	ERJ3GSKJ274V
RS661		nsp	NN05102610	CHIP RES.	1k Ω ,1/16W	RC03K102JT	ERJ3GSKJ102V
RS662		nsp	NN05101610	CHIP RES.	100 Ω ,1/16W	RC03K101JT	ERJ3GSKJ101V
RS663		nsp	NN05101610	CHIP RES.	100 Ω ,1/16W	RC03K101JT	ERJ3GSKJ101V
RS701		nsp	NN05472610	CHIP RES.	4.7k Ω ,1/16W	RC03K472JT	ERJ3GSKJ472V
RS702		nsp	NN05222610	CHIP RES.	2.2k Ω ,1/16W	RC03K222JT	ERJ3GSKJ222V
RS703		nsp	NN05222610	CHIP RES.	2.2k Ω ,1/16W	RC03K222JT	ERJ3GSKJ222V
RS704		nsp	NN05103610	CHIP RES.	10k Ω ,1/16W	RC03K103JT	ERJ3GSKJ103V
RS705		nsp	NN05220610	CHIP RES.	22 Ω ,1/16W	RC03K220JT	ERJ3GSKJ220V
RS706		nsp	NN05220610	CHIP RES.	22 Ω ,1/16W	RC03K220JT	ERJ3GSKJ220V
RS707		nsp	NN05100610	CHIP RES.	10 Ω ,1/16W	RC03K100JT	ERJ3GSKJ100V
RS708		nsp	NN05330610	CHIP RES.	33 Ω ,1/16W	RC03K330JT	ERJ3GSKJ330V
RS709		nsp	NN05223610	CHIP RES.	22k Ω ,1/16W	RC03K223JT	ERJ3GSKJ223V
RS710		nsp	NN05333610	CHIP RES.	33k Ω ,1/16W	RC03K333JT	ERJ3GSKJ333V
RS711		nsp	NN05472610	CHIP RES.	4.7k Ω ,1/16W	RC03K472JT	ERJ3GSKJ472V
RS712		nsp	NN05472610	CHIP RES.	4.7k Ω ,1/16W	RC03K472JT	ERJ3GSKJ472V
RS713		nsp	NN05330610	CHIP RES.	33 Ω ,1/16W	RC03K330JT	ERJ3GSKJ330V
RS714		nsp	NN05223610	CHIP RES.	22k Ω ,1/16W	RC03K223JT	ERJ3GSKJ223V
RS715							
}		nsp	NN05330610	CHIP RES.	33 Ω ,1/16W	RC03K330JT	ERJ3GSKJ330V
RS718							
RS719		nsp	NN05332610	CHIP RES.	3.3k Ω ,1/16W	RC03K332JT	ERJ3GSKJ332V
RS722		nsp	NN05332610	CHIP RES.	3.3k Ω ,1/16W	RC03K332JT	ERJ3GSKJ332V
RS723		nsp	NN05000610	CHIP RES.	0 Ω ,1/16W	RC03K000JT	ERJ3GSKJ000V
RS724		nsp	NN05223610	CHIP RES.	22k Ω ,1/16W	RC03K223JT	ERJ3GSKJ223V
RS725		nsp	NN05000610	CHIP RES.	0 Ω ,1/16W	RC03K000JT	ERJ3GSKJ000V
RS727							
}		nsp	NN05472610	CHIP RES.	4.7k Ω ,1/16W	RC03K472JT	ERJ3GSKJ472V
RS735							
RS8		nsp	NN05473610	CHIP RES.	47k Ω ,1/16W	RC03K473JT	ERJ3GSKJ473V
RS800		nsp	NN05223610	CHIP RES.	22k Ω ,1/16W	RC03K223JT	ERJ3GSKJ223V
RS802		nsp	NN05222610	CHIP RES.	2.2k Ω ,1/16W	RC03K222JT	ERJ3GSKJ222V
RS803		nsp	NN05222610	CHIP RES.	2.2k Ω ,1/16W	RC03K222JT	ERJ3GSKJ222V
RS804		nsp	NN05472610	CHIP RES.	4.7k Ω ,1/16W	RC03K472JT	ERJ3GSKJ472V
RS805		nsp	NN05102610	CHIP RES.	1k Ω ,1/16W	RC03K102JT	ERJ3GSKJ102V
RS806							
}		nsp	NN05472610	CHIP RES.	4.7k Ω ,1/16W	RC03K472JT	ERJ3GSKJ472V
RS809							
RS811	/A/N	nsp	NN05000610	CHIP RES.	0 Ω ,1/16W	RC03K000JT	ERJ3GSKJ000V
RS811	/F		NN05222610	CHIP RES.	2.2k Ω ,1/16W	RC03K222JT	ERJ3GSKJ222V
RS811	/K		NN05392610	CHIP RES.	3.9k Ω ,1/16W	RC03K392JT	ERJ3GSKJ392V
RS811	/L		NN05822610	CHIP RES.	8.2k Ω ,1/16W	RC03K822JT	ERJ3GSKJ822V
RS812		nsp	NN05472610	CHIP RES.	4.7k Ω ,1/16W	RC03K472JT	ERJ3GSKJ472V
RS813		nsp	NN05472610	CHIP RES.	4.7k Ω ,1/16W	RC03K472JT	ERJ3GSKJ472V

NOTE : "nsp" PART IS LISTED FOR REFERENCE ONLY, MARANTZ WILL NOT SUPPLY THESE PARTS.

POS. NO	VERS. COLOR	PART NO. (FOR EUR)	PART NO. (MJI)	DESCRIPTION			
RS814		nsp	NN05000610	CHIP RES.	0Ω,1/16W	RC03K000JT	ERJ3GSKJ000V
RS815	/F/K/L		NN05472610	CHIP RES.	4.7kΩ,1/16W	RC03K472JT	ERJ3GSKJ472V
RS815	/U		NN05000610	CHIP RES.	0Ω,1/16W	RC03K000JT	ERJ3GSKJ000V
RS816		nsp	NN05123610	CHIP RES.	12kΩ,1/16W	RC03K123JT	ERJ3GSKJ123V
RS817		nsp	NN05123610	CHIP RES.	12kΩ,1/16W	RC03K123JT	ERJ3GSKJ123V
RS818		nsp	NN05123610	CHIP RES.	12kΩ,1/16W	RC03K123JT	ERJ3GSKJ123V
RS820		nsp	NN05105615	CHIP RES.	1MΩ,1/16W	RC03K105JT	ERJ3GSKJ105V
RS821		nsp	NN05222610	CHIP RES.	2.2kΩ,1/16W	RC03K222JT	ERJ3GSKJ222V
RS823		nsp	NN05103610	CHIP RES.	10kΩ,1/16W	RC03K103JT	ERJ3GSKJ103V
RS824		nsp	NN05470610	CHIP RES.	47Ω,1/16W	RC03K470JT	ERJ3GSKJ470V
RS825		nsp	NN05470610	CHIP RES.	47Ω,1/16W	RC03K470JT	ERJ3GSKJ470V
RS826		nsp	NN05103610	CHIP RES.	10kΩ,1/16W	RC03K103JT	ERJ3GSKJ103V
RS827		nsp	NN05153610	CHIP RES.	15kΩ,1/16W	RC03K153JT	ERJ3GSKJ153V
RS828		nsp	NN05221610	CHIP RES.	220Ω,1/16W	RC03K221JT	ERJ3GSKJ221V
RS829		nsp	NN05153610	CHIP RES.	15kΩ,1/16W	RC03K153JT	ERJ3GSKJ153V
RS830		nsp	NN05103610	CHIP RES.	10kΩ,1/16W	RC03K103JT	ERJ3GSKJ103V
RS831		nsp	NN05221610	CHIP RES.	220Ω,1/16W	RC03K221JT	ERJ3GSKJ221V
RS832							
	∫	nsp	NN05103610	CHIP RES.	10kΩ,1/16W	RC03K103JT	ERJ3GSKJ103V
RS841							
RS842		nsp	NN05472610	CHIP RES.	4.7kΩ,1/16W	RC03K472JT	ERJ3GSKJ472V
RS843		nsp	NN05000610	CHIP RES.	0Ω,1/16W	RC03K000JT	ERJ3GSKJ000V
RS844		nsp	NN05183610	CHIP RES.	18kΩ,1/16W	RC03K183JT	ERJ3GSKJ183V
RS845		nsp	NN05105616	CHIP RES.	1MΩ,1/16W	RC03K105JT	ERJ3GSKJ105V
RS860		nsp	NN05223610	CHIP RES.	22kΩ,1/16W	RC03K223JT	ERJ3GSKJ223V
RS870		nsp	NN05103610	CHIP RES.	10kΩ,1/16W	RC03K103JT	ERJ3GSKJ103V
RS871		nsp	NN05103610	CHIP RES.	10kΩ,1/16W	RC03K103JT	ERJ3GSKJ103V
RS873		nsp	NN05330610	CHIP RES.	33Ω,1/16W	RC03K330JT	ERJ3GSKJ330V
RS875		nsp	NN05473610	CHIP RES.	47kΩ,1/16W	RC03K473JT	ERJ3GSKJ473V
RS876		nsp	NN05473610	CHIP RES.	47kΩ,1/16W	RC03K473JT	ERJ3GSKJ473V
RS878		nsp	NN05683610	CHIP RES.	68kΩ,1/16W	RC03K683JT	ERJ3GSKJ683V
RS9		nsp	NN05473610	CHIP RES.	47kΩ,1/16W	RC03K473JT	ERJ3GSKJ473V
XRS201		*JX001010R	*JX001010R	CRYSTAL		12.288MHZHC-49U	VSXEN1228830
XRS202		*FQ000550R	*FQ000550R	CERAMIC RESONATOR	2 LEGS	Z20M	EFOZ20M
				MAIN PCB			
AN01		nsp	nsp	TERMINAL	GND LAG		FKV7.725.014
AN02		nsp	nsp	TERMINAL	GND LAG		FKV7.725.014
AN03		nsp	nsp	TERMINAL	GND LAG		FKV7.725.014
CN101		nsp	nsp	CERAMIC CAP.	50V,100000pF,2F4	CT1-50V-06a-2F4-100000pFZ	ECKR1H104Z06F
CN102		OA10701620	OA10701620	ELECT. CAP.	100μF, 16V	CD1101C101T5S0511	ECEA1CAE101MB
CN103		nsp	nsp	CERAMIC CAP.	50V,100000pF,2F4	CT1-50V-06a-2F4-100000pFZ	ECKR1H104Z06F
CN104		nsp	nsp	CERAMIC CAP.	50V,100000pF,2F4	CT1-50V-06a-2F4-100000pFZ	ECKR1H104Z06F
CN105		OA10701620	OA10701620	ELECT. CAP.	100μF, 16V	CD1101C101T5S0511	ECEA1CAE101MB
CN201		nsp	nsp	CERAMIC CAP.	50V,100000pF,2F4	CT1-50V-06a-2F4-100000pFZ	ECKR1H104Z06F
CN202		OA47601640	OA47601640	ELECT. CAP.	16V, 47μF	CD1101C470T5S0511	ECEA1CAE470MB
CN203		nsp	nsp	CERAMIC CAP.	50V,100000pF,2F4	CT1-50V-06a-2F4-100000pFZ	ECKR1H104Z06F
CN204		OA47601640	OA47601640	ELECT. CAP.	16V, 47μF	CD1101C470T5S0511	ECEA1CAE470MB
CN205		nsp	nsp	CERAMIC CAP.	50V,100000pF,2F4	CT1-50V-06a-2F4-100000pFZ	ECKR1H104Z06F
CN206		nsp	nsp	CERAMIC CAP.	50V,100000pF,2F4	CT1-50V-06a-2F4-100000pFZ	ECKR1H104Z06F
CN207		nsp	nsp	CERAMIC CAP.	50V,100000pF,2F4	CT1-50V-06a-2F4-100000pFZ	ECKR1H104Z06F
CN208		OA47601640	OA47601640	ELECT. CAP.	16V, 47μF	CD1101C470T5S0511	ECEA1CAE470MB
CN209		nsp	nsp	CERAMIC CAP.	50V,100pF±5%,SL	CC1-50V-06a-SL-100pFJ	ECCR1H101JY
CN210		nsp	nsp	CERAMIC CAP.	50V,100000pF,2F4	CT1-50V-06a-2F4-100000pFZ	ECKR1H104Z06F
CN211		nsp	nsp	CERAMIC CAP.	50V,100000pF,2F4	CT1-50V-06a-2F4-100000pFZ	ECKR1H104Z06F
CN301		nsp	nsp	CERAMIC CAP.	50V,10000pF,2F4	CT1-50V-08a-2F4-10000pFZ	ECKR1H103Z08F
CN302		nsp	nsp	CERAMIC CAP.	50V,10000pF,2F4	CT1-50V-08a-2F4-10000pFZ	ECKR1H103Z08F
CN303		OA10701620	OA10701620	ELECT. CAP.	100μF, 16V	CD1101C101T5S0511	ECEA1CAE101MB
CN304		OA10701620	OA10701620	ELECT. CAP.	100μF, 16V	CD1101C101T5S0511	ECEA1CAE101MB
CN305		nsp	nsp	CERAMIC CAP.	50V,10000pF,2F4	CT1-50V-08a-2F4-10000pFZ	ECKR1H103Z08F
CN306		nsp	nsp	CERAMIC CAP.	50V,10000pF,2F4	CT1-50V-08a-2F4-10000pFZ	ECKR1H103Z08F
CN307		OA10701620	OA10701620	ELECT. CAP.	100μF, 16V	CD1101C101T5S0511	ECEA1CAE101MB
CN308		OA47801620	OA47801620	ELECT. CAP.	4700UF, 16V	CD288H	ECEQ1CHJ472MS

NOTE : *nsp* PART IS LISTED FOR REFERENCE ONLY, MARANTZ WILL NOT SUPPLY THESE PARTS.

POS. NO	VERS. COLOR	PART NO. (FOR EUR)	PART NO. (MJI)	DESCRIPTION			
CN309		OA22801620	OA22801620	ELECT. CAP.	2200µF, 16V	CD1101C222S5S1225	ECEA1CFJ222MP
CN310		nsp	nsp	CERAMIC CAP.	50V,10000pF,2F4	CT1-50V-08a-2F4-10000pFZ	ECKR1H103Z08F
CN311		nsp	nsp	CERAMIC CAP.	50V,10000pF,2F4	CT1-50V-08a-2F4-10000pFZ	ECKR1H103Z08F
CN312		OA10701620	OA10701620	ELECT. CAP.	100µF, 16V	CD1101C101T5S0511	ECEA1CAE101MB
CN313		nsp	nsp	CERAMIC CAP.	50V,10000pF,2F4	CT1-50V-08a-2F4-10000pFZ	ECKR1H103Z08F
CN314		nsp	nsp	CERAMIC CAP.	50V,10000pF,2F4	CT1-50V-08a-2F4-10000pFZ	ECKR1H103Z08F
CN315		OA10701620	OA10701620	ELECT. CAP.	100µF, 16V	CD1101C101T5S0511	ECEA1CAE101MB
CN316		nsp	nsp	CERAMIC CAP.	50V,10000pF,2F4	CT1-50V-08a-2F4-10000pFZ	ECKR1H103Z08F
CN317		nsp	nsp	CERAMIC CAP.	50V,10000pF,2F4	CT1-50V-08a-2F4-10000pFZ	ECKR1H103Z08F
CN318		OA10701620	OA10701620	ELECT. CAP.	100µF, 16V	CD1101C101T5S0511	ECEA1CAE101MB
CN401		nsp	nsp	CERAMIC CAP.	100V 0.010uF	CL23B-100V-0.010uF-J-T	ECQQ2A103JZ
CN402		nsp	nsp	CERAMIC CAP.	100V 0.010uF	CL23B-100V-0.010uF-J-T	ECQQ2A103JZ
CN404		*EX000140R	*EX000140R	ELECT. CAP.	15000UF, 63V	CD293	ECEC1JNV153MR
CN405		*EX000140R	*EX000140R	ELECT. CAP.	63V,15000UF	CD293	ECEC1JNV153MR
CN406		OA47605020	OA47605020	ELECT. CAP.	47µF,50V	CD1101H470T5S0611	ECEA1HQE470MB
CN407		nsp	nsp	CERAMIC CAP.	50V,1000pF,2B4	CT1-50V-06a-2B4-1000pFK	ECKR1H102K06B
CN410		OA10803520	OA10803520	ELECT. CAP.	1000µF,35V	CD288H1V102S5S1225	ECEQ1VFJ102MP
CN411		nsp	nsp	CERAMIC CAP.	50V,100000pF,2F4	CT1-50V-06a-2F4-100000pFZ	ECKR1H104Z06F
CN412		nsp	nsp	CERAMIC CAP.	50V,100000pF,2F4	CT1-50V-06a-2F4-100000pFZ	ECKR1H104Z06F
CN413		OA10702520	OA10702520	ELECT. CAP.	100µF,25V	CD1101E101T5S0611	ECEA1EQE101MB
CN414		OA10803520	OA10803520	ELECT. CAP.	1000µF,35V	CD288H1V102S5S1225	ECEQ1VFJ102MP
CN415		nsp	nsp	CERAMIC CAP.	50V,100000pF,2F4	CT1-50V-06a-2F4-100000pFZ	ECKR1H104Z06F
CN416		nsp	nsp	CERAMIC CAP.	50V,100000pF,2F4	CT1-50V-06a-2F4-100000pFZ	ECKR1H104Z06F
CN417		OA10702520	OA10702520	ELECT. CAP.	100µF,25V	CD1101E101T5S0611	ECEA1EQE101MB
CN418		nsp	nsp	CERAMIC CAP.	50V,100000pF,2F4	CT1-50V-06a-2F4-100000pFZ	ECKR1H104Z06F
CN501		*OF100310R	*OF100310R	FILM CAP.	63V,0.10µF	CL23B-63V-0.10uF-J-T	ECQQ1J104JZ
CN504		*OF100310R	*OF100310R	FILM CAP.	63V,0.10µF	CL23B-63V-0.10uF-J-T	ECQQ1J104JZ
CN510		*OF100310R	*OF100310R	FILM CAP.	63V,0.10µF	CL23B-63V-0.10uF-J-T	ECQQ1J104JZ
CN601		nsp	nsp	CERAMIC CAP.	50V,1000pF,2B4	CT1-50V-06a-2B4-1000pFK	ECKR1H102K06B
CN603		nsp	nsp	CERAMIC CAP.	50V,100000pF,2F4	CT1-50V-06a-2F4-100000pFZ	ECKR1H104Z06F
CN605		nsp	nsp	CERAMIC CAP.	50V,10000pF,2F4	CT1-50V-08a-2F4-10000pFZ	ECKR1H103Z08F
CN606		OA47405020	OA47405020	ELECT. CAP.	0.47µF, 50V	CD1101HR47T5S0511	ECEA1HAER47MB
CN607		OA22705020	OA22705020	ELECT. CAP.	220µF, 50V	CD1101H221S5S1016	ECEA1HDH221MP
CN608		nsp	nsp	CERAMIC CAP.	50V,10000pF,2F4	CT1-50V-08a-2F4-10000pFZ	ECKR1H103Z08F
CN609		OA47405020	OA47405020	ELECT. CAP.	0.47µF, 50V	CD1101HR47T5S0511	ECEA1HAER47MB
CN610		nsp	nsp	CERAMIC CAP.	50V,1000pF,2B4	CT1-50V-06a-2B4-1000pFK	ECKR1H102K06B
CN611		nsp	nsp	CERAMIC CAP.	50V,1000pF,2B4	CT1-50V-06a-2B4-1000pFK	ECKR1H102K06B
CN701		OA22705020	OA22705020	ELECT. CAP.	220µF, 50V	CD1101H221S5S1016	ECEA1HDH221MP
CN801		OA10605020	OA10605020	ELECT. CAP.	10µF, 50V	CD1101H100T5S0511	ECEA1HAE100MB
DN101							
DN204		nsp	*HD201710R	DIODE		1N4148	ODI1N4148
DN301							
DN304		nsp	*HD201700R	DIODE		1N4002	ODI1N4002
DN305		*HD302110R	*HD302110R	ZENER DIODE		MTZJT773.0B	ODIMTZJ3R0BT77
DN306							
DN310		nsp	*HD201710R	DIODE		1N4148	ODI1N4148
DN401		*HE200320R	*HE200320R	DIODE	BRIDGE DIODE	RS604	ZLQRS604
DN402		*HE200320R	*HE200320R	DIODE	BRIDGE DIODE	RS604	ZLQRS604
DN404							
DN407		nsp	*HD201690R	DIODE		1N4001	ODI1N4001
DN410		nsp	*HD201710R	DIODE		1N4148	ODI1N4148
DN411		nsp	*HD201710R	DIODE		1N4148	ODI1N4148
DN501		nsp	*HD201690R	DIODE		1N4001	ODI1N4001
DN503		nsp	*HD201690R	DIODE		1N4001	ODI1N4001
DN504		nsp	*HD201690R	DIODE		1N4001	ODI1N4001
DN701		nsp	*HD201700R	DIODE		1N4002	ODI1N4002
DN702		*HD302100R	*HD302100R	ZENER DIODE		MTZJT7730A	ODIMTZJ30AT77
DN704		*HD302120R	*HD302120R	ZENER DIODE		MTZJ777.5A	ODIMTZJ75AT77
DN801		nsp	*HD201710R	DIODE		1N4148	ODI1N4148
DN802		nsp	*HD201710R	DIODE		1N4148	ODI1N4148

NOTE : *nsp* PART IS LISTED FOR REFERENCE ONLY, MARANTZ WILL NOT SUPPLY THESE PARTS.

POS. NO	VERS. COLOR	PART NO. (FOR EUR)	PART NO. (MJI)	DESCRIPTION			
▲ FN301							
▲ }		*FS000970R	*FS000970R	FUSE	250V,1.6A ,L=21mm	50T 016H(VDE)	VSF1R625001D
▲ FN404							
ICN101		*HC300470R	*HC300470R	IC		PJ1117CZ-3.3V	OICPJ1117CZ3R3V
ICN201		*HC700510R	*HC700510R	IC		TC74HCU04AP	OICTC74HCU04AP
ICN301		*HC300470R	*HC300470R	IC		PJ1117CZ-3.3V	OICPJ1117CZ3R3V
ICN302		HC3890509F	HC3890509F	IC	VOLTAGE REGULATOR	7805FA	OICNJM7805FA
ICN303		HC3890509F	HC3890509F	IC	VOLTAGE REGULATOR	7805FA	OICNJM7805FA
ICN304		HC3990509F	HC3990509F	IC	VOLTAGE REGULATOR	7905FA	OICNJM7905FA
ICN401		HC3891509F	HC3891509F	IC	VOLTAGE REGULATOR	7815FA	OICNJM7815FA
ICN402		HC3991509F	HC3991509F	IC	VOLTAGE REGULATOR	7915FA	OICNJM7915FA
ICN601		HC10042050	HC10042050	IC	SIP	TA7317P	OICTA7317P
JFN101		nsp	nsp	FPC CONNECTOR	16Pin,1.25mm	FAASD1662	VJS16FC01
JFN102		nsp	nsp	CONNECTOR	5Pin,2.5mm, UL	XH5A-25E	VJS05XH01E
JFN301		nsp	nsp	CONNECTOR	6Pin,2.5mm, UL	XH6A-25E	VJS06XH01E
JFN401		nsp	nsp	CONNECTOR	3Pin,8.0mm,UL	VH05A2-80E	VJS03TH01E
JFN507		nsp	nsp	CONNECTOR	9Pin,2.0mm,UL	PH09A-20E	VJS09PH01E
JFN508		nsp	nsp	CONNECTOR	10Pin,2.5mm,UL	XH10A-25E	VJS10XH01E
JFN509		nsp	nsp	CONNECTOR	4Pin,3.96mm,UL	VH4A-40E	VJS04VH01E
JFN510		nsp	nsp	CONNECTOR	3Pin,4.0mm,UL	VH03A-40E	VJS03VH01E
JFN511		nsp	nsp	CONNECTOR	3Pin,4.0mm,UL	VH03A-40E	VJS03VH01E
JFN512		nsp	nsp	CONNECTOR	2Pin,2.0mm,UL	PH02-20A	VJS02PH01E
JFN601		nsp	nsp	CONNECTOR	4Pin,2.0mm,UL	PH4A-20E	VJS04PH01E
JFN701		nsp	nsp	CONNECTOR	4Pin,2.5mmUL	XH4A-25W	VJS04XH01E
JFN702		nsp	nsp	CONNECTOR	7Pin,2.5mm,UL	XH7A-25E	VJS07XH01E
JN101							
}		nsp	nsp	JUMPER WIRE			JPL0000
JN192							
JN501							
}		*YT003000R	*YT003000R	CONNECTOR	4Pin	WP4-10B	VJJ05401
JN504							
JRN101		*YT002850R	*YT002850R	TERMINAL	2P CINCH		VJJ01208
JRN201		*YJ002600R	*YJ002600R	OPT. CONNECTOR		GP1FA550RZ	OPGGP1FA550RZ
JRN202		*YJ002600R	*YJ002600R	OPT. CONNECTOR		GP1FA550RZ	OPGGP1FA550RZ
JRN203		*YT002870R	*YT002870R	TERMINAL	3P CINCH	AV3-8.4-14	VJJ01319
JRN204		YJ15000110	YJ15000110	OPT. CONNECTOR		TOTX178	OPTTTOTX178
LN701		*LC107300R	*LC107300R	INDUCTOR	10µH	LGA0307-10UH-K-T26B	ELEPS100K01
LN702		*LC107300R	*LC107300R	INDUCTOR	10µH	LGA0307-10UH-K-T26B	ELEPS100K01
LN703		*LC107300R	*LC107300R	INDUCTOR	10µH	LGA0307-10UH-K-T26B	ELEPS100K01
QN301		*HX300080R	*HX300080R	TRANSISTOR		2SC5248E	OTR2SC5248E
QN401		*HT800020R	*HT800020R	TRANSISTOR		9014C	OTR9014C
QN402		*HT800020R	*HT800020R	TRANSISTOR		9014C	OTR9014C
QN403		*HT800020R	*HT800020R	TRANSISTOR		9015C	OTR9015C
QN601		*HT800020R	*HT800020R	TRANSISTOR		9014C	OTR9014C
QN606		BA20001000	BA20001000	SEMICON.COMP		DTC114ESA	OTRDTC114ESA
QN607		BA20001000	BA20001000	SEMICON.COMP		DTC114ESA	OTRDTC114ESA
QN608		*HT800020R	*HT800020R	TRANSISTOR		9014C	OTR9014C
QN609		*HT800020R	*HT800020R	TRANSISTOR		9014C	OTR9014C
QN701		*HT800030R	*HT800030R	TRANSISTOR		KTA1024Y	OTRKA1024Y
QN801		*HT100670R	*HT100670R	TRANSISTOR		2SC2389RS	OTR2SC2389RS
QN802		*HT100650R	*HT100650R	TRANSISTOR		2SA1038RS	OTR2SA1038RS
QN803		*HT100650R	*HT100650R	TRANSISTOR		2SA1038RS	OTR2SA1038RS
QN804		*HT100650R	*HT100650R	TRANSISTOR		2SA1038RS	OTR2SA1038RS
REN501		*LY000320R	*LY000320R	RELAY		JZC42F0242HS	VSYJZC42F0242HS
REN503		*LY000320R	*LY000320R	RELAY		JZC42F0242HS	VSYJZC42F0242HS
REN504		*LY000320R	*LY000320R	RELAY		JZC42F0242HS	VSYJZC42F0242HS
RN101		nsp	nsp	RES.	220Ω,1/6W	RT13-220Ω-T26B	ERD16TJ221T
RN102		nsp	nsp	RES.	47Ω,1/6W	RT13-47Ω-T26B	ERD16TJ470T
RN103		nsp	nsp	RES.	47kΩ,1/6W	RT13-47kΩ-T26B	ERD16TJ473T
RN201		nsp	nsp	RES.	10kΩ,1/6W	RT13-10kΩ-T26B	ERD16TJ103T
RN202		nsp	nsp	RES.	10kΩ,1/6W	RT13-10kΩ-T26B	ERD16TJ103T
RN203		nsp	nsp	RES.	75Ω,1/6W	RT13-75Ω-T26B	ERD16TJ750T
RN204		nsp	nsp	RES.	75Ω,1/6W	RT13-75Ω-T26B	ERD16TJ750T
RN205		nsp	nsp	RES.	75Ω,1/6W	RT13-75Ω-T26B	ERD16TJ750T
RN206		nsp	nsp	RES.	1kΩ,1/6W	RT13-1kΩ-T26B	ERD16TJ102T

NOTE : *nsp* PART IS LISTED FOR REFERENCE ONLY, MARANTZ WILL NOT SUPPLY THESE PARTS.

POS. NO	VERS. COLOR	PART NO. (FOR EUR)	PART NO. (MJI)	DESCRIPTION			
RN207		nsp	nsp	RES.	1k Ω ,1/6W	RT13-1K Ω -T26B	ERD16TJ102T
RN208		nsp	nsp	RES.	1 Ω ,1/6W	RT13-1 Ω -T26B	ERD16TJ010T
RN209		nsp	nsp	RES.	100k Ω ,1/6W	RT13-100K Ω -T26B	ERD16TJ104T
RN210		nsp	nsp	RES.	4.7k Ω ,1/6W	RT13-4.7K Ω -T26B	ERD16TJ472T
RN211		nsp	nsp	RES.	100k Ω ,1/6W	RT13-100K Ω -T26B	ERD16TJ104T
RN212		nsp	nsp	RES.	4.7k Ω ,1/6W	RT13-4.7K Ω -T26B	ERD16TJ472T
RN213		nsp	nsp	RES.	27 Ω ,1/6W	RT13-27 Ω -T26B	ERD16TJ270T
RN214		nsp	nsp	RES.	4.7k Ω ,1/6W	RT13-4.7K Ω -T26B	ERD16TJ472T
RN301		nsp	nsp	RES.	220 Ω ,1/2W	RT15-220 Ω -T52	ERD12TJ221V
RN402							
}		nsp	nsp	RES.	15k Ω ,1/6W	RT13-15K Ω -T26B	ERD16TJ153T
RN405							
RN406		nsp	nsp	RES.	10k Ω ,1/6W	RT13-10K Ω -T26B	ERD16TJ103T
RN407		nsp	nsp	RES.	33k Ω ,1/6W	RT13-33K Ω -T26B	ERD16TJ333T
RN408		nsp	nsp	RES.	100k Ω ,1/6W	RT13-100K Ω -T26B	ERD16TJ104T
RN415		nsp	nsp	RES.	22k Ω ,1/6W	RT13-22K Ω -T26B	ERD16TJ223T
RN416		nsp	nsp	RES.	22k Ω ,1/6W	RT13-22K Ω -T26B	ERD16TJ223T
RN417		nsp	nsp	RES.	10k Ω ,1/6W	RT13-10K Ω -T26B	ERD16TJ103T
RN501		nsp	nsp	RES.	100 Ω ,1/6W	RT13-100 Ω -T26B	ERD16TJ101T
RN503		nsp	nsp	RES.	100 Ω ,1/6W	RT13-100 Ω -T26B	ERD16TJ101T
RN504		nsp	nsp	RES.	100 Ω ,1/6W	RT13-100 Ω -T26B	ERD16TJ101T
RN601		nsp	nsp	METAL FILM RES.	330 Ω ,3W	M0-330 Ω -J-3W	ERYC03J331B
RN602		nsp	nsp	METAL FILM RES.	330 Ω ,3W	M0-330 Ω -J-3W	ERYC03J331B
RN603		nsp	nsp	RES.	4.7k Ω ,1/6W	RT13-4.7K Ω -T26B	ERD16TJ472T
RN604		nsp	nsp	RES.	10k Ω ,1/6W	RT13-10K Ω -T26B	ERD16TJ103T
RN611		nsp	nsp	RES.	51k Ω ,1/6W	RT13-51K Ω -T26B	ERD16TJ513T
RN612		nsp	nsp	RES.	100k Ω ,1/6W	RT13-100K Ω -T26B	ERD16TJ104T
RN613		nsp	nsp	RES.	100k Ω ,1/6W	RT13-100K Ω -T26B	ERD16TJ104T
RN614		nsp	nsp	RES.	15k Ω ,1/6W	RT13-15K Ω -T26B	ERD16TJ153T
RN615		nsp	nsp	RES.	30k Ω ,1/6W	RT13-30K Ω -T26B	ERD16TJ303T
RN616		nsp	nsp	RES.	33k Ω ,1/6W	RT13-33K Ω -T26B	ERD16TJ333T
RN617		nsp	nsp	RES.	56k Ω ,1/6W	RT13-56K Ω -T26B	ERD16TJ563T
RN618		nsp	nsp	RES.	1k Ω ,1/6W	RT13-1K Ω -T26B	ERD16TJ102T
RN619		nsp	nsp	RES.	33k Ω ,1/6W	RT13-33K Ω -T26B	ERD16TJ333T
RN620							
}		nsp	nsp	RES.	10k Ω ,1/6W	RT13-10K Ω -T26B	ERD16TJ103T
RN623							
RN701		nsp	nsp	METAL FILM RES.	0.51 Ω ,1W	M0-0.51 Ω -J-1W	ERYC01JR51B
RN702		nsp	nsp	RES.	47 Ω ,1/2W	RT15-47 Ω -T52	ERD12TJ470V
RN703		nsp	nsp	RES.	1.8k Ω ,1/6W	RT13-1.8K Ω -T26B	ERD16TJ182T
RN801		nsp	nsp	RES.	7.5k Ω ,1/6W	RT13-7.5K Ω -T26B	ERD16TJ752T
RN802		nsp	nsp	RES.	7.5k Ω ,1/6W	RT13-7.5K Ω -T26B	ERD16TJ752T
RN803		nsp	nsp	RES.	2.7k Ω ,1/6W	RT13-2.7K Ω -T26B	ERD16TJ272T
RN804		nsp	nsp	RES.	2.7k Ω ,1/6W	RT13-2.7K Ω -T26B	ERD16TJ272T
RN805		nsp	nsp	JUMPER WIRE			JPL0000
RN806		nsp	nsp	RES.	2.7k Ω ,1/6W	RT13-2.7K Ω -T26B	ERD16TJ272T
RN807		nsp	nsp	RES.	1k Ω ,1/6W	RT13-1K Ω -T26B	ERD16TJ102T
RN808		nsp	nsp	RES.	390 Ω ,1/6W	RT13-390 Ω -T26B	ERD16TJ391T
RN809		nsp	nsp	RES.	22k Ω ,1/6W	RT13-22K Ω -T26B	ERD16TJ223T
RN810		nsp	nsp	CEMENT RES.	0.1 Ω , 5W	RX27-6-5W-0.1 Ω	ERBGR10J05
RN811		nsp	nsp	CEMENT RES.	0.1 Ω , 5W	RX27-6-5W-0.1 Ω	ERBGR10J05
RN812		nsp	nsp	RES.	560k Ω ,1/6W	RT13-560K Ω -T26B	ERD16TJ564T
TRN201		*TP000060R	*TP000060R	PULSE TRANSF.	4203, 6m \times m	6AL-158AO	EIS6AL158AO
				FRONT PCB			
CF101		nsp	nsp	CERAMIC CAP.	50V,100000pF,2F4	CT1-50V-06a-2F4-100000pFZ	ECKR1H104Z06F
CF102		nsp	nsp	CERAMIC CAP.	50V,47pF,SL	CC1-50V-06a-SL-47pFJ	ECCR1H470JY
CF103		nsp	nsp	CERAMIC CAP.	50V,100000pF,2F4	CT1-50V-06a-2F4-100000pFZ	ECKR1H104Z06F
CF104		nsp	nsp	CERAMIC CAP.	50V,1000pF,2B4	CT1-50V-06a-2B4-1000pFK	ECKR1H102K06B
CF105							
}		nsp	nsp	CERAMIC CAP.	50V,100000pF,2F4	CT1-50V-06a-2F4-100000pFZ	ECKR1H104Z06F
CF109							
CF110		OA10605020	OA10605020	ELECT. CAP.	10 μ F, 50V	CD1101H100T5S0511	ECEA1HAE100MB

NOTE : *nsp* PART IS LISTED FOR REFERENCE ONLY, MARANTZ WILL NOT SUPPLY THESE PARTS.

POS. NO	VERS. COLOR	PART NO. (FOR EUR)	PART NO. (MJ)	DESCRIPTION		
CF111		nsp	nsp	CERAMIC CAP.	50V,10000pF,2F4	CT1-50V-06a-2F4-10000pFZ ECKR1H104Z06F
CF112		nsp	nsp	CERAMIC CAP.	50V,10000pF,2F4	CT1-50V-06a-2F4-10000pFZ ECKR1H104Z06F
CF113		nsp	nsp	CERAMIC CAP.	50V,10000pF,2F4	CT1-50V-06a-2F4-10000pFZ ECKR1H104Z06F
CF114		OA10602550	OA10602550	ELECT. CAP.	10µF,16V	CD1101C100T5S0511 ECEA1CAE100MB
CF115		nsp	nsp	CERAMIC CAP.	50V,10000pF,2F4	CT1-50V-06a-2F4-10000pFZ ECKR1H104Z06F
CF116		OA10701620	OA10701620	ELECT. CAP.	100µF, 16V	CD1101C101T5S0511 ECEA1CAE101MB
CF117		nsp	nsp	CERAMIC CAP.	50V,10000pF,2F4	CT1-50V-06a-2F4-10000pFZ ECKR1H104Z06F
CF118		nsp	nsp	CERAMIC CAP.	50V,10000pF,2F4	CT1-50V-06a-2F4-10000pFZ ECKR1H104Z06F
CF119		nsp	nsp	CERAMIC CAP.	50V,10000pF,2F4	CT1-50V-06a-2F4-10000pFZ ECKR1H104Z06F
CF120		nsp	nsp	CERAMIC CAP.	50V,10000pF,2F4	CT1-50V-08a-2F4-10000pFZ ECKR1H103Z08F
CF121		nsp	nsp	CERAMIC CAP.	50V,10000pF,2F4	CT1-50V-08a-2F4-10000pFZ ECKR1H103Z08F
CF122		OA47601640	OA47601640	ELECT. CAP.	16V, 47µF	CD1101C470T5S0511 ECEA1CAE470MB
CF123		nsp	nsp	CERAMIC CAP.	50V,10000pF,2F4	CT1-50V-06a-2F4-10000pFZ ECKR1H104Z06F
CF124		nsp	nsp	CERAMIC CAP.	50V,10000pF,2F4	CT1-50V-06a-2F4-10000pFZ ECKR1H104Z06F
CF125		nsp	nsp	CERAMIC CAP.	50V,10000pF,2F4	CT1-50V-06a-2F4-10000pFZ ECKR1H104Z06F
CF126		nsp	nsp	CERAMIC CAP.	50V,10000pF,2F4	CT1-50V-08a-2F4-10000pFZ ECKR1H103Z08F
CF127		nsp	nsp	CERAMIC CAP.	50V,10000pF,2F4	CT1-50V-08a-2F4-10000pFZ ECKR1H103Z08F
CF128						
∫		nsp	nsp	CERAMIC CAP.	50V,10000pF,2F4	CT1-50V-06a-2F4-10000pFZ ECKR1H104Z06F
CF134						
ICF101		*HC108190R	*HC108190R	IC	LQFP	PT6302-001 OICPT6302001
IRF102		*HW100640R	*HW100640R	IR SENSOR		PIC12042/ RPMPIC12042/ TSOP1838-16 RPMPIC12042D
JF102		nsp	nsp	FPC CONNECTOR	15Pin,1.25mm	FAASE62 VJS15FC11
JFF101		nsp	nsp	CONNECTOR	7Pin,2.5mm,UL	XH7A-25E VJS07XH01E
JFF103		nsp	nsp	CONNECTOR	4Pin,2.0mm,UL	PH4A-20E VJS04PH01E
JFF104		nsp	nsp	CONNECTOR	4Pin,2.0mm,UL	PH4A-20E VJS04PH01E
JPF101						
∫		nsp	nsp	JUMPER WIRE		JPL0000
JPF164						
QF101		BA10007210	BA10007210	SEMICON.COMP		DTA114ES OTRDTA114ES
QF102		BA10007210	BA10007210	SEMICON.COMP		DTA114ES OTRDTA114ES
QF103		HT317401L0	HT317401L0	TRANSISTOR		2SC1740STPR/2SC1740-R OTR2SC1740S
QF104		BA10012210	BA10012210	SEMICON.COMP		DTC144ESA OTRDTC144ESA
RF101		nsp	nsp	RES.	3.3kΩ,1/6W	RT13-3.3KΩ-T26B ERD16TJ332T
RF102		nsp	nsp	RES.	100Ω,1/6W	RT13-100Ω-T26B ERD16TJ101T
RF103		nsp	nsp	RES.	8.2kΩ,1/6W	RT13-8.2KΩ-T26B ERD16TJ822T
RF104		nsp	nsp	RES.	3.9kΩ,1/6W	RT13-3.9KΩ-T26B ERD16TJ392T
RF105		nsp	nsp	RES.	1.8kΩ,1/6W	RT13-1.8KΩ-T26B ERD16TJ182T
RF106		nsp	nsp	RES.	1kΩ,1/6W	RT13-1KΩ-T26B ERD16TJ102T
RF108		nsp	nsp	RES.	3.9kΩ,1/6W	RT13-3.9KΩ-T26B ERD16TJ392T
RF109		nsp	nsp	RES.	1.2kΩ,1/6W	RT13-1.2KΩ-T26B ERD16TJ122T
RF110		nsp	nsp	RES.	1.8kΩ,1/6W	RT13-1.8KΩ-T26B ERD16TJ182T
RF111		nsp	nsp	RES.	1.2kΩ,1/6W	RT13-1.2KΩ-T26B ERD16TJ122T
RF112		nsp	nsp	RES.	1kΩ,1/6W	RT13-1KΩ-T26B ERD16TJ102T
RF113		nsp	nsp	RES.	8.2kΩ,1/6W	RT13-8.2KΩ-T26B ERD16TJ822T
RF114		nsp	nsp	RES.	3.9kΩ,1/6W	RT13-3.9KΩ-T26B ERD16TJ392T
RF115		nsp	nsp	RES.	1.8kΩ,1/6W	RT13-1.8KΩ-T26B ERD16TJ182T
RF116		nsp	nsp	RES.	1.2kΩ,1/6W	RT13-1.2KΩ-T26B ERD16TJ122T
RF117		nsp	nsp	RES.	1kΩ,1/6W	RT13-1KΩ-T26B ERD16TJ102T
RF118		nsp	nsp	RES.	8.2kΩ,1/6W	RT13-8.2KΩ-T26B ERD16TJ822T
RF119		nsp	nsp	RES.	3.9kΩ,1/6W	RT13-3.9KΩ-T26B ERD16TJ392T
RF120		nsp	nsp	RES.	1.8kΩ,1/6W	RT13-1.8KΩ-T26B ERD16TJ182T
RF121		nsp	nsp	RES.	1.2kΩ,1/6W	RT13-1.2KΩ-T26B ERD16TJ122T
RF122		nsp	nsp	RES.	1kΩ,1/6W	RT13-1KΩ-T26B ERD16TJ102T
RF123		nsp	nsp	RES.	330Ω,1/6W	RT13-330Ω-T26B ERD16TJ331T
RF124		nsp	nsp	RES.	330Ω,1/6W	RT13-330Ω-T26B ERD16TJ331T
RF125						
∫		nsp	nsp	RES.	10kΩ,1/6W	RT13-10KΩ-T26B ERD16TJ103T
RF129						
RF130		nsp	nsp	RES.	4.7kΩ,1/6W	RT13-4.7KΩ-T26B ERD16TJ472T
SWF101						
∫		*SP001200R	*SP001200R	PUSH SWITCH	4Pin	EVQPAE05R EVQ21505K
SWF122						

NOTE : *nsp* PART IS LISTED FOR REFERENCE ONLY, MARANTZ WILL NOT SUPPLY THESE PARTS.

POS. NO	VERS. COLOR	PART NO. (FOR EUR)	PART NO. (MJI)	DESCRIPTION			
SWF123		*SR000220R	*SR000220R	POTENTIOMETER	NON SHORT	R1612E-25FB1-24-P	EVAR1612E25FB124P
VFF101		*HQ300580R	*HQ300580R	FL DISPLAY		VFD29-1403FS	VSLVFD291403FS
				POWER AMP PCB			
CM101		OA10706320	OA10706320	ELECT. CAP.	100µF,63V	CD1101J101S5S1011	ECEA1JDE101MP
CM102		OA47502550	OA47502550	ELECT. CAP.	4.7µF,16V	CD1101C4R7T5S0511	ECEA1CAE4R7MB
CM103		nsp	nsp	CERAMIC CAP.	50V,470pF±5%,SL	CC1-50V-08a-SL-470pFJ	ECCR1H471JY
CM104		OA10706320	OA10706320	ELECT. CAP.	100µF,63V	CD1101J101S5S1011	ECEA1JDE101MP
CM105		OA10602550	OA10602550	ELECT. CAP.	10µF,16V	CD1101C100T5S0511	ECEA1CAE100MB
CM106		nsp	nsp	CERAMIC CAP.	50V,68pF,SL	CC1-50V-06a-SL-68pFJ	ECCR1H680JY
CM107		nsp	nsp	CERAMIC CAP.	50V,68pF,SL	CC1-50V-06a-SL-68pFJ	ECCR1H680JY
CM108		*OF100310R	*OF100310R	FILM CAP.	63V,0.10µF	CL23B-63V-0.10uF-J-T	ECQQ1J104JZ
CM109		*OF100310R	*OF100310R	FILM CAP.	63V,0.10µF	CL23B-63V-0.10uF-J-T	ECQQ1J104JZ
CM110		*OF100310R	*OF100310R	FILM CAP.	63V,0.10µF	CL23B-63V-0.10uF-J-T	ECQQ1J104JZ
CM201		OA10706320	OA10706320	ELECT. CAP.	100µF,63V	CD1101J101S5S1011	ECEA1JDE101MP
CM202		OA47502550	OA47502550	ELECT. CAP.	4.7µF,16V	CD1101C4R7T5S0511	ECEA1CAE4R7MB
CM203		nsp	nsp	CERAMIC CAP.	50V,470pF±5%,SL	CC1-50V-08a-SL-470pFJ	ECCR1H471JY
CM204		OA10706320	OA10706320	ELECT. CAP.	100µF,63V	CD1101J101S5S1011	ECEA1JDE101MP
CM205		OA10602550	OA10602550	ELECT. CAP.	10µF,16V	CD1101C100T5S0511	ECEA1CAE100MB
CM206		nsp	nsp	CERAMIC CAP.	50V,68pF,SL	CC1-50V-06a-SL-68pFJ	ECCR1H680JY
CM207		nsp	nsp	CERAMIC CAP.	50V,68pF,SL	CC1-50V-06a-SL-68pFJ	ECCR1H680JY
CM208		*OF100310R	*OF100310R	FILM CAP.	63V,0.10µF	CL23B-63V-0.10uF-J-T	ECQQ1J104JZ
CM301		OA10706320	OA10706320	ELECT. CAP.	100µF,63V	CD1101J101S5S1011	ECEA1JDE101MP
CM302		OA47502550	OA47502550	ELECT. CAP.	4.7µF,16V	CD1101C4R7T5S0511	ECEA1CAE4R7MB
CM303		nsp	nsp	CERAMIC CAP.	50V,470pF±5%,SL	CC1-50V-08a-SL-470pFJ	ECCR1H471JY
CM304		OA10706320	OA10706320	ELECT. CAP.	100µF,63V	CD1101J101S5S1011	ECEA1JDE101MP
CM305		OA10602550	OA10602550	ELECT. CAP.	10µF,16V	CD1101C100T5S0511	ECEA1CAE100MB
CM306		nsp	nsp	CERAMIC CAP.	50V,68pF,SL	CC1-50V-06a-SL-68pFJ	ECCR1H680JY
CM307		nsp	nsp	CERAMIC CAP.	50V,68pF,SL	CC1-50V-06a-SL-68pFJ	ECCR1H680JY
CM308		*OF100310R	*OF100310R	FILM CAP.	63V,0.10µF	CL23B-63V-0.10uF-J-T	ECQQ1J104JZ
CM309		OA22505020	OA22505020	ELECT. CAP.	50V,2.2µF	CD1101H2R2T5S0511	ECEA1HAE2R2MB
CM401		OA10706320	OA10706320	ELECT. CAP.	100µF,63V	CD1101J101S5S1011	ECEA1JDE101MP
CM402		OA47502550	OA47502550	ELECT. CAP.	4.7µF,16V	CD1101C4R7T5S0511	ECEA1CAE4R7MB
CM403		nsp	nsp	CERAMIC CAP.	50V,470pF±5%,SL	CC1-50V-08a-SL-470pFJ	ECCR1H471JY
CM404		OA10706320	OA10706320	ELECT. CAP.	100µF,63V	CD1101J101S5S1011	ECEA1JDE101MP
CM405		OA10602550	OA10602550	ELECT. CAP.	10µF,16V	CD1101C100T5S0511	ECEA1CAE100MB
CM406		nsp	nsp	CERAMIC CAP.	50V,68pF,SL	CC1-50V-06a-SL-68pFJ	ECCR1H680JY
CM407		nsp	nsp	CERAMIC CAP.	50V,68pF,SL	CC1-50V-06a-SL-68pFJ	ECCR1H680JY
CM408		*OF100310R	*OF100310R	FILM CAP.	63V,0.10µF	CL23B-63V-0.10uF-J-T	ECQQ1J104JZ
CM501		OA10706320	OA10706320	ELECT. CAP.	100µF,63V	CD1101J101S5S1011	ECEA1JDE101MP
CM502		OA47502550	OA47502550	ELECT. CAP.	4.7µF,16V	CD1101C4R7T5S0511	ECEA1CAE4R7MB
CM503		nsp	nsp	CERAMIC CAP.	50V,470pF±5%,SL	CC1-50V-08a-SL-470pFJ	ECCR1H471JY
CM504		OA10706320	OA10706320	ELECT. CAP.	100µF,63V	CD1101J101S5S1011	ECEA1JDE101MP
CM505		OA10602550	OA10602550	ELECT. CAP.	10µF,16V	CD1101C100T5S0511	ECEA1CAE100MB
CM506		nsp	nsp	CERAMIC CAP.	50V,68pF,SL	CC1-50V-06a-SL-68pFJ	ECCR1H680JY
CM507		nsp	nsp	CERAMIC CAP.	50V,68pF,SL	CC1-50V-06a-SL-68pFJ	ECCR1H680JY
CM508		*OF100310R	*OF100310R	FILM CAP.	63V,0.10µF	CL23B-63V-0.10uF-J-T	ECQQ1J104JZ
CM601		OA10706320	OA10706320	ELECT. CAP.	100µF,63V	CD1101J101S5S1011	ECEA1JDE101MP
CM602		OA47502550	OA47502550	ELECT. CAP.	4.7µF,16V	CD1101C4R7T5S0511	ECEA1CAE4R7MB
CM603		nsp	nsp	CERAMIC CAP.	50V,470pF±5%,SL	CC1-50V-08a-SL-470pFJ	ECCR1H471JY
CM604		OA10706320	OA10706320	ELECT. CAP.	100µF,63V	CD1101J101S5S1011	ECEA1JDE101MP
CM605		OA10602550	OA10602550	ELECT. CAP.	10µF,16V	CD1101C100T5S0511	ECEA1CAE100MB
CM606		nsp	nsp	CERAMIC CAP.	50V,68pF,SL	CC1-50V-06a-SL-68pFJ	ECCR1H680JY
CM607		nsp	nsp	CERAMIC CAP.	50V,68pF,SL	CC1-50V-06a-SL-68pFJ	ECCR1H680JY
CM608		*OF100310R	*OF100310R	FILM CAP.	63V,0.10µF	CL23B-63V-0.10uF-J-T	ECQQ1J104JZ
CM609		OA22505020	OA22505020	ELECT. CAP.	50V,2.2µF	CD1101H2R2T5S0511	ECEA1HAE2R2MB
DM102							
∫		*HD201710R	*HD201710R	DIODE		1N4148	ODI1N4148
DM605							
JFM01		nsp	nsp	CONNECTOR	12Pin,2.0mm,UL	PH12A-20E	VJS12PH01E
JFM02		nsp	nsp	CONNECTOR	3Pin,4.0mm,UL	VH03A-40E	VJS03VH01E
JFM03		nsp	nsp	CONNECTOR	3Pin,4.0mm,UL	VH03A-40E	VJS03VH01E
JFM04		nsp	nsp	CONNECTOR	4Pin,3.96mm,UL	VH4A-40E	VJS04VH01E
JFM05		nsp	nsp	CONNECTOR	2Pin,2.0mm,UL	PH02-20A	VJS02PH01E

NOTE : *nsp* PART IS LISTED FOR REFERENCE ONLY, MARANTZ WILL NOT SUPPLY THESE PARTS.

POS. NO	VERS. COLOR	PART NO. (FOR EUR)	PART NO. (MJI)	DESCRIPTION			
JM101							
}		nsp	nsp	CONNECTOR	2Pin, 2.5mm,UL	EH2A-25E	VJS02EH01E
JM601							
JM101							
}		nsp	nsp	JUMPER WIRE			JPL0000
JM626							
LM101							
}		nsp	nsp	COIL	1μH, AIR CORE	AC-LK1X8X11 1/2N	VTQ1R0081101
LM601							
QM101							
}		*HT100670R	*HT100670R	TRANSISTOR		2SC2389RS	OTR2SC2389RS
QM104							
QM105		*HT100650R	*HT100650R	TRANSISTOR		2SA1038RS	OTR2SA1038RS
QM106		*HT100650R	*HT100650R	TRANSISTOR		2SA1038RS	OTR2SA1038RS
QM107		*HT100650R	*HT100650R	TRANSISTOR		2SA1038RS	OTR2SA1038RS
QM108		*HT100670R	*HT100670R	TRANSISTOR		2SC2389RS	OTR2SC2389RS
QM109		*HX300080R	*HX300080R	TRANSISTOR		2SC5248E	OTR2SC5248E
QM110		*HT800020R	*HT800020R	TRANSISTOR		9014C	OTR9014C
QM111		*HT100660R	*HT100660R	TRANSISTOR		2SA1964E	OTR2SA1964E
QM112		HT351981A0	HT351981A0	TRANSISTOR		2SC5198O	OTR2SC5198O
QM113		HT119411A0	HT119411A0	TRANSISTOR		2SA1941O	OTR2SA1941O
QM114		HT322402A0	HT322402A0	TRANSISTOR		2SC2240	OTR2SC2240
QM201							
}		*HT100670R	*HT100670R	TRANSISTOR		2SC2389RS	OTR2SC2389RS
QM204							
QM205		*HT100650R	*HT100650R	TRANSISTOR		2SA1038RS	OTR2SA1038RS
QM206		*HT100650R	*HT100650R	TRANSISTOR		2SA1038RS	OTR2SA1038RS
QM207		*HT100650R	*HT100650R	TRANSISTOR		2SA1038RS	OTR2SA1038RS
QM208		*HT100670R	*HT100670R	TRANSISTOR		2SC2389RS	OTR2SC2389RS
QM209		*HX300080R	*HX300080R	TRANSISTOR		2SC5248E	OTR2SC5248E
QM210		*HT800020R	*HT800020R	TRANSISTOR		9014C	OTR9014C
QM211		*HT100660R	*HT100660R	TRANSISTOR		2SA1964E	OTR2SA1964E
QM212		HT351981A0	HT351981A0	TRANSISTOR		2SC5198O	OTR2SC5198O
QM213		HT119411A0	HT119411A0	TRANSISTOR		2SA1941O	OTR2SA1941O
QM214		HT322402A0	HT322402A0	TRANSISTOR		2SC2240	OTR2SC2240
QM301							
}		*HT100670R	*HT100670R	TRANSISTOR		2SC2389RS	OTR2SC2389RS
QM304							
QM305		*HT100650R	*HT100650R	TRANSISTOR		2SA1038RS	OTR2SA1038RS
QM306		*HT100650R	*HT100650R	TRANSISTOR		2SA1038RS	OTR2SA1038RS
QM307		*HT100650R	*HT100650R	TRANSISTOR		2SA1038RS	OTR2SA1038RS
QM308		*HT100670R	*HT100670R	TRANSISTOR		2SC2389RS	OTR2SC2389RS
QM309		*HX300080R	*HX300080R	TRANSISTOR		2SC5248E	OTR2SC5248E
QM310		*HT800020R	*HT800020R	TRANSISTOR		9014C	OTR9014C
QM311		*HT100660R	*HT100660R	TRANSISTOR		2SA1964E	OTR2SA1964E
QM312		HT351981A0	HT351981A0	TRANSISTOR		2SC5198O	OTR2SC5198O
QM313		HT119411A0	HT119411A0	TRANSISTOR		2SA1941O	OTR2SA1941O
QM314		HT322402A0	HT322402A0	TRANSISTOR		2SC2240	OTR2SC2240
QM315		HT109701A0	HT109701A0	TRANSISTOR		2SA970GR	OTR2SA970GR
QM401							
}		*HT100670R	*HT100670R	TRANSISTOR		2SC2389RS	OTR2SC2389RS
QM404							
QM405		*HT100650R	*HT100650R	TRANSISTOR		2SA1038RS	OTR2SA1038RS
QM406		*HT100650R	*HT100650R	TRANSISTOR		2SA1038RS	OTR2SA1038RS
QM407		*HT100650R	*HT100650R	TRANSISTOR		2SA1038RS	OTR2SA1038RS
QM408		*HT100670R	*HT100670R	TRANSISTOR		2SC2389RS	OTR2SC2389RS
QM409		*HX300080R	*HX300080R	TRANSISTOR		2SC5248E	OTR2SC5248E
QM410		*HT800020R	*HT800020R	TRANSISTOR		9014C	OTR9014C
QM411		*HT100660R	*HT100660R	TRANSISTOR		2SA1964E	OTR2SA1964E
QM412		HT351981A0	HT351981A0	TRANSISTOR		2SC5198O	OTR2SC5198O
QM413		HT119411A0	HT119411A0	TRANSISTOR		2SA1941O	OTR2SA1941O
QM414		HT322402A0	HT322402A0	TRANSISTOR		2SC2240	OTR2SC2240
QM501							
}		*HT100670R	*HT100670R	TRANSISTOR		2SC2389RS	OTR2SC2389RS
QM504							

NOTE : *nsp* PART IS LISTED FOR REFERENCE ONLY, MARANTZ WILL NOT SUPPLY THESE PARTS.

POS. NO	VERS. COLOR	PART NO. (FOR EUR)	PART NO. (MJI)	DESCRIPTION			
QM505		*HT100650R	*HT100650R	TRANSISTOR	2SA1038RS	OTR2SA1038RS	
QM506		*HT100650R	*HT100650R	TRANSISTOR	2SA1038RS	OTR2SA1038RS	
QM507		*HT100650R	*HT100650R	TRANSISTOR	2SA1038RS	OTR2SA1038RS	
QM508		*HT100670R	*HT100670R	TRANSISTOR	2SC2389RS	OTR2SC2389RS	
QM509		*HX300080R	*HX300080R	TRANSISTOR	2SC5248E	OTR2SC5248E	
QM510		*HT800020R	*HT800020R	TRANSISTOR	9014C	OTR9014C	
QM511		*HT100660R	*HT100660R	TRANSISTOR	2SA1964E	OTR2SA1964E	
QM512		HT351981A0	HT351981A0	TRANSISTOR	2SC5198O	OTR2SC5198O	
QM513		HT119411A0	HT119411A0	TRANSISTOR	2SA1941O	OTR2SA1941O	
QM514		HT322402A0	HT322402A0	TRANSISTOR	2SC2240	OTR2SC2240	
QM601							
}		*HT100670R	*HT100670R	TRANSISTOR	2SC2389RS	OTR2SC2389RS	
QM604							
QM605		*HT100650R	*HT100650R	TRANSISTOR	2SA1038RS	OTR2SA1038RS	
QM606		*HT100650R	*HT100650R	TRANSISTOR	2SA1038RS	OTR2SA1038RS	
QM607		*HT100650R	*HT100650R	TRANSISTOR	2SA1038RS	OTR2SA1038RS	
QM608		*HT100670R	*HT100670R	TRANSISTOR	2SC2389RS	OTR2SC2389RS	
QM609		*HX300080R	*HX300080R	TRANSISTOR	2SC5248E	OTR2SC5248E	
QM610		*HT800020R	*HT800020R	TRANSISTOR	9014C	OTR9014C	
QM611		*HT100660R	*HT100660R	TRANSISTOR	2SA1964E	OTR2SA1964E	
QM612		HT351981A0	HT351981A0	TRANSISTOR	2SC5198O	OTR2SC5198O	
QM613		HT119411A0	HT119411A0	TRANSISTOR	2SA1941O	OTR2SA1941O	
QM614		HT322402A0	HT322402A0	TRANSISTOR	2SC2240	OTR2SC2240	
QM615		HT109701A0	HT109701A0	TRANSISTOR	2SA970GR	OTR2SA970GR	
RGND1							
}		nsp	nsp	RES.	10Ω,1/6W	RT13-10Ω-T26B	ERD16TJ100T
RGND6							
RM101		nsp	nsp	RES.	2.2kΩ,1/6W	RT13-2.2KΩ-T26B	ERD16TJ222T
RM102		nsp	nsp	RES.	4.7kΩ,1/6W	RT13-4.7KΩ-T26B	ERD16TJ472T
RM103		nsp	nsp	RES.	100Ω,1/6W	RT13-100Ω-T26B	ERD16TJ101T
RM104		nsp	nsp	RES.	62kΩ,1/6W	RT13-62KΩ-T26B	ERD16TJ623T
RM105		nsp	nsp	RES.	4.7kΩ,1/6W	RT13-4.7KΩ-T26B	ERD16TJ472T
RM106		*RA001050R	*RA001050R	TRIMMING RES.		PA0630-VA1-200	EVN2BF000B201
RM107		nsp	nsp	RES.	560Ω,1/6W	RT13-560Ω-T26B	ERD16TJ561T
RM108		nsp	nsp	RES.	2.2kΩ,1/6W	RT13-2.2KΩ-T26B	ERD16TJ222T
RM109		nsp	nsp	RES.	10kΩ,1/6W	RT13-10KΩ-T26B	ERD16TJ103T
RM110		nsp	nsp	RES.	10kΩ,1/6W	RT13-10KΩ-T26B	ERD16TJ103T
RM111		nsp	nsp	RES.	270Ω,1/6W	RT13-270Ω-T26B	ERD16TJ271T
RM112		nsp	nsp	RES.	2.2kΩ,1/6W	RT13-2.2KΩ-T26B	ERD16TJ222T
RM113		nsp	nsp	RES.	820Ω,1/6W	RT13-820Ω-T26B	ERD16TJ821T
RM114		*RA001060R	*RA001060R	TRIMMING RES.		PA0630-VA1-220	EVN2BF000B221
RM115		nsp	nsp	RES.	150Ω,1/6W	RT13-150Ω-T26B	ERD16TJ151T
RM116		nsp	nsp	RES.	150Ω,1/6W	RT13-150Ω-T26B	ERD16TJ151T
RM117		nsp	nsp	METAL FILM RES.	180Ω,1W	M0-180Ω-J-1W	ERYC01J181B
RM118		nsp	nsp	RES.	0.25Ω, 5W	RX27-6/B-5W-0.25Ω	ERBGR25J05
RM119		nsp	nsp	RES.	0.25Ω, 5W	RX27-6/B-5W-0.25Ω	ERBGR25J05
RM120		nsp	nsp	RES.	62kΩ,1/6W	RT13-62KΩ-T26B	ERD16TJ623T
RM121		nsp	nsp	RES.	1kΩ,1/6W	RT13-1KΩ-T26B	ERD16TJ102T
RM122		nsp	nsp	RES.	10Ω,1/6W	RT13-10Ω-T26B	ERD16TJ100T
RM123		nsp	nsp	RES.	1kΩ,1/6W	RT13-1KΩ-T26B	ERD16TJ102T
RM124		nsp	nsp	RES.	22kΩ,1/6W	RT13-22KΩ-T26B	ERD16TJ223T
RM125		nsp	nsp	RES.	390Ω,1/6W	RT13-390Ω-T26B	ERD16TJ391T
RM126		nsp	nsp	METAL FILM RES.	8.2Ω,3W	M0-8.2Ω-J-3W	ERYC03J8R2B
RM127		nsp	nsp	RES.	22kΩ,1/6W	RT13-22KΩ-T26B	ERD16TJ223T
RM128		nsp	nsp	RES.	22kΩ,1/6W	RT13-22KΩ-T26B	ERD16TJ223T
RM129		nsp	nsp	METAL FILM RES.	22Ω,1/2W	M0-22Ω-J-T52B	ERYC12J220V
RM130		nsp	nsp	METAL FILM RES.	22Ω,1/2W	M0-22Ω-J-T52B	ERYC12J220V
RM131							
}		nsp	nsp	RES.	10Ω,1/6W	RT13-10Ω-T26B	ERD16TJ100T
RM134							
RM201		nsp	nsp	RES.	2.2kΩ,1/6W	RT13-2.2KΩ-T26B	ERD16TJ222T
RM202		nsp	nsp	RES.	4.7kΩ,1/6W	RT13-4.7KΩ-T26B	ERD16TJ472T
RM203		nsp	nsp	RES.	100Ω,1/6W	RT13-100Ω-T26B	ERD16TJ101T
RM204		nsp	nsp	RES.	62kΩ,1/6W	RT13-62KΩ-T26B	ERD16TJ623T

NOTE : *nsp* PART IS LISTED FOR REFERENCE ONLY, MARANTZ WILL NOT SUPPLY THESE PARTS.

POS. NO	VERS. COLOR	PART NO. (FOR EUR)	PART NO. (MJI)	DESCRIPTION			
RM205		nsp	nsp	RES.	4.7k Ω ,1/6W	RT13-4.7K Ω -T26B	ERD16TJ472T
RM206		*RA001050R	*RA001050R	TRIMMING RES.		PA0630-VA1-200	EVN2BF000B201
RM207		nsp	nsp	RES.	560 Ω ,1/6W	RT13-560 Ω -T26B	ERD16TJ561T
RM208		nsp	nsp	RES.	2.2k Ω ,1/6W	RT13-2.2K Ω -T26B	ERD16TJ222T
RM209		nsp	nsp	RES.	10k Ω ,1/6W	RT13-10K Ω -T26B	ERD16TJ103T
RM210		nsp	nsp	RES.	10k Ω ,1/6W	RT13-10K Ω -T26B	ERD16TJ103T
RM211		nsp	nsp	RES.	270 Ω ,1/6W	RT13-270 Ω -T26B	ERD16TJ271T
RM212		nsp	nsp	RES.	2.2k Ω ,1/6W	RT13-2.2K Ω -T26B	ERD16TJ222T
RM213		nsp	nsp	RES.	820 Ω ,1/6W	RT13-820 Ω -T26B	ERD16TJ821T
RM214		*RA001060R	*RA001060R	TRIMMING RES.		PA0630-VA1-220	EVN2BF000B221
RM215		nsp	nsp	RES.	150 Ω ,1/6W	RT13-150 Ω -T26B	ERD16TJ151T
RM216		nsp	nsp	RES.	150 Ω ,1/6W	RT13-150 Ω -T26B	ERD16TJ151T
RM217		nsp	nsp	METAL FILM RES.	180 Ω ,1W	M0-180 Ω -J-1W	ERYC01J181B
RM218		nsp	nsp	RES.	0.25 Ω ,5W	RX27-6/B-5W-0.25 Ω	ERBGR25J05
RM219		nsp	nsp	RES.	0.25 Ω ,5W	RX27-6/B-5W-0.25 Ω	ERBGR25J05
RM220		nsp	nsp	RES.	62k Ω ,1/6W	RT13-62K Ω -T26B	ERD16TJ623T
RM221		nsp	nsp	RES.	1k Ω ,1/6W	RT13-1K Ω -T26B	ERD16TJ102T
RM222		nsp	nsp	RES.	10 Ω ,1/6W	RT13-10 Ω -T26B	ERD16TJ100T
RM223		nsp	nsp	RES.	1k Ω ,1/6W	RT13-1K Ω -T26B	ERD16TJ102T
RM224		nsp	nsp	RES.	22k Ω ,1/6W	RT13-22K Ω -T26B	ERD16TJ223T
RM225		nsp	nsp	RES.	390 Ω ,1/6W	RT13-390 Ω -T26B	ERD16TJ391T
RM226		nsp	nsp	METAL FILM RES.	8.2 Ω ,3W	M0-8.2 Ω -J-3W	ERYC03J8R2B
RM227		nsp	nsp	RES.	22k Ω ,1/6W	RT13-22K Ω -T26B	ERD16TJ223T
RM228		nsp	nsp	RES.	22k Ω ,1/6W	RT13-22K Ω -T26B	ERD16TJ223T
RM229		nsp	nsp	METAL FILM RES.	22 Ω ,1/2W	M0-22 Ω -J-T52B	ERYC12J220V
RM230		nsp	nsp	METAL FILM RES.	22 Ω ,1/2W	M0-22 Ω -J-T52B	ERYC12J220V
RM231							
RM234		nsp	nsp	RES.	10 Ω ,1/6W	RT13-10 Ω -T26B	ERD16TJ100T
RM301		nsp	nsp	RES.	2.2k Ω ,1/6W	RT13-2.2K Ω -T26B	ERD16TJ222T
RM302		nsp	nsp	RES.	4.7k Ω ,1/6W	RT13-4.7K Ω -T26B	ERD16TJ472T
RM303		nsp	nsp	RES.	100 Ω ,1/6W	RT13-100 Ω -T26B	ERD16TJ101T
RM304		nsp	nsp	RES.	62k Ω ,1/6W	RT13-62K Ω -T26B	ERD16TJ623T
RM305		nsp	nsp	RES.	4.7k Ω ,1/6W	RT13-4.7K Ω -T26B	ERD16TJ472T
RM306		*RA001050R	*RA001050R	TRIMMING RES.		PA0630-VA1-200	EVN2BF000B201
RM307		nsp	nsp	RES.	560 Ω ,1/6W	RT13-560 Ω -T26B	ERD16TJ561T
RM308		nsp	nsp	RES.	2.2k Ω ,1/6W	RT13-2.2K Ω -T26B	ERD16TJ222T
RM309		nsp	nsp	RES.	10k Ω ,1/6W	RT13-10K Ω -T26B	ERD16TJ103T
RM310		nsp	nsp	RES.	10k Ω ,1/6W	RT13-10K Ω -T26B	ERD16TJ103T
RM311		nsp	nsp	RES.	270 Ω ,1/6W	RT13-270 Ω -T26B	ERD16TJ271T
RM312		nsp	nsp	RES.	2.2k Ω ,1/6W	RT13-2.2K Ω -T26B	ERD16TJ222T
RM313		nsp	nsp	RES.	820 Ω ,1/6W	RT13-820 Ω -T26B	ERD16TJ821T
RM314		*RA001060R	*RA001060R	TRIMMING RES.		PA0630-VA1-220	EVN2BF000B221
RM315		nsp	nsp	RES.	150 Ω ,1/6W	RT13-150 Ω -T26B	ERD16TJ151T
RM316		nsp	nsp	RES.	150 Ω ,1/6W	RT13-150 Ω -T26B	ERD16TJ151T
RM317		nsp	nsp	METAL FILM RES.	180 Ω ,1W	M0-180 Ω -J-1W	ERYC01J181B
RM318		nsp	nsp	RES.	0.25 Ω ,5W	RX27-6/B-5W-0.25 Ω	ERBGR25J05
RM319		nsp	nsp	RES.	0.25 Ω ,5W	RX27-6/B-5W-0.25 Ω	ERBGR25J05
RM320		nsp	nsp	RES.	62k Ω ,1/6W	RT13-62K Ω -T26B	ERD16TJ623T
RM321		nsp	nsp	RES.	1k Ω ,1/6W	RT13-1K Ω -T26B	ERD16TJ102T
RM322		nsp	nsp	RES.	10 Ω ,1/6W	RT13-10 Ω -T26B	ERD16TJ100T
RM323		nsp	nsp	RES.	1k Ω ,1/6W	RT13-1K Ω -T26B	ERD16TJ102T
RM324		nsp	nsp	RES.	22k Ω ,1/6W	RT13-22K Ω -T26B	ERD16TJ223T
RM325		nsp	nsp	RES.	390 Ω ,1/6W	RT13-390 Ω -T26B	ERD16TJ391T
RM326		nsp	nsp	METAL FILM RES.	8.2 Ω ,3W	M0-8.2 Ω -J-3W	ERYC03J8R2B
RM327		nsp	nsp	RES.	22k Ω ,1/6W	RT13-22K Ω -T26B	ERD16TJ223T
RM328		nsp	nsp	RES.	22k Ω ,1/6W	RT13-22K Ω -T26B	ERD16TJ223T
RM329		nsp	nsp	RES.	56k Ω ,1/6W	RT13-56K Ω -T26B	ERD16TJ563T
RM330		nsp	nsp	RES.	22k Ω ,1/6W	RT13-22K Ω -T26B	ERD16TJ223T
RM333		nsp	nsp	METAL FILM RES.	22 Ω ,1/2W	M0-22 Ω -J-T52B	ERYC12J220V
RM334		nsp	nsp	METAL FILM RES.	22 Ω ,1/2W	M0-22 Ω -J-T52B	ERYC12J220V

NOTE : *nsp* PART IS LISTED FOR REFERENCE ONLY, MARANTZ WILL NOT SUPPLY THESE PARTS.

POS. NO	VERS. COLOR	PART NO. (FOR EUR)	PART NO. (MJI)	DESCRIPTION			
RM335							
}		nsp	nsp	RES.	10Ω,1/6W	RT13-10Ω-T26B	ERD16TJ100T
RM338							
RM401		nsp	nsp	RES.	2.2kΩ,1/6W	RT13-2.2KΩ-T26B	ERD16TJ222T
RM402		nsp	nsp	RES.	4.7kΩ,1/6W	RT13-4.7KΩ-T26B	ERD16TJ472T
RM403		nsp	nsp	RES.	100Ω,1/6W	RT13-100Ω-T26B	ERD16TJ101T
RM404		nsp	nsp	RES.	62kΩ,1/6W	RT13-62KΩ-T26B	ERD16TJ623T
RM405		nsp	nsp	RES.	4.7kΩ,1/6W	RT13-4.7KΩ-T26B	ERD16TJ472T
RM406		*RA001050R	*RA001050R	TRIMMING RES.		PA0630-VA1-200	EVN2BF000B201
RM407		nsp	nsp	RES.	560Ω,1/6W	RT13-560Ω-T26B	ERD16TJ561T
RM408		nsp	nsp	RES.	2.2kΩ,1/6W	RT13-2.2KΩ-T26B	ERD16TJ222T
RM409		nsp	nsp	RES.	10kΩ,1/6W	RT13-10KΩ-T26B	ERD16TJ103T
RM410		nsp	nsp	RES.	10kΩ,1/6W	RT13-10KΩ-T26B	ERD16TJ103T
RM411		nsp	nsp	RES.	270Ω,1/6W	RT13-270Ω-T26B	ERD16TJ271T
RM412		nsp	nsp	RES.	2.2kΩ,1/6W	RT13-2.2KΩ-T26B	ERD16TJ222T
RM413		nsp	nsp	RES.	820Ω,1/6W	RT13-820Ω-T26B	ERD16TJ821T
RM414		*RA001060R	*RA001060R	TRIMMING RES.		PA0630-VA1-220	EVN2BF000B221
RM415		nsp	nsp	RES.	150Ω,1/6W	RT13-150Ω-T26B	ERD16TJ151T
RM416		nsp	nsp	RES.	150Ω,1/6W	RT13-150Ω-T26B	ERD16TJ151T
RM417		nsp	nsp	METAL FILM RES.	180Ω,1W	M0-180Ω-J-1W	ERYC01J181B
RM418		nsp	nsp	RES.	0.25Ω, 5W	RX27-6/B-5W-0.25Ω	ERBGR25J05
RM419		nsp	nsp	RES.	0.25Ω, 5W	RX27-6/B-5W-0.25Ω	ERBGR25J05
RM420		nsp	nsp	RES.	62kΩ,1/6W	RT13-62KΩ-T26B	ERD16TJ623T
RM421		nsp	nsp	RES.	1kΩ,1/6W	RT13-1KΩ-T26B	ERD16TJ102T
RM422		nsp	nsp	RES.	10Ω,1/6W	RT13-10Ω-T26B	ERD16TJ100T
RM423		nsp	nsp	RES.	1kΩ,1/6W	RT13-1KΩ-T26B	ERD16TJ102T
RM424		nsp	nsp	RES.	22kΩ,1/6W	RT13-22KΩ-T26B	ERD16TJ223T
RM425		nsp	nsp	RES.	390Ω,1/6W	RT13-390Ω-T26B	ERD16TJ391T
RM426		nsp	nsp	METAL FILM RES.	8.2Ω,3W	M0-8.2Ω-J-3W	ERYC03J8R2B
RM427		nsp	nsp	RES.	22kΩ,1/6W	RT13-22KΩ-T26B	ERD16TJ223T
RM428		nsp	nsp	RES.	22kΩ,1/6W	RT13-22KΩ-T26B	ERD16TJ223T
RM431		nsp	nsp	METAL FILM RES.	22Ω,1/2W	M0-22Ω-J-T52B	ERYC12J220V
RM432		nsp	nsp	METAL FILM RES.	22Ω,1/2W	M0-22Ω-J-T52B	ERYC12J220V
RM433							
}		nsp	nsp	RES.	10Ω,1/6W	RT13-10Ω-T26B	ERD16TJ100T
RM436							
RM501		nsp	nsp	RES.	2.2kΩ,1/6W	RT13-2.2KΩ-T26B	ERD16TJ222T
RM502		nsp	nsp	RES.	4.7kΩ,1/6W	RT13-4.7KΩ-T26B	ERD16TJ472T
RM503		nsp	nsp	RES.	100Ω,1/6W	RT13-100Ω-T26B	ERD16TJ101T
RM504		nsp	nsp	RES.	62kΩ,1/6W	RT13-62KΩ-T26B	ERD16TJ623T
RM505		nsp	nsp	RES.	4.7kΩ,1/6W	RT13-4.7KΩ-T26B	ERD16TJ472T
RM506		*RA001050R	*RA001050R	TRIMMING RES.		PA0630-VA1-200	EVN2BF000B201
RM507		nsp	nsp	RES.	560Ω,1/6W	RT13-560Ω-T26B	ERD16TJ561T
RM508		nsp	nsp	RES.	2.2kΩ,1/6W	RT13-2.2KΩ-T26B	ERD16TJ222T
RM509		nsp	nsp	RES.	10kΩ,1/6W	RT13-10KΩ-T26B	ERD16TJ103T
RM510		nsp	nsp	RES.	10kΩ,1/6W	RT13-10KΩ-T26B	ERD16TJ103T
RM511		nsp	nsp	RES.	270Ω,1/6W	RT13-270Ω-T26B	ERD16TJ271T
RM512		nsp	nsp	RES.	2.2kΩ,1/6W	RT13-2.2KΩ-T26B	ERD16TJ222T
RM513		nsp	nsp	RES.	820Ω,1/6W	RT13-820Ω-T26B	ERD16TJ821T
RM514		*RA001060R	*RA001060R	TRIMMING RES.		PA0630-VA1-220	EVN2BF000B221
RM515		nsp	nsp	RES.	150Ω,1/6W	RT13-150Ω-T26B	ERD16TJ151T
RM516		nsp	nsp	RES.	150Ω,1/6W	RT13-150Ω-T26B	ERD16TJ151T
RM517		nsp	nsp	METAL FILM RES.	180Ω,1W	M0-180Ω-J-1W	ERYC01J181B
RM518		nsp	nsp	RES.	0.25Ω, 5W	RX27-6/B-5W-0.25Ω	ERBGR25J05
RM519		nsp	nsp	RES.	0.25Ω, 5W	RX27-6/B-5W-0.25Ω	ERBGR25J05
RM520		nsp	nsp	RES.	62kΩ,1/6W	RT13-62KΩ-T26B	ERD16TJ623T
RM521		nsp	nsp	RES.	1kΩ,1/6W	RT13-1KΩ-T26B	ERD16TJ102T
RM522		nsp	nsp	RES.	10Ω,1/6W	RT13-10Ω-T26B	ERD16TJ100T
RM523		nsp	nsp	RES.	1kΩ,1/6W	RT13-1KΩ-T26B	ERD16TJ102T
RM524		nsp	nsp	RES.	22kΩ,1/6W	RT13-22KΩ-T26B	ERD16TJ223T
RM525		nsp	nsp	RES.	390Ω,1/6W	RT13-390Ω-T26B	ERD16TJ391T
RM526		nsp	nsp	METAL FILM RES.	8.2Ω,3W	M0-8.2Ω-J-3W	ERYC03J8R2B
RM527		nsp	nsp	RES.	22kΩ,1/6W	RT13-22KΩ-T26B	ERD16TJ223T

NOTE : *nsp* PART IS LISTED FOR REFERENCE ONLY, MARANTZ WILL NOT SUPPLY THESE PARTS.

POS. NO	VERS. COLOR	PART NO. (FOR EUR)	PART NO. (MJI)	DESCRIPTION			
RM528		nsp	nsp	RES.	22kΩ, 1/6W	RT13-22KΩ-T26B	ERD16TJ223T
RM531		nsp	nsp	METAL FILM RES.	22Ω, 1/2W	M0-22Ω-J-T52B	ERYC12J220V
RM532		nsp	nsp	METAL FILM RES.	22Ω, 1/2W	M0-22Ω-J-T52B	ERYC12J220V
RM533							
}		nsp	nsp	RES.	10Ω, 1/6W	RT13-10Ω-T26B	ERD16TJ100T
RM536							
RM601		nsp	nsp	RES.	2.2kΩ, 1/6W	RT13-2.2KΩ-T26B	ERD16TJ222T
RM602		nsp	nsp	RES.	4.7kΩ, 1/6W	RT13-4.7KΩ-T26B	ERD16TJ472T
RM603		nsp	nsp	RES.	100Ω, 1/6W	RT13-100Ω-T26B	ERD16TJ101T
RM604		nsp	nsp	RES.	62kΩ, 1/6W	RT13-62KΩ-T26B	ERD16TJ623T
RM605		nsp	nsp	RES.	4.7kΩ, 1/6W	RT13-4.7KΩ-T26B	ERD16TJ472T
RM606		*RA001050R	*RA001050R	TRIMMING RES.		PA0630-VA1-200	EVN2BF000B201
RM607		nsp	nsp	RES.	560Ω, 1/6W	RT13-560Ω-T26B	ERD16TJ561T
RM608		nsp	nsp	RES.	2.2kΩ, 1/6W	RT13-2.2KΩ-T26B	ERD16TJ222T
RM609		nsp	nsp	RES.	10kΩ, 1/6W	RT13-10KΩ-T26B	ERD16TJ103T
RM610		nsp	nsp	RES.	10kΩ, 1/6W	RT13-10KΩ-T26B	ERD16TJ103T
RM611		nsp	nsp	RES.	270Ω, 1/6W	RT13-270Ω-T26B	ERD16TJ271T
RM612		nsp	nsp	RES.	2.2kΩ, 1/6W	RT13-2.2KΩ-T26B	ERD16TJ222T
RM613		nsp	nsp	RES.	820Ω, 1/6W	RT13-820Ω-T26B	ERD16TJ821T
RM614		*RA001060R	*RA001060R	TRIMMING RES.		PA0630-VA1-220	EVN2BF000B221
RM615		nsp	nsp	RES.	150Ω, 1/6W	RT13-150Ω-T26B	ERD16TJ151T
RM616		nsp	nsp	METAL FILM RES.	180Ω, 1W	M0-180Ω-J-1W	ERYC01J181B
RM618		nsp	nsp	RES.	0.25Ω, 5W	RX27-6/B-5W-0.25Ω	ERBGR25J05
RM619		nsp	nsp	RES.	0.25Ω, 5W	RX27-6/B-5W-0.25Ω	ERBGR25J05
RM620		nsp	nsp	RES.	62kΩ, 1/6W	RT13-62KΩ-T26B	ERD16TJ623T
RM621		nsp	nsp	RES.	1kΩ, 1/6W	RT13-1KΩ-T26B	ERD16TJ102T
RM622		nsp	nsp	RES.	10Ω, 1/6W	RT13-10Ω-T26B	ERD16TJ100T
RM623		nsp	nsp	RES.	1kΩ, 1/6W	RT13-1KΩ-T26B	ERD16TJ102T
RM624		nsp	nsp	RES.	22kΩ, 1/6W	RT13-22KΩ-T26B	ERD16TJ223T
RM625		nsp	nsp	RES.	390Ω, 1/6W	RT13-390Ω-T26B	ERD16TJ391T
RM626		nsp	nsp	METAL FILM RES.	8.2Ω, 3W	M0-8.2Ω-J-3W	ERYC03J8R2B
RM627		nsp	nsp	RES.	22kΩ, 1/6W	RT13-22KΩ-T26B	ERD16TJ223T
RM628		nsp	nsp	RES.	22kΩ, 1/6W	RT13-22KΩ-T26B	ERD16TJ223T
RM629		nsp	nsp	RES.	56kΩ, 1/6W	RT13-56KΩ-T26B	ERD16TJ563T
RM630		nsp	nsp	RES.	22kΩ, 1/6W	RT13-22KΩ-T26B	ERD16TJ223T
RM632		nsp	nsp	RES.	150Ω, 1/6W	RT13-150Ω-T26B	ERD16TJ151T
RM633		nsp	nsp	METAL FILM RES.	22Ω, 1/2W	M0-22Ω-J-T52B	ERYC12J220V
RM634		nsp	nsp	METAL FILM RES.	22Ω, 1/2W	M0-22Ω-J-T52B	ERYC12J220V
RM635							
}		nsp	nsp	RES.	10Ω, 1/6W	RT13-10Ω-T26B	ERD16TJ100T
RM639							
RM701							
}		nsp	nsp	RES.	56kΩ, 1/6W	RT13-56KΩ-T26B	ERD16TJ563T
RM706							
				6.1CH/PRE OUT PCB			
CK101							
}		nsp	nsp	CERAMIC CAP.	50V, 220pF, SL	CC1-50V-06a-SL-220pFJ	ECCR1H221JY
CK108							
CK109		nsp	nsp	CERAMIC CAP.	50V, 100000pF, 2F4	CT1-50V-06a-2F4-100000pFZ	ECKR1H104Z06F
CK110		nsp	nsp	CERAMIC CAP.	50V, 100000pF, 2F4	CT1-50V-06a-2F4-100000pFZ	ECKR1H104Z06F
CK201		OA10605020	OA10605020	ELECT. CAP.	10μF, 50V	CD1101H100T5S0511	ECEA1HAE100MB
CK202		nsp	nsp	CERAMIC CAP.	50V, 220pF, SL	CC1-50V-06a-SL-220pFJ	ECCR1H221JY
CK203		nsp	nsp	CERAMIC CAP.	50V, 220pF, SL	CC1-50V-06a-SL-220pFJ	ECCR1H221JY
CK204		OA10605020	OA10605020	ELECT. CAP.	10μF, 50V	CD1101H100T5S0511	ECEA1HAE100MB
CK205		OA10605020	OA10605020	ELECT. CAP.	10μF, 50V	CD1101H100T5S0511	ECEA1HAE100MB
CK206		nsp	nsp	CERAMIC CAP.	50V, 220pF, SL	CC1-50V-06a-SL-220pFJ	ECCR1H221JY
CK207		nsp	nsp	CERAMIC CAP.	50V, 220pF, SL	CC1-50V-06a-SL-220pFJ	ECCR1H221JY
CK208		OA10605020	OA10605020	ELECT. CAP.	10μF, 50V	CD1101H100T5S0511	ECEA1HAE100MB
CK209		OA10605020	OA10605020	ELECT. CAP.	10μF, 50V	CD1101H100T5S0511	ECEA1HAE100MB
CK210		nsp	nsp	CERAMIC CAP.	50V, 220pF, SL	CC1-50V-06a-SL-220pFJ	ECCR1H221JY
CK213		OA10605020	OA10605020	ELECT. CAP.	10μF, 50V	CD1101H100T5S0511	ECEA1HAE100MB
CK214		nsp	nsp	CERAMIC CAP.	50V, 220pF, SL	CC1-50V-06a-SL-220pFJ	ECCR1H221JY
CK215		nsp	nsp	CERAMIC CAP.	50V, 220pF, SL	CC1-50V-06a-SL-220pFJ	ECCR1H221JY

NOTE : *nsp* PART IS LISTED FOR REFERENCE ONLY, MARANTZ WILL NOT SUPPLY THESE PARTS.

POS. NO	VERS. COLOR	PART NO. (FOR EUR)	PART NO. (MJI)	DESCRIPTION			
CK216		OA10605020	OA10605020	ELECT. CAP.	10µF, 50V	CD1101H100T5S0511	ECEA1HAE100MB
CK217							
}		nsp	nsp	CERAMIC CAP.	50V,100000pF,2F4	CT1-50V-06a-2F4-100000pFZ	ECKR1H104Z06F
CK220							
JFK01		nsp	nsp	CONNECTOR	9Pin,2.0mm,UL	PH09A-20E	VJS09PH01E
JFK02		nsp	nsp	CONNECTOR	11Pin,2.0mm,UL	PH11A-20E	VJS11PH01E
JK01		nsp	nsp	JUMPER WIRE			JPL0000
JK02		nsp	nsp	JUMPER WIRE			JPL0000
JRK01		*YT002910R	*YT002910R	TERMINAL	6P CINCH	AV6-8.4-13	VJJ01621
JRK03		*YT002890R	*YT002890R	TERMINAL	4P CINCH	AV4-8.4-13	VJJ01408
JRK04		*YT002890R	*YT002890R	TERMINAL	4P CINCH	AV4-8.4-13	VJJ01408
RK201							
}		nsp	nsp	RES.	100Ω,1/6W	RT13-100Ω-T26B	ERD16TJ101T
RK208							
RK209							
}		nsp	nsp	RES.	47kΩ,1/6W	RT13-47KΩ-T26B	ERD16TJ473T
RK215							
				STAND-BY PCB			
AW01		nsp	nsp	TERMINAL	GND LAG		FKV7.725.014
CW101		nsp	nsp	CERAMIC CAP.	50V,47000pF,2F4	CT1-50V-06a-2F4-47000pFZ	ECKR1H473Z06F
CW102		nsp	nsp	CERAMIC CAP.	50V,47000pF,2F4	CT1-50V-06a-2F4-47000pFZ	ECKR1H473Z06F
CW103		nsp	nsp	CERAMIC CAP.	50V,47000pF,2F4	CT1-50V-06a-2F4-47000pFZ	ECKR1H473Z06F
CW104		OA33505020	OA33505020	ELECT. CAP.	3.3uF 50V	CD1101H3R3T5S0511	ECEA1HAE3R3MB
CW106		OA22802520	OA22802520	ELECT. CAP.	2200µF,25V	CD1101E222S7S1625	ECEA1EHJ222MS
CW107		nsp	nsp	CERAMIC CAP.	50V,100000pF,2F4	CT1-50V-06a-2F4-100000pFZ	ECKR1H104Z06F
CW108		nsp	nsp	CERAMIC CAP.	50V,100000pF,2F4	CT1-50V-06a-2F4-100000pFZ	ECKR1H104Z06F
CW109		OA10701620	OA10701620	ELECT. CAP.	100µF, 16V	CD1101C101T5S0511	ECEA1CAE101MB
▲ CW110		*DK100750R	*DK100750R	CERAMIC CAP.	103pF,250VAC,X1Y2	CS17-F2GA103MYNS	ECDC103BMAGHF
CW111		nsp	nsp	CERAMIC CAP.	50V,100000pF,2F4	CT1-50V-06a-2F4-100000pFZ	ECKR1H104Z06F
CW112		nsp	nsp	CERAMIC CAP.	50V,100000pF,2F4	CT1-50V-06a-2F4-100000pFZ	ECKR1H104Z06F
▲ DW101							
▲ }		*HD201700R	*HD201700R	DIODE		1N4002	ODI1N4002
▲ DW106							
DW107		nsp	*HD201710R	DIODE		1N4148	ODI1N4148
DW108		*HD302120R	*HD302120R	ZENER DIODE		MTZJ777.5A	ODIMTZJ75AT77
▲ F1	/A/K/N	*FS000980R	*FS000980R	FUSE	250V,4A ,L=21mm	50T 040H/618 004.	VSF4R025001A
▲ F1	/F/L/U		*FS000990R	FUSE	125V,8A ,L=21mm		VSF8R012502C
▲ F2	/F/N	FS20200200	FS20200200	FUSE	2A, 250V	FS20200201	VSF2R025012EB
F2	/L/U		nsp	JUMPER WIRE			
▲ ICW01		HC3890509F	HC3890509F	IC	VOLTAGE REGULATOR	7805FA	OICNJM7805FA
JW01							
}		nsp	nsp	JUMPER WIRE			JPL0000
JW10							
JW101		nsp	nsp	CONNECTOR	2Pin,8mm,UL	TH2A-80E	VJS02TH01E
JW102		nsp	nsp	CONNECTOR	2Pin,8mm,UL	TH2A-80E	VJS02TH01E
JW103		nsp	nsp	CONNECTOR	2Pin,8mm,UL	TH2A-80E	VJS02TH01E
JW104		nsp	nsp	CONNECTOR	5Pin,2.5mm, UL	XH5A-25E	VJS05XH01E
QW101		HT317401L0	HT317401L0	TRANSISTOR		2SC1740STPR/2SC1740-R	OTR2SC1740S
▲ RE1		*LY000310R	*LY000310R	RELAY	12VDC	JZC33F/012-HS	VSY12JZC33FHS
RW101		nsp	nsp	RES.	4.7kΩ,1/6W	RT13-4.7KΩ-T26B	ERD16TJ472T
RW102		nsp	nsp	RES.	22kΩ,1/6W	RT13-22KΩ-T26B	ERD16TJ223T
RW104		nsp	nsp	RES.	1kΩ,1/6W	RT13-1KΩ-T26B	ERD16TJ102T
RW105		nsp	nsp	RES.	10kΩ,1/6W	RT13-10KΩ-T26B	ERD16TJ103T
▲ RW106	/U		*RC000030R	Discharge path RES.	2.2M ±10%	ERC12UGK225C	ERC12UGK225C
▲ TRW01	/A/N	*TS001760R	*TS001760R	BUCKUP TRANSF.	INPUT: 230VAC50Hz	YKP02223	VTPAT5003
▲ TRW01	/F		*TS001790R	BUCKUP TRANSF.	INPUT: 100VAC60Hz	SR4300-F1(Z11) S/B	VTPAT5033
▲ TRW01	/K		*TS001770R	BUCKUP TRANSF.	INPUT: 220VAC50Hz	SR4300-K1(Z11) S/B	VTPAT5013
▲ TRW01	/L		*TS001800R	BUCKUP TRANSF.	INPUT: 220VAC60Hz	SR4300-L1(Z11) S/B	VTPAT5042
▲ TRW01	/U		*TS001780R	BUCKUP TRANSF.	INPUT: 120VAC60Hz	SR4300-U1(Z11) S/B	VTPAT5023
▲	/N	*YJ002610R	*YJ002610R	CONNECTOR	MAINS OUTLET	YKE-31-0090	VJJ0911E
▲	/F/L/U		*YJ002620R	CONNECTOR	MAINS OUTLET	AC-182-UL-12V	VJJ0921E
				H/P OUT PCB			
CH01		nsp	nsp	CERAMIC CAP.	50V,100000pF,2F4	CT1-50V-06a-2F4-100000pFZ	ECKR1H104Z06F

NOTE : *nsp* PART IS LISTED FOR REFERENCE ONLY, MARANTZ WILL NOT SUPPLY THESE PARTS.

POS. NO	VERS. COLOR	PART NO. (FOR EUR)	PART NO. (MJI)	DESCRIPTION			
CH02		nsp	nsp	CERAMIC CAP.	50V,100000pF,2F4	CT1-50V-06a-2F4-100000pFZ	ECKR1H104Z06F
CH03		nsp	nsp	CERAMIC CAP.	50V,100000pF,2F4	CT1-50V-06a-2F4-100000pFZ	ECKR1H104Z06F
JH01		nsp	nsp	CONNECTOR	4Pin,2.0mm,UL	PH4A-20E	VJS04PH01E
MIC1		*YJ002630R	*YJ002630R	HEADPHONE JACK		CK3-6.35-041	VJJ02504
				STADBY LED PCB			
DF1		*HI101030R	*HI101030R	L.E.D.		GPR2703	ODIGPR2703
J1							
J		nsp	nsp	JUMPER WIRE			JPL0000
J4							
JS1		nsp	nsp	CONNECTOR	4Pin,2.0mm,UL	PH4A-20E	VJS04PH01E
				SURROUND PCB			
JFS1		nsp	nsp	CONNECTOR	4Pin,2.0mm,UL	PH04A-20WE	VJS04PH11E
RFS1		nsp	nsp	RES.	10k Ω ,1/6W	RT13-10K Ω -T26B	ERD16TJ103T
J		nsp	nsp	RES.	10k Ω ,1/6W	RT13-10K Ω -T26B	ERD16TJ103T
RFS4		nsp	nsp	RES.	10k Ω ,1/6W	RT13-10K Ω -T26B	ERD16TJ103T
SWS1		*SR000210R	*SR000210R	ROTARY SWITCH		R1612E-25D1-12C-P	EVAR1612E25D112CP
				POWER SW 2 PCB			
SP1	/F/L/U		*SP001180R	PUSH SWITCH		EVQ21505K1	EVQ21505K1
				POWER SW 1 PCB			
▲ CP1		*DK100760R	*DK100760R	CERAMIC CAP.	471pF,250VAC,X1Y1	CD95-B2GA471KYNS	ECDD471BKCHF
JFL1		nsp	nsp	CONNECTOR	2Pin,8mm,UL	TH2A-80E	VJS02TH01E
▲ SWP1	/A/K/N	*SP001190R	*SP001190R	PUSH SWITCH	8A,250VAC	PS4E-E-072	ESBPS4EB07201
				TUNER MODULE			
	/U		*AV000230R	TUNER	AM/FM TUNER	KST-MB014MA0-0	TUNMB014MA00
	/K/L		*AV000240R	TUNER	AM/FM TUNER	KST-MB014MA1-0	TUNMB014MA10
	/A/N	*AV000250R	*AV000250R	TUNER	AM/FM TUNER	KST-MB114LA1-0	TUNMB114LA10
	/F		*AV000260R	TUNER	AM/FM TUNER	KST-MB015MA1-0	TUNMB015MA10

NOTE : "nsp" PART IS LISTED FOR REFERENCE ONLY, MARANTZ WILL NOT SUPPLY THESE PARTS.